

FLEX MIDI® FUSE HOLDER

32V DC • 200A • In-Line • Interlocking for Multi-Pole Fuse Holder Assemblies



Description

The FLEX MIDI® fuse holder is used with the MIDI® style bolt-down fuse, which is available up to 200A. This holder offers a flexible cover, which allows cable entry from virtually any direction, large wire size, and ring terminal stack up. Slots on the base allow holder to be mounted with tie wraps. Dovetail features allow you to interlock multiple FLEX MIDI® fuse holders together for a high power distribution block. Bus bars are available for multiple holder applications.

Features and Benefits

- Flexible cover allows for cable entry from virtually any direction allowing for easier installation.
- Dovetail features allow you to interlock multiple Flex holders together to create a high power distribution block. Combine with the Flex-MEGA® fuse holder for a high and low amperage solution.
- Slots are molded into the base that allow the holder to be securely mounted with tie-wraps.
- Zinc plated steel hardware and tin-plated 100% pure copper optimize long-term corrosion protection.

Ordering Information

PART NUMBER	DESCRIPTION	MATERIAL (STUDS AND HARDWARE)
04981038HXFC	Complete Assembly	Zinc-Plated Steel
04982001ZXFC*	2-Pole Complete Assembly (2 holders, 2 position bus bar; fuses not included)	Zinc-Plated Steel
882-267-002*	2 Position Bus Bar	Tin Plated Copper
882-267-003*	3 Position Bus Bar	Tin Plated Copper
882-267-004*	4 Position Bus Bar	Tin Plated Copper
882-267-005*	5 Position Bus Bar	Tin Plated Copper

*Special Order

Specifications Overview

Max Voltage Rating:	32V DC
Max Current Rating:	200A
Wire Size:	8 mm ² to 35 mm ²
Stud Torque:	3-5.0 Nm (M5 Threads)
Mounting Torque:	5 Nm (M4 Bolts & Washers)
Operating Temp:	-40 to +125 °C
Flammability Rating:	UL94 V-0
Dimensions:	78.4 x 29.9 x 38.3 mm

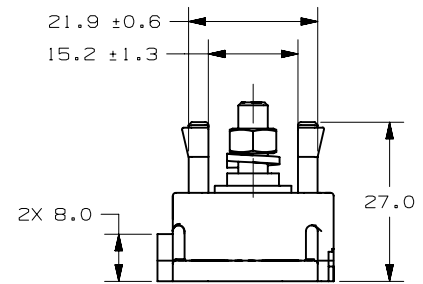
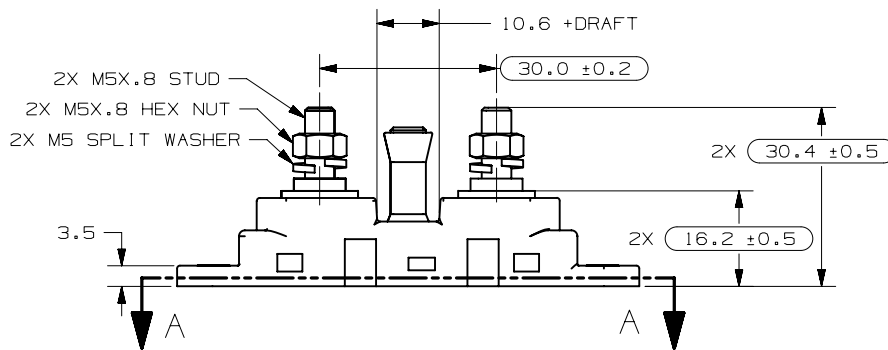
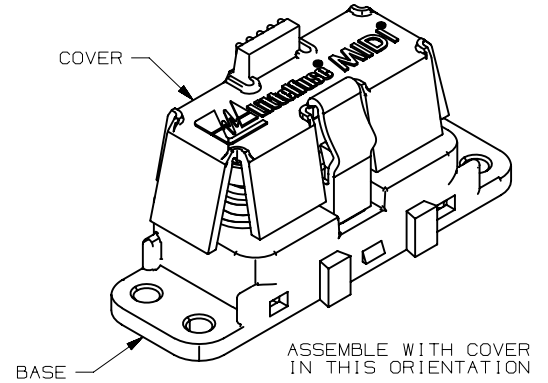
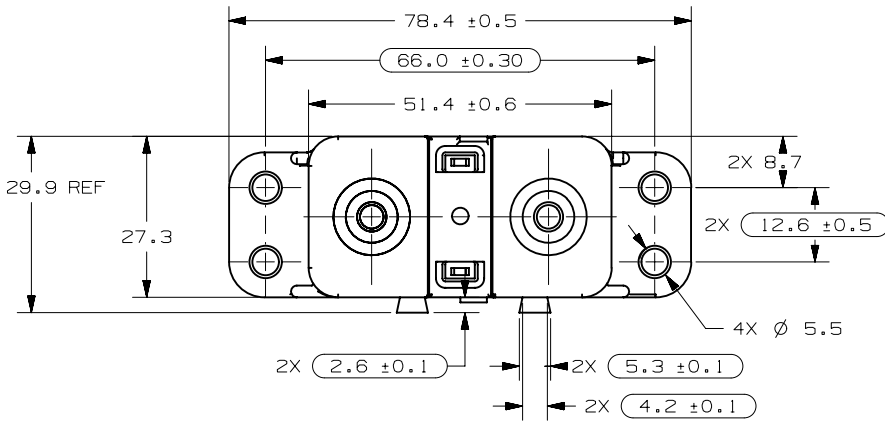
Recommended Fuses

- Littelfuse series: MIDI® 498 Series, BF1 Series
- Also accepts competitive cross-reference equivalent fuses

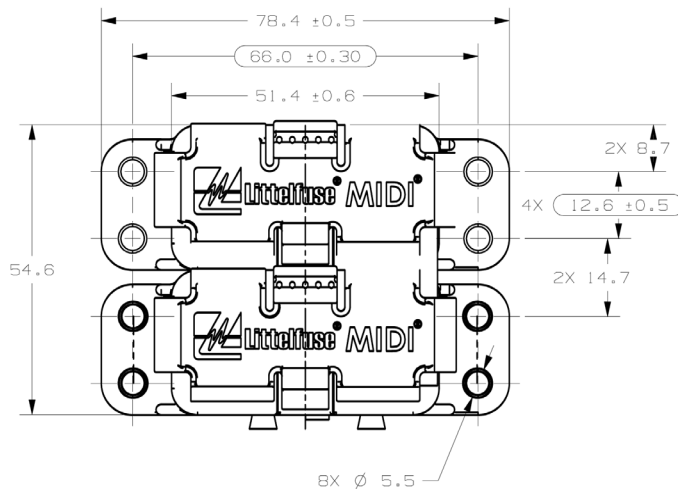
Web Resources

Download 2D outline and additional technical resources at:
littelfuse.com/flex-midi

Dimensions in millimeters



Shown interlocked



Visit Littelfuse.com for the most up-to-date product information. Littelfuse reserves the right to make product changes, without notice. Material in this document is as accurate as known at the time of publication.

X-ON Electronics

Largest Supplier of Electrical and Electronic Components

Click to view similar products for [Fuse Holder Accessories](#) category:

Click to view products by [Littelfuse](#) manufacturer:

Other Similar products are found below :

[BK/1A1337](#) [1A1853](#) [1A4421](#) [1A5220](#) [903-048](#) [1A1337](#) [1A4544](#) [1A5220-01](#) [CO2-10](#) [CO3-03](#) [348897](#) [B072-7007](#) [BK/1A4421](#) [BK/9732](#)
[X30110](#) [09030012H](#) [09050023H](#) [00970021HXNVDL](#) [00BS0232P](#) [CO2-04](#) [BK1A1853](#) [BK9834](#) [0880.0001](#) [00970053XP](#) [3566C](#)
[00970053H](#) [04450718ZX900](#) [CH10CL](#) [BP/FP-3](#) [58600000005](#) [33-012C](#) [880140](#) [00970023S](#) [880150](#) [PDM71009ZXM](#) [B109-7091-4](#) [B109-](#)
[7091-6](#) [B109-7091-5](#) [901-524](#) [CVR-RH-25100](#) [LFH60030FBC](#) [03540514Z](#) [03540526Z](#) [03540531Z](#) [03540541Z](#) [03540525Z](#) [03540537Z](#)
[03540539Z](#) [03540540Z](#) [FEH](#)