

35A NORMALLY OFF PUSHBUTTON SWITCHES



9095

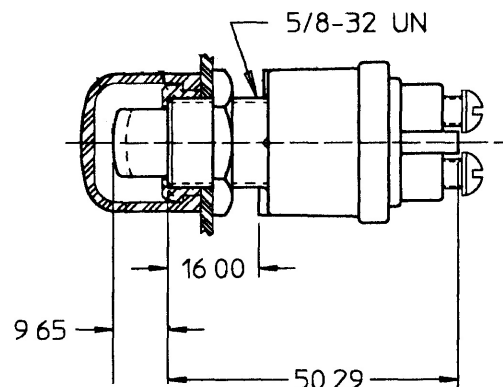
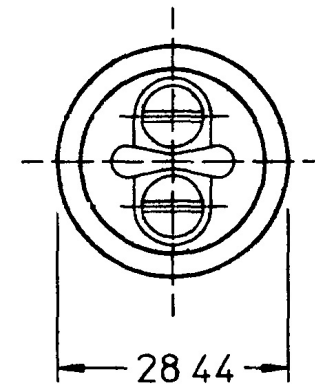
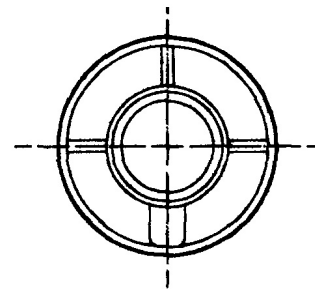


9245 with rubber cap

Description

Normally Off switches (Normally Open) are push to operate, spring return to Off, and have cylindrical diecast body with 5/8"-32 mounting stem.

Specifications	
Housing	Cylindrical diecast body
Circuitry	Off - On, Normally Off. On with button depressed, spring return to Off.
Rating	35A at 12V DC, 20A at 24V DC
Contacts	Silver
Button & facenut	Chrome-plated except where noted



9245 dimensions

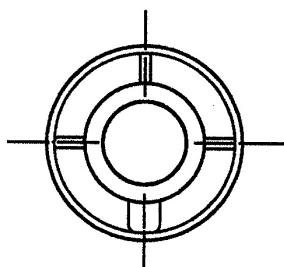
35A NORMALLY OFF PUSHBUTTON SWITCHES

Ordering information

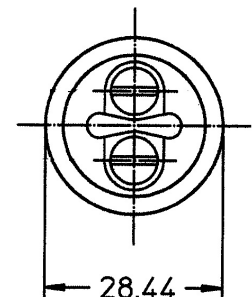
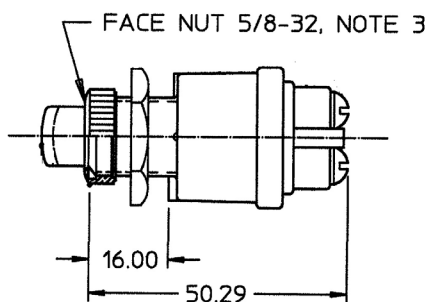
Part No.	Type	Mounting	Terminals	Notes
9023 9023-BX	SPST Normally Off	5/8"-32 0.87"L (22.1mm)	2 screws	15A resistive, 10A inductive at 12V DC, 8A resistive, 5A inductive at 24V DC
<i>9023-09</i>	<i>SPST Normally Off</i>	<i>5/8"-32 0.87"L (22.1mm)</i>	<i>2 screws</i>	<i>15A resistive, 10A inductive at 12V DC, 8A resistive, 5A inductive at 24V DC. With screw-on black cap 83280-03</i>
9095 9095-BX	SPST Normally Off	5/8"-32 21/32"L (16.7mm)	2 screws	
<i>9155</i>	<i>SPST Normally Off</i>	<i>5/8"-32 21/32"L (16.7mm)</i>	<i>2 screws</i>	<i>With large button</i>
9216 9216-BX	SPST Normally Off	5/8"-32 21/32"L (16.7mm)	2 screws	O-ring seal in mounting stem
9216-03 9216-03-BX	SPST Normally Off	5/8"-32 21/32"L (16.7mm)	2 screws	O-ring seal in the mounting stem, and screw-on black rubber cap (83280-03)
9231 9231-BX	SPST Normally Off	5/8"-32 21/32"L (16.7mm)	2 screws	With recessed facenut to protect button.
9238 9238-BX	SPST Normally Off	5/8"-32 0.87"L (22.1mm)	2 blades	15A resistive, 10A inductive at 12V DC, 8A resistive, 5A inductive at 24V DC
<i>9238-01</i>	<i>SPST Normally Off</i>	<i>5/8"-32 0.87"L (22.1mm)</i>	<i>2 blades</i>	<i>15A resistive, 10A inductive at 12V DC, 8A resistive, 5A inductive at 24V DC. With black rubber screw-on cap 83280-03</i>
9245 9245-BP 9245-BX	SPST Normally Off	5/8"-32 21/32"L (16.7mm)	2 screws	O-ring seal in the mounting stem, and snap-on black rubber cap (407-03)
<i>90000-01</i>	<i>SPST Normally Off</i>	<i>5/8"-32 21/32"L (16.7mm)</i>	<i>2 screws</i>	<i>With recessed facenut to protect button. O-ring seal</i>
<i>90011</i>	<i>SPST Normally Off</i>	<i>5/8"-32 5/8"L (15.9mm)</i>	<i>2 male buttons accept Delphi 2962679</i>	<i>Black plastic button</i>
90030 90030-BP 90030-BX	SPST Normally Off	5/8"-32 21/32"L (16.7mm)	2 screws	With plastic button and screw-on cap 83280-03
90030-01 90030-01-BX	SPST Normally Off	5/8"-32 21/32"L (16.7mm)	2 screws	With plastic button and screw-on brown oil-resistant cap 83280-05
<i>90030-04</i>	<i>SPST Normally Off</i>	<i>5/8"-32 21/32"L (16.7mm)</i>	<i>2 screws</i>	<i>With plastic button and red screw-on cap 83280-02</i>
90036-02 90036-02-BX	SPST Normally Off	5/8"-32 21/32"L (16.7mm)	2 blades fit Delphi 2973407	

Items in italics are available by Special Order only

Part numbers without suffix are supplied bulk; numbers with BX suffix are individually boxed; numbers with BP suffix are in retail pack



9095 dimensions



X-ON Electronics

Largest Supplier of Electrical and Electronic Components

Click to view similar products for [Pushbutton Switches](#) category:

Click to view products by [Littelfuse](#) manufacturer:

Other Similar products are found below :

[8940K2012](#) [LW1L-M1C10V-A](#) [LW1L-M1C70-A](#) [LW2L-A1C20M-GD](#) [LW2L-M1C20M-A](#) [60324L](#) [M22-D-R-GB0/K11](#) [M7E-HRN2](#)
[67021K512](#) [67081K512X](#) [701PB580](#) [7190K101](#) [7199K101](#) [810K12910](#) [810KSV30B](#) [MML21EA2ADK](#) [MML21KA3ABK](#)
[MML23KA3AC05K-001](#) [MML23KW3AA01W](#) [8418K2](#) [8442K3](#) [8450K1](#) [860K11911T01A](#) [861901](#) [861K11911T01A07](#)
[861K13810T00A14](#) [861K13911](#) [8646AB6X718UL](#) [8646ABUL](#) [9001KXRK](#) [907AYY100](#) [PMHD155A1](#) [95-313.000](#)
[9533CD4+U574+U4922](#) [95-414.000](#) [99-450.837](#) [99-453.837](#) [PV3H2B0NN-341](#) [1203MRA](#) [A22NZBGANGA](#) [A22NZBMMNGA](#)
[A22NZBNANGA](#) [A22NZMPATRA](#) [A2PMA1X03EC56](#) [A3A-5123-02](#) [A3A-7140](#) [A3A-7310](#) [A3A-7340](#) [A3U-TMW-A2C-5M](#) [A595](#)