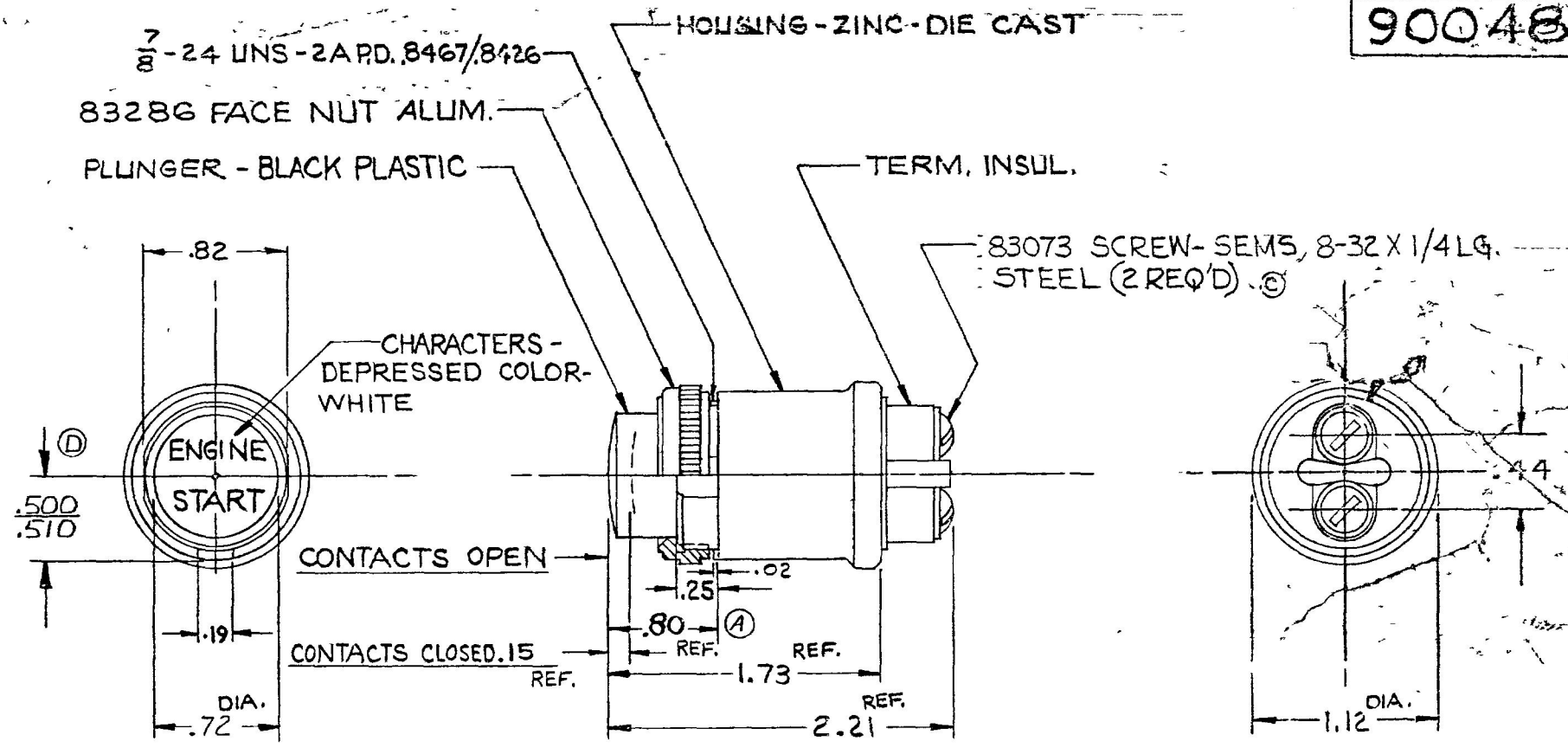


COLE-HERSEE CO.

Ex 16421 & 21A

90047  
90048



FRONT VIEW OF 90047 LESS FACE NUT

90048 SAME AS 90047 EXCEPT ENGINE IMPRINTING AS SHOWN ON RED PLUNGER

STOP

20 AMPS	24 VDC
35 AMPS	12 VDC
CURRENT RATING	

- NOTES.
1. ALL STEEL PARTS EITHER ZINC PLT. WITH DICH. DIP. OR CAD. PLT.
  2. ALL CONTACT SURFACES SILVER
  3. SWITCH TO FIT PANELS .04 TO .10 THK.

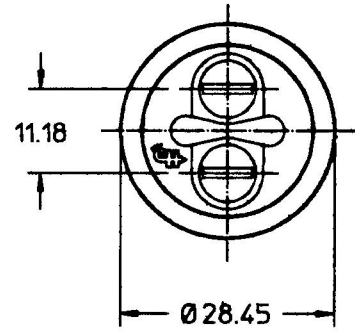
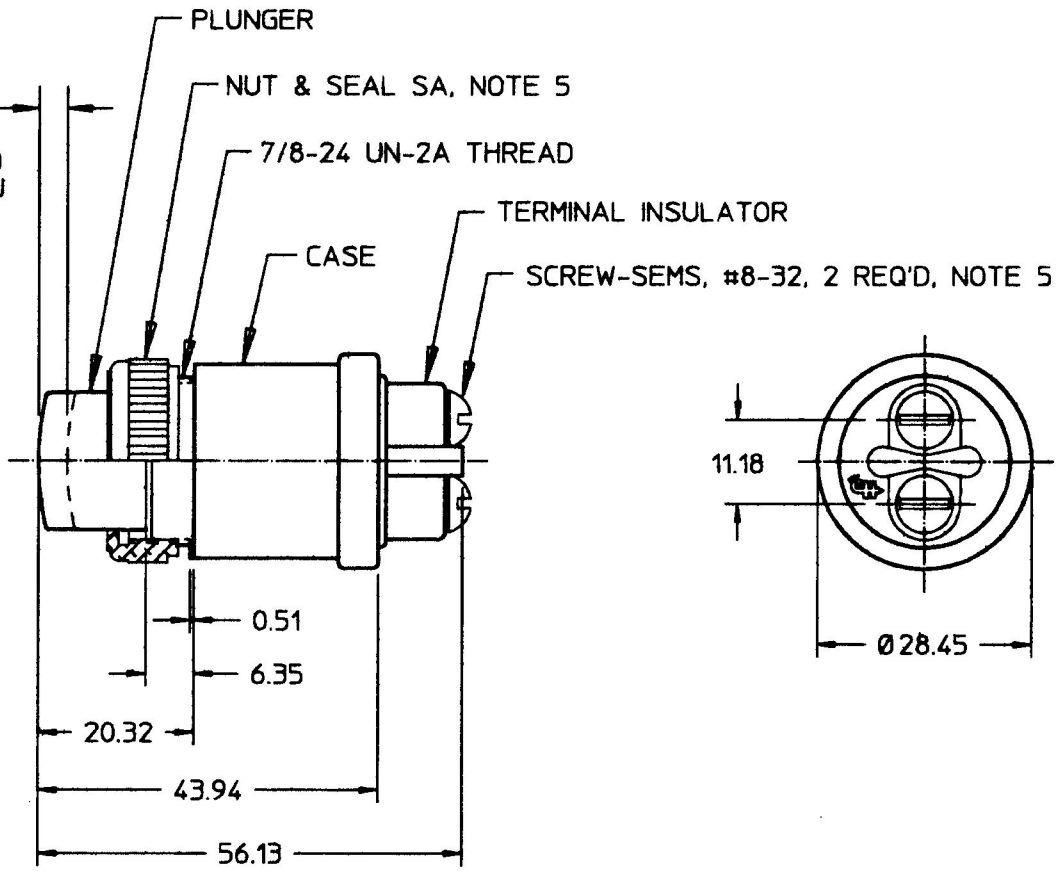
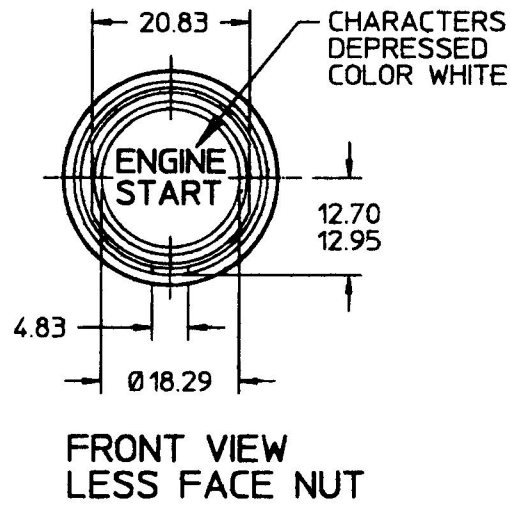
DO NOT SCALE

LET	WAS	DATE	BY	LET	WAS	DATE	BY	MATERIAL	DRAWN	CHECKED	APPRV'D	SCALE	DATE DRAWN
				D	ADD 500 5.0	21330	3-10-81	NOTED	RW	RE		1"=1"	6-26-72
				C	REV. 19288		1-20-76	FINISH NOTED	<b>COLE-HERSEE COMPANY</b> BOSTON, MASS 02127, U.S.A.				DATE BLUEPRINT
				B	ADD RATING		8-21-75						
				A	66 REF. 117846		8-23-72	TOLERANCES FRACTIONAL ± DECIMAL ± .01	MOMENTARY		SWITCH		90047
					ISSUED		6-29-72						

90047-01

MM	IN
0.51	0.020
3.81	0.150
4.83	0.190
6.35	0.250
11.18	0.440
12.70	0.500
12.95	0.510
18.29	0.720
20.32	0.800
20.83	0.820
28.45	1.120
43.94	1.730
56.13	2.210

CONTACTS NORMALLY OPEN, CLOSED WHEN PLUNGER IS DEPRESSED 3.87 APPROX. AND THRU REMAINDER OF TRAVEL



- NOTES:
1. ALL STEEL PARTS PLATED
  2. ALL DIMENSIONS ARE REFERENCE ONLY
  3. ALL CONTACT SURFACES SILVER
  4. SWITCH TO FIT PANELS 1.016 TO 2.54 THK
  5. PARTS MAYBE ASSEMBLED OR SUPPLIED IN BAG

METRIC

DO NOT SCALE

LET.	WAS	DATE	BY	LET.	WAS	DATE	BY	MATERIAL	DRAWN	CHK	APVD	SCALE	BASIC W/LIP SEAL & NUT ASSY	DATE DRAWN
									TC	Jmp		1:1		6/11/73
								FINISH	<b>Cole Hersee Co.</b> 20 OLD COLONY AVENUE, BOSTON, MA., U.S.A., 02127					DATE BLUEPRINTED
								TOLERANCES	SWITCH, MOM, N.O. 90047-01					
				E	PUT ON CAD ECN #26936	7/23/97	AJS	DECIMAL ± ANGLE ±						

**90048**

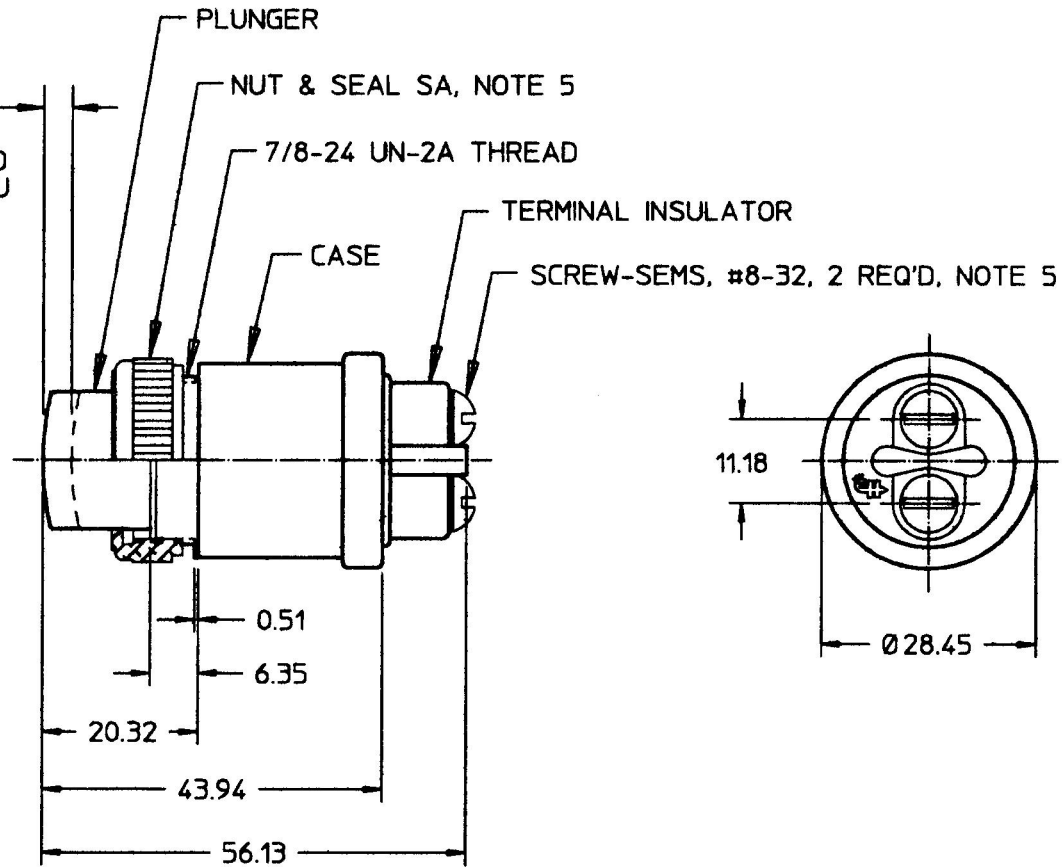
**SEE DRAWING**

**90047**

90048-01

MM	IN
0.51	0.020
3.81	0.150
4.83	0.190
6.35	0.250
11.18	0.440
12.70	0.500
12.95	0.510
18.29	0.720
20.32	0.800
20.83	0.820
28.45	1.120
43.94	1.730
56.13	2.210

CONTACTS NORMALLY OPEN, CLOSED WHEN PLUNGER IS DEPRESSED 3.87 APPROX. AND THRU REMAINDER OF TRAVEL



- NOTES:
1. ALL STEEL PARTS PLATED
  2. ALL DIMENSIONS ARE REFERENCE ONLY
  3. ALL CONTACT SURFACES SILVER
  4. SWITCH TO FIT PANELS 1.016 TO 2.54 THK
  5. PARTS MAYBE ASSEMBLED OR SUPPLIED IN BAG

METRIC

DO NOT SCALE

LET.	WAS	DATE	BY	LET.	WAS	DATE	BY	MATERIAL	DRAWN	CHK	APVD	SCALE	BASIC W/LP SEAL & NUT ASSY	DATE DRAWN
									TC			1:1		6/11/73
								FINISH	<b>Cole Hersee Co.</b> 20 OLD COLONY AVENUE, BOSTON, MA., U.S.A., 02127				DATE BLUEPRINTED	
								TOLERANCES DECIMAL ± ANGLE ±	SWITCH, MOM, N.O.				90048-01	
				E	PUT ON CAD FCN #26936	7/23/97	AJS							

## X-ON Electronics

Largest Supplier of Electrical and Electronic Components

*Click to view similar products for [Pushbutton Switches](#) category:*

*Click to view products by [Littelfuse](#) manufacturer:*

Other Similar products are found below :

[8940K2012](#) [LW1L-M1C10V-A](#) [LW1L-M1C70-A](#) [LW2L-A1C20M-GD](#) [LW2L-M1C20M-A](#) [60324L](#) [M22-D-R-GB0/K11](#) [M7E-HRN2](#)  
[67021K512](#) [67081K512X](#) [701PB580](#) [7190K101](#) [7199K101](#) [810K12910](#) [810KSV30B](#) [MML21EA2ADK](#) [MML21KA3ABK](#)  
[MML23KA3AC05K-001](#) [MML23KW3AA01W](#) [8418K2](#) [8442K3](#) [8450K1](#) [860K11911T01A](#) [861901](#) [861K11911T01A07](#)  
[861K13810T00A14](#) [861K13911](#) [8646AB6X718UL](#) [8646ABUL](#) [9001KXRK](#) [907AYY100](#) [PMHD155A1](#) [95-313.000](#)  
[9533CD4+U574+U4922](#) [95-414.000](#) [99-450.837](#) [99-453.837](#) [PV3H2B0NN-341](#) [1203MRA](#) [A22NZBGANGA](#) [A22NZBMMNGA](#)  
[A22NZBNANGA](#) [A22NZMPATRA](#) [A2PMA1X03EC56](#) [A3A-5123-02](#) [A3A-7140](#) [A3A-7310](#) [A3A-7340](#) [A3U-TMW-A2C-5M](#) [A595](#)