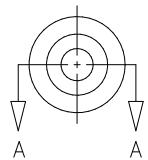
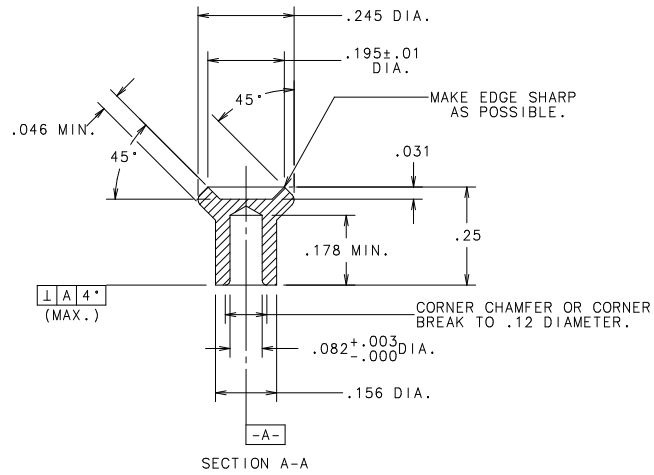


| PART No. | FINISH SPECIFICATIONS | CONTACT RIVET |
|-------------|-----------------------------------|---------------|
| 904-216 | NONE - FREE OF OIL & CONTAMINANTS | N/A |
| 904-216-001 | ES-001001 NI | 904-216 |
| 904-216-002 | ES-001001 | 904-216 |



NOTES:
 1. THIS RIVET IS SIMILAR TO 904-197 WITH EXCEPTION OF HOLE SIZE.

| DESCRIPTION | | QTY/M | U/M |
|---------------|--|-------|-----|
| CONTACT RIVET | | | |

| BILL OF MATERIAL | | | |
|------------------|-----|------------|----------|
| MATERIAL SPEC | | FINISH | |
| CDPIES TO | DRW | SCALE | 4:1 |
| 1 | 9 | DATE | 10/12/95 |
| 2 | 10 | REFR | |
| 3 | 12 | CHK | |
| 4 | 13 | APPD | |
| 5 | 14 | RAW STK WT | LBS/M |
| 6 | 15 | | |
| 7 | 16 | | |
| 8 | 17 | | |
| 8 | 17 | | |

| REVISION | | CHK | APD |
|----------|---|-----|-----|
| LTR | 06866 - RELEASED -904-216-002 & REFRAN ON CAD. 10/12/95 | | |
| M | 84353C-CHG PLATING TO BE OUT SOURCED 7/27/95 LDL | MP | CP |

| TITLE | | DESIGNER | DRWG. NO. |
|---------------|--|----------|-----------|
| CONTACT RIVET | | M | 904-216 |

CPK DENOTES CP DIMENSIONS.-MINIMUM CP VALUE
 LTR DENOTES LTR DIMENSIONS.-MINIMUM LTR VALUE
 M DENOTES M DIMENSIONS.-MINIMUM M VALUE

SEE CHART FOR DIMENSIONS SHOWN ON DRAWING, AND ALL DIMENSIONS ARE TO BE MAXIMUM TOLERANCE UNLESS OTHERWISE SPECIFIED-DIMENSIONS DO NOT INCLUDE PLATING.

UNLESS OTHERWISE SPECIFIED-DIMENSIONS DO NOT INCLUDE PLATING.

CONTROLLED DOCUMENT

X-ON Electronics

Largest Supplier of Electrical and Electronic Components

Click to view similar products for [Fuse Holder Accessories](#) category:

Click to view products by [Littelfuse](#) manufacturer:

Other Similar products are found below :

[BK/1A1337](#) [1A1853](#) [1A4421](#) [1A5220](#) [903-048](#) [1A1337](#) [1A4544](#) [1A5220-01](#) [CO2-10](#) [CO3-03](#) [348897](#) [B072-7007](#) [BK/1A4421](#) [BK/9732](#)
[X30110](#) [09030012H](#) [09050023H](#) [00970021HXNVDL](#) [00BS0232P](#) [CO2-04](#) [BK1A1853](#) [BK9834](#) [0880.0001](#) [00970053XP](#) [3566C](#)
[00970053H](#) [04450718ZX900](#) [CH10CL](#) [BP/FP-3](#) [58600000005](#) [33-012C](#) [880140](#) [00970023S](#) [880150](#) [PDM71009ZXM](#) [B109-7091-4](#) [B109-](#)
[7091-6](#) [B109-7091-5](#) [901-524](#) [CVR-RH-25100](#) [LFH60030FBC](#) [03540514Z](#) [03540526Z](#) [03540531Z](#) [03540541Z](#) [03540525Z](#) [03540537Z](#)
[03540539Z](#) [03540540Z](#) [FEH](#)