

MAXI STYLE SPLASH RESISTANT FUSE HOLDER

For MAXI® Blade Fuses



Description

The Inline Splash Resistant Fuse Holder provides an efficient, simple installation method for MAXI® / FK3-style fuse applications in harsh under-the-hood environments. Protected to IP54 rating.

- * PA66-GF30: heat resistant
- ** UL 94-V0: self extinguishing

Recommended Fuse

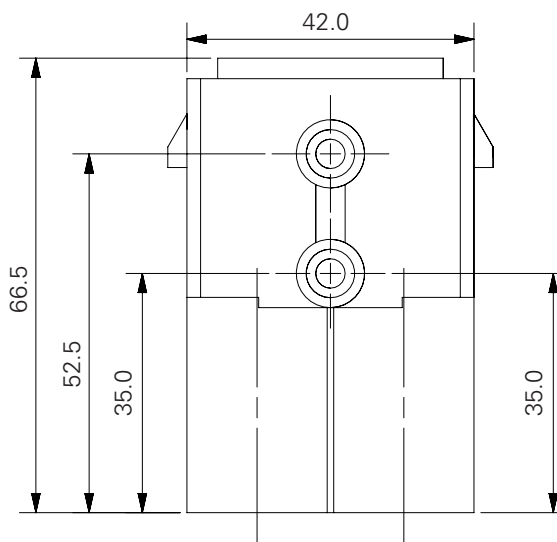
MAXI® Blade Fuses
Voltage Rating: 60A-80A



Ordering Components

PART NUMBER	DESCRIPTION	PACKAGE SIZE
01520903TXN	PA66-GF30* Inline Splash Resistant Fuse Holder Cover	10
868-905	Wire seals for wire Ø 2.5 - 6 mm ² ,	1000
08680905TXN	Wire seals for wire Ø 2.5 - 6 mm ²	10
868-906	Wire seals for wire Ø 6 - 10 mm ²	1000
08680906TXN	Wire seals for wire Ø 6 - 10 mm ²	10

Dimensions in mm



Ordering Information

PART NUMBER	DESCRIPTION	CURRENT RATING	VOLTAGE RATING	PACKAGE SIZE
01520003U	Fuse Holder Body w/ Molded Holes	80A	32VDC	500
01520003TXN941	01520003_ Fuse Holder Kit w/ cover & wire seals for 4-6mm ² wire	80A	32VDC	10
01520003TXN942	01520003_ Fuse Holder Kit w/ cover & wire seals for 6-10mm ² wire	80A	32VDC	10
01520004Z	60A Fuse Holder Body w/ Molded Mounting Tabs & 6mm Hole	60A	32VDC	250
01520005Z	60A Fuse Holder Body	60A	32VDC	250
01520006Z	60A Fuse Holder Body w/ Molded Mounting Tabs	60A	32VDC	250
01520007Z	Cover & O-Ring Assembly	—	—	750
279.6800.0002	** UL94-V0 Holder Housing	80A	—	100
279.6850.0402	Assortment: Fuse Holder 279.6800.000 with seals and cover for 4mm ²	80A	—	10
279.6850.0602	Assortment: Fuse Holder 279.6800.000 with seals and cover for 6-10mm ²	80A	—	10
279.6850.1602	Assortment: Fuse Holder 279.6800.000 with seals and cover for 16mm ²	80A	—	10

X-ON Electronics

Largest Supplier of Electrical and Electronic Components

Click to view similar products for [Automotive Connectors](#) category:

Click to view products by [Littelfuse](#) manufacturer:

Other Similar products are found below :

[003-018-000](#) [60403001](#) [60993906-B](#) [M902-2131](#) [M902-2161](#) [72.330.1035.1](#) [73.353.4028.0](#) [F119300-B](#) [F166900](#) [F258300-B](#) [F358300-B](#)
[F407400](#) [F444110](#) [F487000](#) [F509500B-B](#) [827153-1](#) [8N1515-32-24P](#) [9-1326729-8](#) [925474-1](#) [928905-1](#) [964562-4](#) [968782-1](#) [GT17SA-8DS-](#)
[HU](#) [98891-1012](#) [98947-1016](#) [12004475-L](#) [12010290](#) [12010309-B](#) [12015454](#) [12020219-B](#) [12020308](#) [12041318-B](#) [12052225-L](#) [12052466](#)
[12059125](#) [12064869](#) [12004327-B](#) [12010503-B](#) [12015308](#) [12015384](#) [12015909](#) [1-21030-1](#) [12041254](#) [12041318](#) [12047946-B](#) [12047957](#)
[12047957-L](#) [12059473](#) [12066261](#) [12110546](#)