

EL3100 SERIES

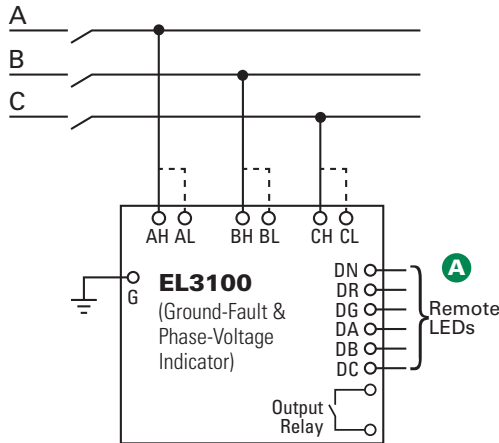
Ground-Fault & Phase-Voltage Indicator



Description

The EL3100 is a self-powered ground-fault and phase-voltage indication system for 3-phase systems. The EL3100 meets the National Electrical Code (NEC) and the Canadian Electrical Code (CEC) requirements for ground detectors for ungrounded alternating-current systems. Voltage connections are provided on the EL3100 for 208, 240, 480, and 600-V systems. Three green LED's on the EL3100 indicate the presence of phase-to-ground voltage and one red LED indicates a ground fault. The EL3100 can operate stand-alone or with up to five remote LED indicators. A solid-state relay output provides indication of a ground fault. The output relay is closed when the 3-phase neutral voltage shifts as the result of ground leakage.

Simplified Circuit Diagram



Features & Benefits

FEATURES	BENEFITS
NEC® and CEC Code compliant	Meets National Electrical Code (NEC®) Article 250.21 and Canadian Electrical Code Part 1, Section 10-106 (2) requirements for ungrounded systems
Low-voltage remote LEDs	System voltage is not present at the remote LED location
Phase-voltage indication	Indicates the presence of voltage on both grounded and ungrounded systems
Output relay	Allows for remote ground-fault indication

Ordering Information

ORDERING NUMBER	MOUNTING
EL3100-00	DIN, Surface
ACCESSORIES	REQUIREMENT
RK-310X-0Y	Optional

Note: X=R for red LED and G for green LED
Y=0 for no label and 1 for a ground-fault label

Accessories



Remote LEDs
High-intensity 16-mm IP67 LED lamps available in red and green colors.

Specifications

Input Voltage	Input L: 208/240 Vac Input H: 480/600 Vac
Dimensions	H 87.0 mm (3.43") W 112.5 mm (4.43") D 56.0 mm (2.2")
Approvals	CSA certified, UL Listed (E340889)
Conformally Coated	Standard feature
Warranty	5 years
Mounting	DIN, Surface

X-ON Electronics

Largest Supplier of Electrical and Electronic Components

Click to view similar products for [Circuit Breakers](#) category:

Click to view products by [Littelfuse](#) manufacturer:

Other Similar products are found below :

[LUGZX66-1-61-20.0-44](#) [M39019/01-201S](#) [M39019/01-221](#) [M39019/01-323](#) [M39019/01-333](#) [M39019/01-336](#) [M39019/02-248](#) [M39019/02-311](#) [M39019/02-316](#) [M39019/04-249S](#) [M39019/05-246S](#) [M39019/06-254S](#) [M55629/1-016](#) [M55629/1-018](#) [M55629/1-021](#) [M55629/1-033](#) [M55629/1-036](#) [M55629/1-046](#) [M55629/1-048](#) [M55629/1-058](#) [M55629/1-067](#) [M55629/1-070](#) [M55629/1-079](#) [M55629/1-084](#) [M55629/1-085](#) [M55629/1-101](#) [M55629/1-109](#) [M55629/11-102](#) [M55629/1-120](#) [M55629/12-045](#) [M55629/12-046](#) [M55629/1-330](#) [M55629/1-366](#) [M55629/1-387](#) [M55629/1-401](#) [M55629/1-450](#) [M55629/2-022](#) [M55629/2-030](#) [M55629/2-072](#) [M55629/2-082](#) [M55629/2-099](#) [M55629/20-LL](#) [M55629/2-101](#) [M55629/2-102](#) [M55629/21-BM-BM](#) [M55629/21-HM-HM](#) [M55629/21-NS-NS](#) [M55629/22-NR-NR-NR](#) [M55629/22-RS-RS-RS](#) [M55629/2-347](#)