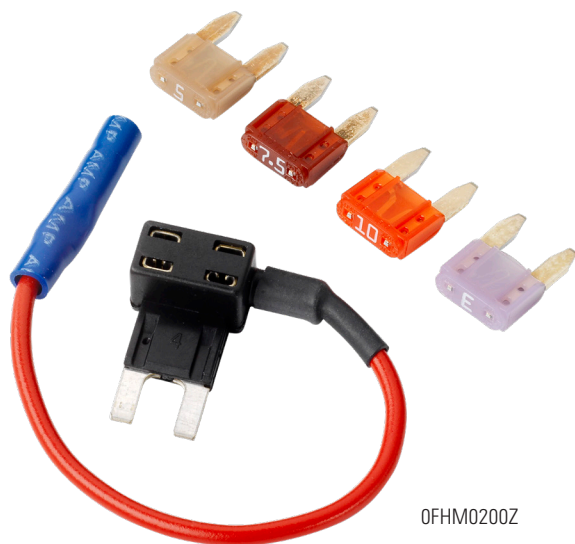


ADD-A-CIRCUIT MINI/MICRO2 FUSE HOLDER



0FHM0200Z

Description

Add-A-Circuit MINI / LPMINI / MICRO2 Fuse Holder Kits allow for easy installation of additional circuits without any cutting or splicing of existing wire (thus maintaining new car warranty). Turns one fuse slot into two while providing protection to both resulting circuits. Blister Pack Kit comes packaged with 3A, 5A, 7.5A, and 10A fuses of the corresponding fuse style.

Web Resources

Download 2D print and technical resources at: littelfuse.com/MINI-AddACircuit

Ordering Information

PART NUMBER	DESCRIPTION	WIRE SIZE
0FHM0200Z	Add-A-Circuit MINI Fuse Holder Bulk Packaging	16 AWG
0FHM0200ZP	Add-A-Circuit MINI Fuse Holder Kit Blister Packaging	16 AWG
FHLM0200Z	Add-A-Circuit Low Profile MINI Fuse Holder - Bulk Packaging	18 AWG
FHLM0200ZPA	Add-A-Circuit Low Profile MINI Fuse Holder Kit - Blister Packaging	18 AWG
FHM20200Z	Add-A-Circuit MICRO2 Fuse Holder Bulk Packaging	16 AWG
FHM20200ZPA	Add-A-Circuit MICRO2 Fuse Holder Kit Blister Packaging	16 AWG

Features and Benefits

- Adds additional circuit without cutting/splicing
- Protects both resulting circuits
- Butt splice connectors for easy wiring
- UL1015-Rated wire leads
- Blister Packaged Kit comes with 3A, 5A, 7.5A, and 10A fuses

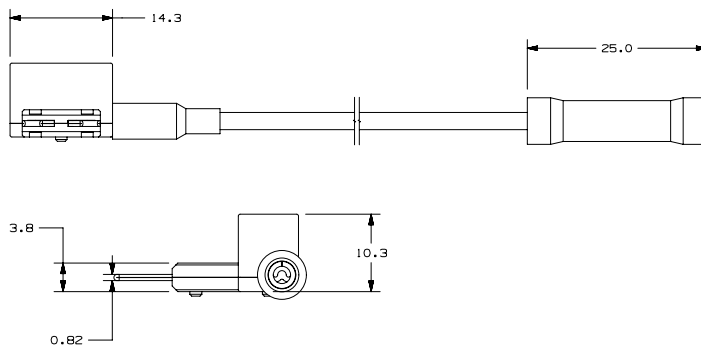
Specifications Overview

Max Fuse Rating:	10A
Max Voltage:	32V DC
Wire Size:	16 AWG 18 AWG
Wire Color:	Red

Applications

- Add-on Accessory Circuit

Dimensions in MM



Recommended Fuses



MINI & LP MINI Fuses

littelfuse.com/MINI
littelfuse.com/LPMINI

MICRO2 Fuses

littelfuse.com/MICRO2



Visit Littelfuse.com for the most up-to-date product information. Littelfuse products are designed for specific applications and should not be used for any purpose (including, without limitation, automotive applications) not expressly set forth in applicable Littelfuse product documentation. Warranties granted by Littelfuse shall be deemed void for products used for any purpose not expressly set forth in applicable Littelfuse product documentation. Littelfuse shall not be liable for any claims or damages arising out of products used in applications not expressly intended by Littelfuse as set forth in applicable Littelfuse product documentation.

X-ON Electronics

Largest Supplier of Electrical and Electronic Components

Click to view similar products for [Fuse Holder Accessories](#) category:

Click to view products by [Littelfuse](#) manufacturer:

Other Similar products are found below :

[BK/1A1337](#) [1A1853](#) [1A4421](#) [1A5220](#) [903-048](#) [1A1337](#) [1A4544](#) [1A5220-01](#) [CO2-10](#) [CO3-03](#) [348897](#) [B072-7007](#) [BK/1A4421](#) [BK/9732](#)
[X30110](#) [09030012H](#) [09050023H](#) [00970021HXNVDL](#) [00BS0232P](#) [CO2-04](#) [BK1A1853](#) [BK9834](#) [0880.0001](#) [00970053XP](#) [3566C](#)
[00970053H](#) [04450718ZX900](#) [CH10CL](#) [BP/FP-3](#) [58600000005](#) [33-012C](#) [880140](#) [00970023S](#) [880150](#) [PDM71009ZXM](#) [B109-7091-4](#) [B109-](#)
[7091-6](#) [B109-7091-5](#) [901-524](#) [CVR-RH-25100](#) [LFH60030FBC](#) [03540514Z](#) [03540526Z](#) [03540531Z](#) [03540541Z](#) [03540525Z](#) [03540537Z](#)
[03540539Z](#) [03540540Z](#) [FEH](#)