

1, 2 and 3 Pole Breakers 10–60 AMP

HCB Series



Specifications

Line and Load Connections

10–60 ampere, one-, two- and three-pole reversible lugs

Unit Weight

1P .310 lb (4.96 oz)
2P .620 lb (9.92 oz)
3P .960 lb (15.36 oz)

Power Pole Terminations

Aluminum box lug

Wire Size

Box Lug 14-2

Recommended Tightening Torque

Box lug: 45 in. lbs

Quick Connects (optional)

Power terminals:
Quad .250" QC

Molded case circuit breakers for use in residential and commercial applications. Tested and listed according to UL Standard 489 and CSA Standard C22.2 No. 5-02 for molded case circuit breakers and enclosures.

Features

- Unit-mounted (lug/lug) thermal-magnetic circuit breakers
- Can manually open a circuit
- Automatically open a circuit under overload or short circuit
- Feature common tripping of all poles
- Can be flush-, surface-, or DIN rail-mounted
- Has lugs at both ends (cable-in/cable-out construction)
- Operate in any position
- Tested, UL Listed, and CSA certified

We can custom engineer a solution to meet any need. Just ask.

815.626.5170 | HartlandControls.com

1, 2 and 3 Pole Breakers 10–60 AMP

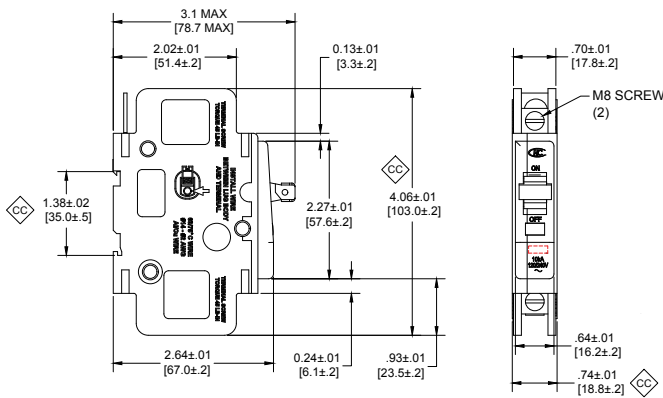
HCB Series

Interrupting Rating

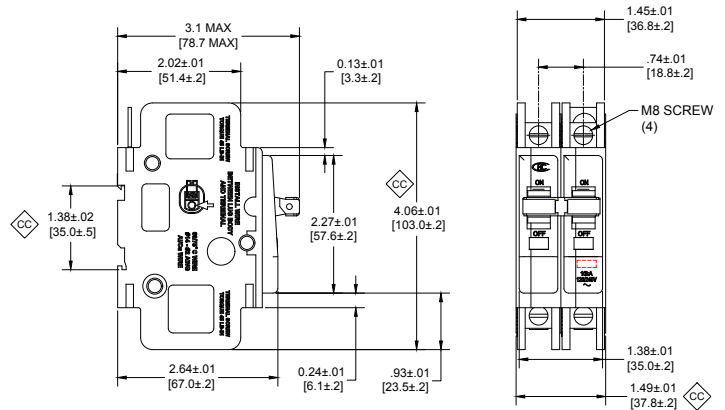
Poles	Ampere Rating	AC Volts	
		120	240
1	10–60	10kA	10kA
2	10–60	10kA	10kA
3	10–60	10kA	10kA

Dimensions (inches [mm])

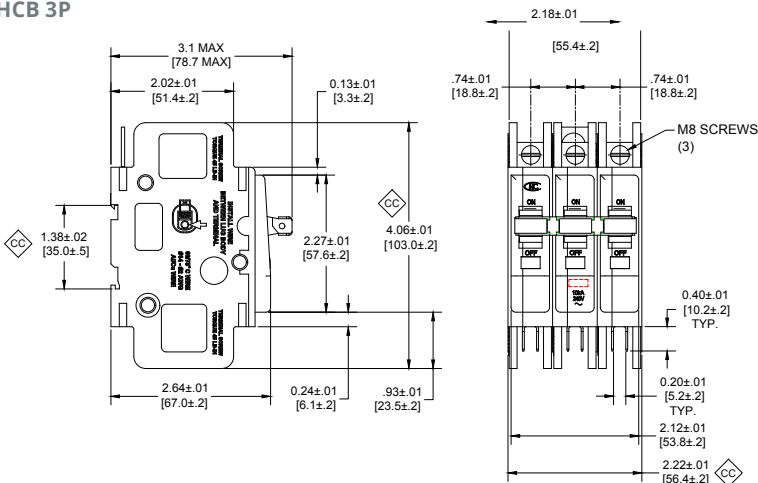
HCB 1P



HCB 2P



HCB 3P



Multiple mounting and termination options available, contact us for more information.

X-ON Electronics

Largest Supplier of Electrical and Electronic Components

Click to view similar products for [Circuit Breakers](#) category:

Click to view products by [Littelfuse](#) manufacturer:

Other Similar products are found below :

[LUGZX66-1-61-20.0-44](#) [M39019/01-221](#) [M39019/01-323](#) [M39019/01-336](#) [M39019/02-248](#) [M39019/02-311](#) [M39019/02-316](#) [M39019/04-249S](#) [M39019/05-246S](#) [M39019/06-254S](#) [M55629/1-016](#) [M55629/1-018](#) [M55629/1-021](#) [M55629/1-033](#) [M55629/1-036](#) [M55629/1-046](#) [M55629/1-048](#) [M55629/1-058](#) [M55629/1-067](#) [M55629/1-070](#) [M55629/1-079](#) [M55629/1-084](#) [M55629/1-085](#) [M55629/1-101](#) [M55629/1-109](#) [M55629/11-102](#) [M55629/1-120](#) [M55629/12-045](#) [M55629/12-046](#) [M55629/1-330](#) [M55629/1-366](#) [M55629/1-387](#) [M55629/1-401](#) [M55629/2-022](#) [M55629/2-030](#) [M55629/2-072](#) [M55629/2-082](#) [M55629/2-099](#) [M55629/2-101](#) [M55629/2-102](#) [M55629/21-BM-BM](#) [M55629/21-HM-HM](#) [M55629/21-NS-NS](#) [M55629/22-NR-NR-NR](#) [M55629/22-RS-RS-RS](#) [M55629/2-347](#) [M55629/2-401](#) [M55629/2-413](#) [M55629/3-030](#) [M55629/3-050](#)