

POWR-GARD® Blocks & Holders

LF SERIES CLASS J FUSE BLOCKS

600 V



Patent
US8810420



Description

The Littelfuse 600 V Class J blocks offer generous space savings and enhanced value over previous generations, such as indication, snap-to-release DIN-rail mounting and universal mounting holes.

Features/Benefits

- Space-saving design—up to 45 % smaller
- Universal mounting holes for easy replacement
- Indication offered on all versions except 200–600 A
- One hand release from DIN rail for ferrule style fuses
- Reinforced fuse clips are standard on all Class J blocks
- Covers available for 100 A and lower to enhance safety
- Both hex and slot set screw options available on 30 A and 60 A box lugs

Specifications

| | |
|----------------------------|---------------------------------------------------------------------------------------------------------------|
| Voltage Ratings | 600 V |
| Ampere Ratings | 0–600 A |
| Leakage Current | <0.6 mA at 600 V |
| Materials: | |
| Base | Thermoplastic |
| Fuse Clip | Tin plated copper alloy |
| Box Lug | Aluminum |
| Pressure Plate | Zinc plated steel |
| Screw | Zinc plated steel |
| Flammability Rating | UL 94 V-0 |
| Approvals | UL Listed (File: E14721) CSA Certified (File: LR7316) RoHS Compliant, Lead (Pb) Free REACH Compliant |
| Environmental | |

Recommended Fuses

Time Delay
Series: JTD_ID
Series: JTD

Fast Acting
Series: JLS

For information about touch-safe Class J fuse holders, visit:
Littelfuse.com/lfpsj

Web Resources

For sample requests, downloadable CAD drawings, fuse block cover datasheet and other technical information, visit:
Littelfuse.com/FuseBlocks Littelfuse.com/LFJ

Ordering Information (Class J 600 V)

| AMPERE RATING | POLES | ORDERING NUMBER | | | | | | INDICATION | TORQUE | TERMINAL | WIRE RANGE | WIRE TYPE | BASE TEMP RATING | DIN RAIL | COVER ORDERING NUMBER* | | | | | | |
|---------------|-------|------------------|-----------------|--------------|----------------|-------|-----------------------|---------------------------------------------------------------------|---------------------------------|------------------------------------|------------------|-----------|------------------|---------------|------------------------|-------------|-------|--|--------|---|---|
| | | BASE PART NUMBER | TERMINAL SUFFIX | | | | | | | | | | | | | | | | | | |
| | | | BOX LUG HEX | BOX LUG SLOT | PRESSURE PLATE | SCREW | | | | | | | | | | | | | | | |
| 30 | 1 | LFJ600301 | CID-HX | CID | PID | SID | • | 2.8 N-m (25 in-lbs) | C P S | 6–14 AWG 10–14 AWG 10–22 AWG | CU Only | 125 °C | • | LFJ60030FBC | | | | | | | |
| | | | C-HX | C | P | S | - | | | | | | | | | | | | | | |
| | 2 | LFJ600302 | CID-HX | CID | PID | SID | • | | | | | | | | | | | | | | |
| | | | C-HX | C | P | S | - | | | | | | | | | | | | | | |
| | 3 | LFJ600303 | CID-HX | CID | PID | SID | • | | | | | | | | | | | | | | |
| | | | C-HX | C | P | S | - | | | | | | | | | | | | | | |
| 60 | 1 | LFJ600601 | CID-HX | CID | — | — | • | 5.6 N-m (50 in-lbs) 2.8 N-m (25 in-lbs) | | 2–4 AWG 6–14 AWG | CU-AL | 125 °C | • | LFJ60060FBC | | | | | | | |
| | | | - | C | — | — | - | | | | | | | | | | | | | | |
| | 2 | LFJ600602 | CID-HX | CID | — | — | • | | | | | | | | | | | | | | |
| | | | - | C | — | — | - | | | | | | | | | | | | | | |
| | 3 | LFJ600603 | CID-HX | CID | — | — | • | | | | | | | | | | | | | | |
| | | | - | C | — | — | - | | | | | | | | | | | | | | |
| 100 | 1 | LFJ601001 | CID | — | — | — | • | 13.6 N-m (120 in-lbs) 4.5 N-m (40 in-lbs) 4.0 N-m (35 in-lbs) | 2/0–6 AWG 8 AWG 10–14 AWG | CU-AL | Solid / Stranded | 130 °C | — | LFJ60100FBC** | | | | | | | |
| | | | C | — | — | — | - | | | | | | | | | | | | | | |
| | 3 | LFJ601003 | CID | — | — | — | • | | | | | | | | | | | | | | |
| | | | C | — | — | — | - | | | | | | | | | | | | | | |
| | 200 | 1 | LFJ602001 | C | — | — | — | | | | | | | | 31.1 N-m (275 in-lbs) | 250 kcmil-6 | CU-AL | | 130 °C | — | — |
| | | 3 | LFJ602003 | C | — | — | — | | | | | | | | | | | | | | |
| 400 | 1 | LFJ604001 | C | — | — | — | 31.1 N-m (275 in-lbs) | (2) 350 kcmil-1/0 | CU-AL | | 130 °C | — | — | | | | | | | | |
| | 3 | LFJ604003 | C | — | — | — | | | | | | | | | | | | | | | |
| 600 | 1 | LFJ606001 | C | — | — | — | 42.4 N-m (375 in-lbs) | (2) 500 kcmil-4 | CU-AL | | 130 °C | — | — | | | | | | | | |
| | 3 | LFJ606003 | C | — | — | — | | | | | | | | | | | | | | | |

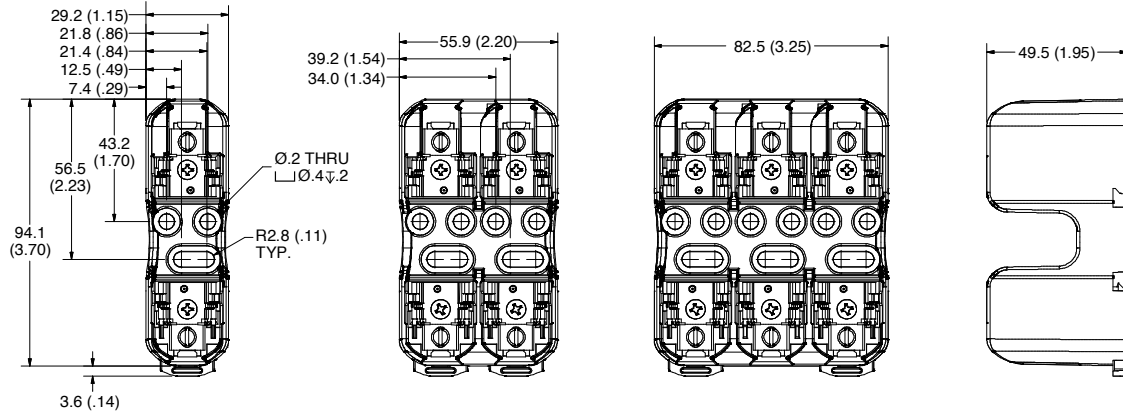
Note: Reinforcing springs standard on all Class J fuse blocks. *Covers sold individually. One cover needed for each pole. **Cover is not compatible with 70–100 A JLS series fuses

POWR-GARD® Blocks & Holders

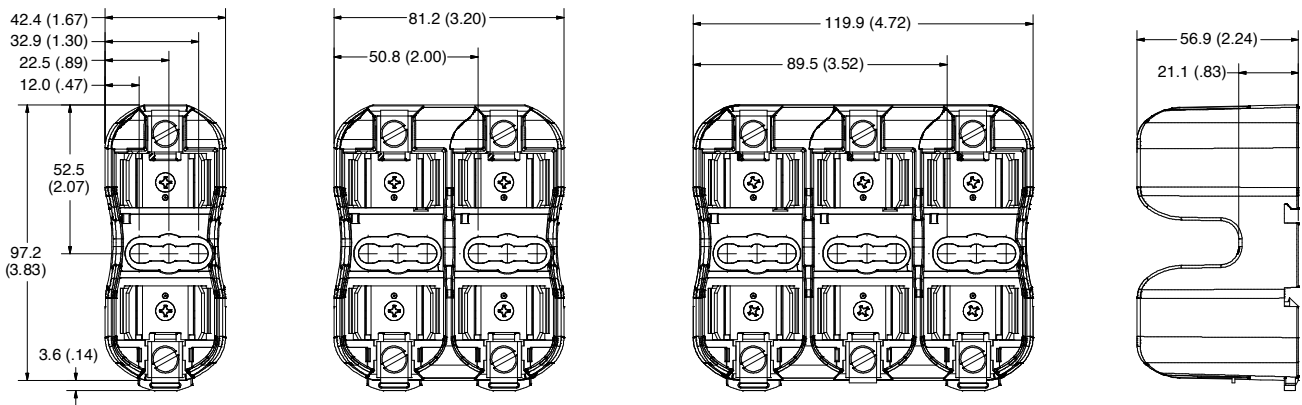
LF SERIES CLASS J FUSE BLOCKS

Dimensions mm (inches)

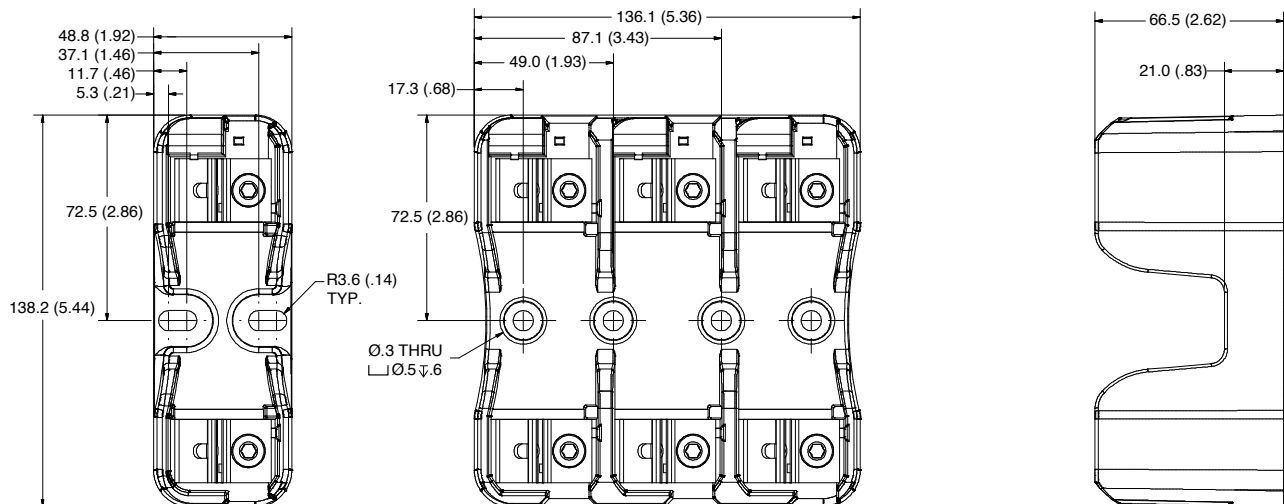
600 V 30 A



600 V 60 A



600 V 100 A

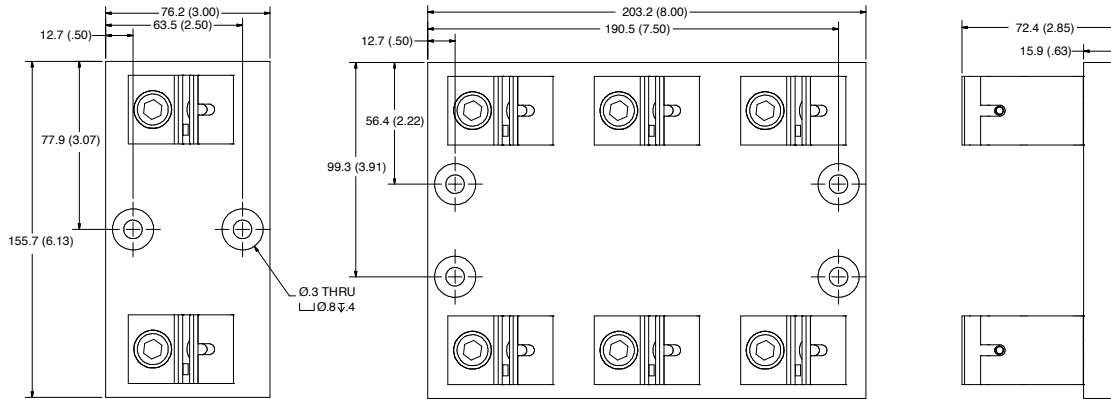


POWR-GARD® Blocks & Holders

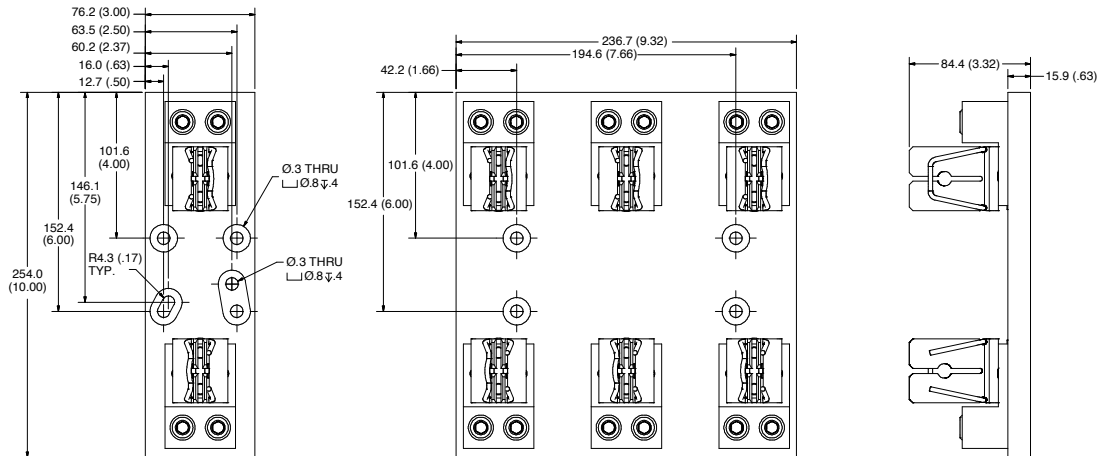
LF SERIES CLASS J FUSE BLOCKS

Dimensions mm (inches)

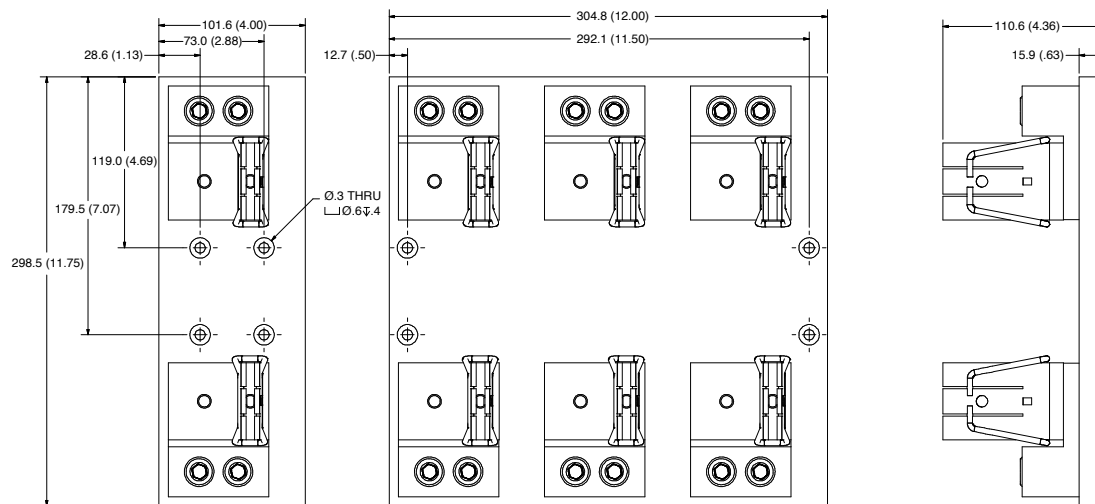
600 V 200 A



600 V 400 A



600 V 600 A



Disclaimer Notice - Information furnished is believed to be accurate and reliable. However, users should independently evaluate the suitability of and test each product selected for their own applications. Littelfuse products are not designed for, and may not be used in, all applications. **Read complete Disclaimer Notice at www.littelfuse.com/product-disclaimer.**

X-ON Electronics

Largest Supplier of Electrical and Electronic Components

Click to view similar products for [Fuse Kits & Assortments](#) category:

Click to view products by [Littelfuse](#) manufacturer:

Other Similar products are found below :

[12052472](#) [194-044-9-001](#) [FUSE-2A/600VBLSTR](#) [00950000XXN](#) [SF-LAB1](#) [203411](#) [00940551Z](#) [00940367ZP](#) [ERK-28J](#) [00940553Z](#)
[00940419ZP](#) [CFBAR1-250BP](#) [32BS](#) [3004000](#) [521.800](#) [522.800](#) [632.830](#) [GSK-260](#) [ORBOX006Z](#) [12146815](#) [SF-SP-LAB1](#) [FUSE-](#)
[11A/1000V](#) [B1](#) [0695020.L](#) [0AGC0001ZPGLO](#) [00940558ZPA](#) [632.800](#) [812404](#) [12160438](#) [12160541](#) [SF-KIT-AUTO-1](#) [SF-KIT-AUTO-2](#)
[SF-KIT-HC-1](#) [SF-KIT-HV-1](#) [12004943](#) [12010105](#) [12160504](#) [BK/ATC-TAP](#) [BK/ATM-TAP](#) [BP/ATM-TAP-RP](#) [CDY10TRY-ATM-LP](#)
[CDY10TRY-FLNK2](#) [CDY10TRY-MAX](#) [CDY5TRY-BMOUNT](#) [CDY5TRY-FMX](#) [CDY5TRY-SMOUNT](#) [FUSE-ACC-KIT](#) [FUSE-CADDY1](#)
[FUSE-CADDY2](#) [NO270](#) [203403](#)