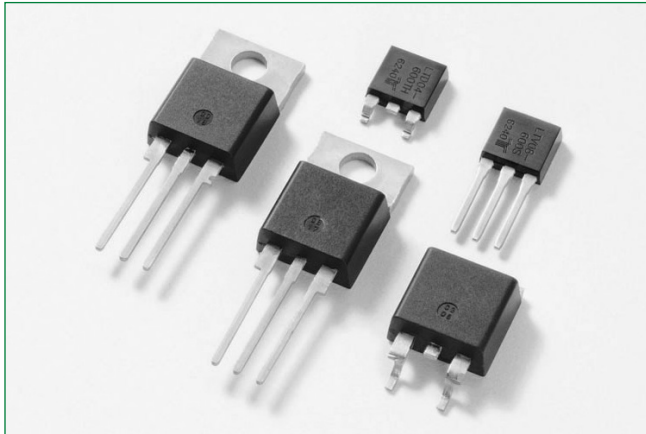


# LJxx06xx & QJxx06xHx & QJxx06xx Series

## 6 Amp High Temp Sensitive, Standard & Alternistor (High Communication) Triacs



### Additional Information



Resources



Accessories



Samples

### Agency Approvals & Environmental

#### Environmental Approvals

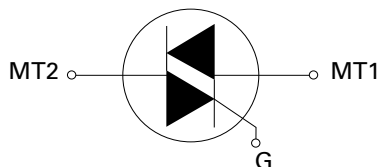


Note: UL recognition agency file number E71639 (L package only)

### Main Features

Symbol	Value	Unit
$I_{T(RMS)}$	6	A
$V_{DRM} V_{RRM}$	400 to 800	V
$I_{GT(Q1)}$	10 to 50	mA

### Schematic Symbol



### Description

This 6 A High Temperature Alternistor Triac solid state switch series is designed for AC switching and phase control applications such as motor speed and temperature modulation controls, lighting controls, and static switching relays.

Sensitive type components guarantee gate control in Quadrants I & IV as needed for digital control circuitry.

Alternistor type components only operate in quadrants I, II, & III and are used in circuits requiring high dv/dt capability.

Standard type devices normally operate in Quadrants I & III triggered from AC line

### Features & Benefits

- 150°C maximum junction temperature
- Voltage capability up to 800V
- Surge capability up to 80A at 60Hz half cycle
- Solid-state switching eliminates arcing or contact bounce that create voltage transients
- No contacts to wear out from reaction of switching events
- Restricted (or limited) RFI generation, depending on activation point of sine wave
- Requires only a short gate activation pulse in each half-cycle
- Halogen free and RoHS compliant

### Applications

Excellent for AC switching and phase control applications such as heating, lighting, and motor speed controls.

Typical applications are AC solid-state switches, light dimmers, power tools, home/brown goods and white goods appliances.

Alternistor Triacs (no snubber required) are used in applications with high inductive loads requiring the highest commutation performance.

Internally constructed isolated packages are offered for ease of heat sinking with highest isolation voltage.

# LJxx06xx & QJxx06xHx & QJxx06xx Series

## 6 Amp High Temp Sensitive, Standard & Alternistor (High Communication) Triacs

### Absolute Maximum Ratings – Sensitive Triac (4 Quadrants)

Symbol	Parameter		Value	Unit	
$V_{DSM}/\sqrt{t_{RSM}}$	Peak non-repetitive blocking voltage	$P_W=100 \mu s$	700	V	
$I_{T(RMS)}$	RMS on-state current (full sine wave)	LJxx06Vy/LJxx06Dy	$T_C = 130^\circ C$	A	
$I_{TSM}$	Non repetitive surge peak on-state current (full cycle, $T_J$ initial = $25^\circ C$ )	f = 50 Hz	t = 20 ms	60	A
		f = 60 Hz	t = 16.7 ms	72	
$I^2t$	$I^2t$ Value for fusing	$t_p = 8.3 ms$	21.5	A <sup>2</sup> s	
di/dt	Critical rate of rise of on-state current $I_G = 50mA$ with 0.1 $\mu s$ rise time	f = 60 Hz	$T_J = 150^\circ C$	70	A/ $\mu s$
$I_{GTM}$	Peak gate trigger current	$t_p=20\mu s$	$T_J = 150^\circ C$	4	A
$P_{G(AV)}$	Average gate power dissipation		$T_J = 150^\circ C$	0.4	W
$T_{stg}$	Storage temperature range			-40 to 150	$^\circ C$
$T_J$	Operating junction temperature range			-40 to 150	$^\circ C$

Note: xx=voltage/10, y = sensitivity

### Absolute Maximum Ratings – Alternistor Triac (3 Quadrants)

Symbol	Parameter		Value	Unit		
$V_{DSM}/\sqrt{t_{RSM}}$	Peak non-repetitive blocking voltage	$P_W=100 \mu s$	600V	700	V	
			800V	1000	V	
$I_{T(RMS)}$	RMS on-state current (full sine wave)		QJxx06VHy/QJxx06DHy	$T_C = 130^\circ C$	6	A
			QJxx06LHy	$T_C = 125^\circ C$		
			QJxx06RHx/QJxx06NHx	$T_C = 140^\circ C$		
$I_{TSM}$	Non repetitive surge peak on-state current (full cycle, $T_J$ initial = $25^\circ C$ )	f = 50 Hz	t = 20 ms	QJxx06VHy/QJxx06DHy	60	A
				QJxx06LHy/QJxx06RHx/QJxx06NHx	65	
		f = 60 Hz	t = 16.7 ms	QJxx06VHy/QJxx06DHy	72	
				QJxx06LHy/QJxx06RHx/QJxx06NHx	80	
$I^2t$	$I^2t$ Value for fusing	$t_p = 8.3 ms$	QJxx06VHy/QJxx06DHy	21.5	A <sup>2</sup> s	
			QJxx06LHy/QJxx06RHx/QJxx06NHx	26.6		
di/dt	Critical rate of rise of on-state current	f = 60 Hz	$T_J = 150^\circ C$	70	A/ $\mu s$	
$I_{GTM}$	Peak gate trigger current	$t_p=20\mu s$	$T_J = 150^\circ C$	4	A	
$P_{G(AV)}$	Average gate power dissipation		$T_J = 150^\circ C$	0.5	W	
$T_{stg}$	Storage temperature range			-40 to 150	$^\circ C$	
$T_J$	Operating junction temperature range			-40 to 150	$^\circ C$	

Note: xx=voltage/10, x = sensitivity

### Absolute Maximum Ratings – Standart Triac (4 Quadrants)

Symbol	Parameter		Value	Unit		
$V_{DSM}/\sqrt{t_{RSM}}$	Peak non-repetitive blocking voltage	$P_W=100 \mu s$	800V	1000	V	
$I_{T(RMS)}$	RMS on-state current (full sine wave)		QJxx06Ly	$T_C = 125^\circ C$	6	A
			QJxx06Ry/QJxx06Ny	$T_C = 140^\circ C$		
$I_{TSM}$	Non repetitive surge peak on-state current (full cycle, $T_J$ initial = $25^\circ C$ )	f = 50 Hz	t = 20 ms	100	A	
		f = 60 Hz	t = 16.7 ms	120		
$I^2t$	$I^2t$ Value for fusing	$t_p = 8.3 ms$	26.5	A <sup>2</sup> s		
di/dt	Critical rate of rise of on-state current	f = 60 Hz	$T_J = 150^\circ C$	70	A/ $\mu s$	
$I_{GTM}$	Peak gate trigger current	$t_p=20\mu s$	$T_J = 150^\circ C$	4	A	
$P_{G(AV)}$	Average gate power dissipation		$T_J = 150^\circ C$	0.5	W	
$T_{stg}$	Storage temperature range			-40 to 150	$^\circ C$	
$T_J$	Operating junction temperature range			-40 to 150	$^\circ C$	

Note: xx=voltage/10, y = sensitivity

# LJxx06xx & QJxx06xHx & QJxx06xx Series

## 6 Amp High Temp Sensitive, Standard & Alternistor (High Communication) Triacs

### Electrical Characteristics ( $T_J = 25^\circ\text{C}$ , unless otherwise specified) — Sensitive Triac (4 Quadrants)

Symbol	Test Conditions	Quadrant		Value	Unit
				LJxx06x8	
$I_{GT}$	$V_D = 12\text{V}$ $R_L = 60\ \Omega$	I – II – III IV	MAX.	10 20	mA
$V_{GT}$		ALL	MAX.	1.2	V
$V_{GD}$	$V_D = V_{DRM}$ $R_L = 3.3\ \text{k}\Omega$ $T_J = 150^\circ\text{C}$	ALL	MIN.	0.15	V
$I_H$	$I_T = 100\text{mA}$		MAX.	25	mA
dv/dt	$V_D = V_{DRM}$ Gate Open $T_J = 150^\circ\text{C}$	400V	TYP.	80	V/ $\mu\text{s}$
		600V		50	
(dv/dt)c	(di/dt)c = 3.2 A/ms $T_J = 150^\circ\text{C}$		TYP.	2	V/ $\mu\text{s}$
$t_{gt}$	$I_G = 2 \times I_{GT}$ PW = 15 $\mu\text{s}$ $I_T = 8.5\ \text{A(pk)}$		TYP.	12	$\mu\text{s}$

Note: xx=voltage/10, x = package

### Electrical Characteristics ( $T_J = 25^\circ\text{C}$ , unless otherwise specified) — Alternistor Triac (3 Quadrants)

Symbol	Test Conditions	Quadrant		Value			Unit	
				QJxx06xH2	QJxx06xH3	QJxx06xH4		
$I_{GT}$	$V_D = 12\text{V}$ $R_L = 60\ \Omega$	I – II – III	MAX.	10	20	35	mA	
$V_{GT}$		I – II – III	MAX.		1.3		V	
$V_{GD}$	$V_D = V_{DRM}$ $R_L = 3.3\ \text{k}\Omega$ $T_J = 150^\circ\text{C}$	I – II – III	MIN.		0.15		V	
$I_H$	$I_T = 100\text{mA}$		MAX.	25	30	35	mA	
dv/dt	$V_D = V_{DRM}$ Gate Open $T_J = 150^\circ\text{C}$	QJxx06xHy	MIN.	400V	150	250	350	V/ $\mu\text{s}$
				600V	100	200	250	
				800V	-	-	450	
(dv/dt)c	(di/dt)c = 3.2 A/ms $T_J = 150^\circ\text{C}$		MIN.	15	18	20	V/ $\mu\text{s}$	
$t_{gt}$	$I_G = 2 \times I_{GT}$ PW = 15 $\mu\text{s}$ $I_T = 8.5\ \text{A(pk)}$		TYP.	10	10	10	$\mu\text{s}$	

Note: xx=voltage/10, x = package

### Electrical Characteristics ( $T_J = 25^\circ\text{C}$ , unless otherwise specified) - Standard Triac

Symbol	Test Conditions	Quadrant		Value	Unit
				QJxx06xH2	
$I_{GT}$	$V_D = 12\text{V}$ $R_L = 60\ \Omega$	I – II – III IV	MAX.	50 50	mA
$V_{GT}$		ALL	MAX.	1.3	V
$V_{GD}$	$V_D = V_{DRM}$ $R_L = 3.3\ \text{k}\Omega$ $T_J = 150^\circ\text{C}$	ALL	MIN.	0.2	V
$I_H$	Initial $I_T = 100\text{mA}$		MAX.	50	mA
dv/dt	$V_D = V_{DRM}$ Gate Open $T_J = 150^\circ\text{C}$	800V	MIN.	1000	V/ $\mu\text{s}$
(dv/dt)c	(di/dt)c = 3.2 A/ms $T_J = 150^\circ\text{C}$		MIN.	4	V/ $\mu\text{s}$
$t_{gt}$	$I_G = 2 \times I_{GT}$ PW = 15 $\mu\text{s}$ $I_T = 8.5\ \text{A(pk)}$		TYP.	3	$\mu\text{s}$

Note: xx=voltage/10, x = package

# LJxx06xx & QJxx06xHx & QJxx06xx Series

## 6 Amp High Temp Sensitive, Standard & Alternistor (High Communication) Triacs

### Static Characteristics

Symbol	Test Conditions			Value	Unit	
$V_{TM}$	$I_{TM} = 8.4 A \ t_p = 380 \mu s$			MAX.	1.40 V	
$I_{DRM} / I_{RRM}$	$V_{DRM} = V_{RRM}$	LJxx06xy	$T_J = 25^\circ C$	400 - 600V	10	$\mu A$
			$T_J = 125^\circ C$	400 - 600V	0.5	mA
			$T_J = 150^\circ C$	400 - 600V	3	
		QJxx06xHy	$T_J = 25^\circ C$	400 - 800V	10	$\mu A$
			$T_J = 125^\circ C$	400 - 800V	0.5	mA
			$T_J = 150^\circ C$	400 - 800V	3	
		QJxx06x5	$T_J = 25^\circ C$	800V	10	$\mu A$
			$T_J = 125^\circ C$		0.5	mA
			$T_J = 150^\circ C$		3	

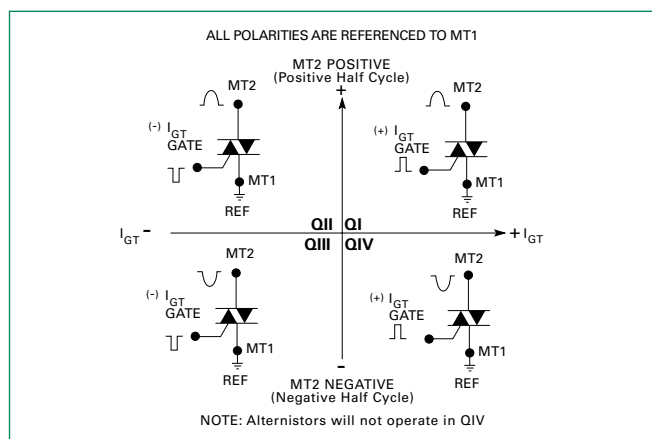
Note: xx=voltage/10, x = package, y = sensitivity

### Thermal Resistances

Symbol	Parameter	Value	Unit
$R_{\theta(JC)}$	Junction to case (AC)	LJ/QJxx06Vyy LJ/QJxx06Dyy	1.3
		QJxx06R5/QJxx06N5	0.9
		QJxx06L5	2.3
$R_{\theta(JA)}$	Junction to ambient	LJ/QJxx06Vyy LJ/QJxx06Dyy	70
		QJxx06R5	45
		QJxx06L5	90

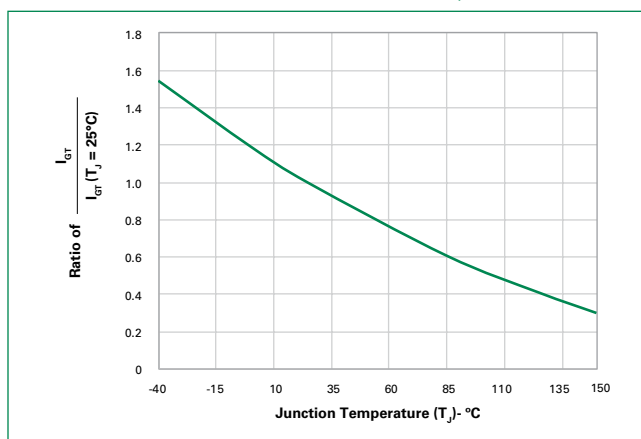
Note: xx=voltage/10, y = sensitivity

**Figure 1:**  
Definition of Quadrants



Note: Alternistors will not operate in QIV

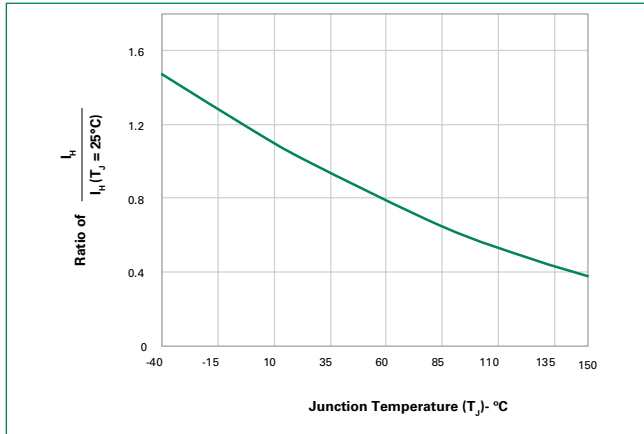
**Figure 2:**  
Normalized DC Gate Trigger Current for All Quadrants vs. Junction Temperature



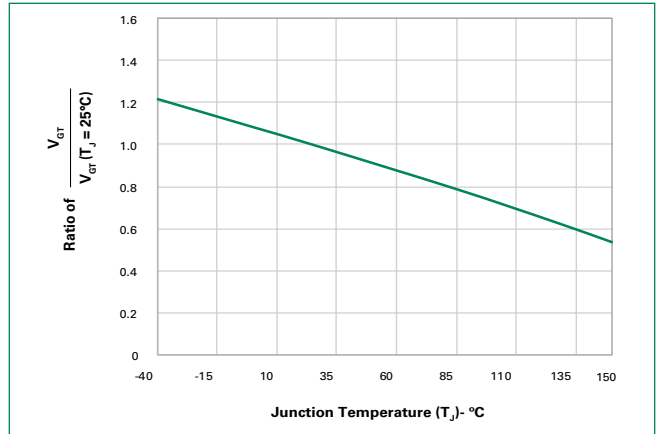
# LJxx06xx & QJxx06xHx & QJxx06xx Series

## 6 Amp High Temp Sensitive, Standard & Alternistor (High Communication) Triacs

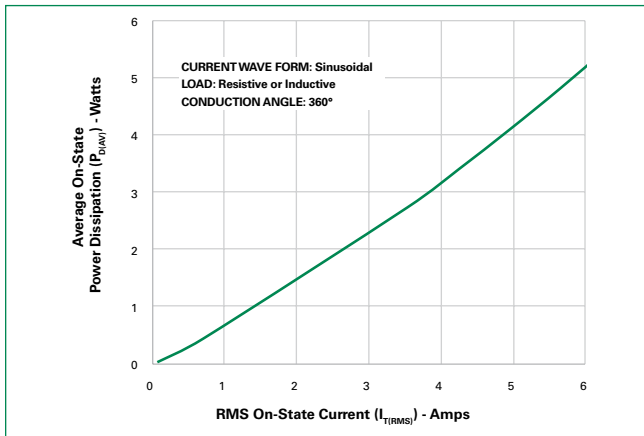
**Figure 3:**  
Normalized DC Holding Current vs. Junction Temperature



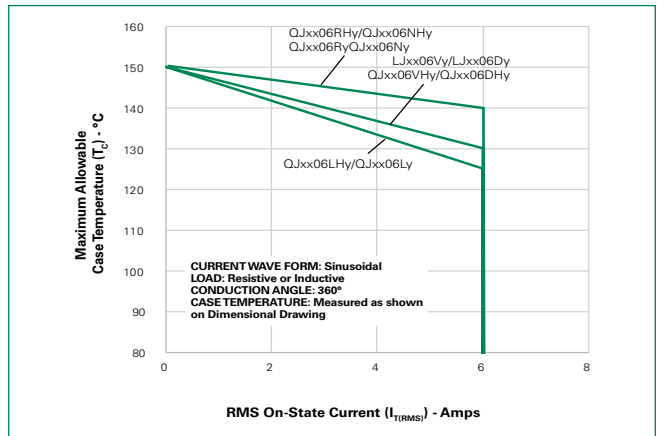
**Figure 4:**  
Normalized DC Gate Trigger Voltage for All Quadrants vs. Junction Temperature



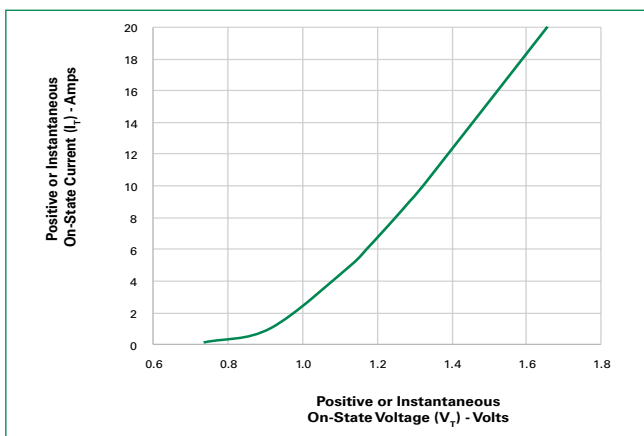
**Figure 5:**  
Power Dissipation (Typical) vs. RMS On-State Current



**Figure 6:**  
Maximum Allowable Case Temperature vs. On-State Current



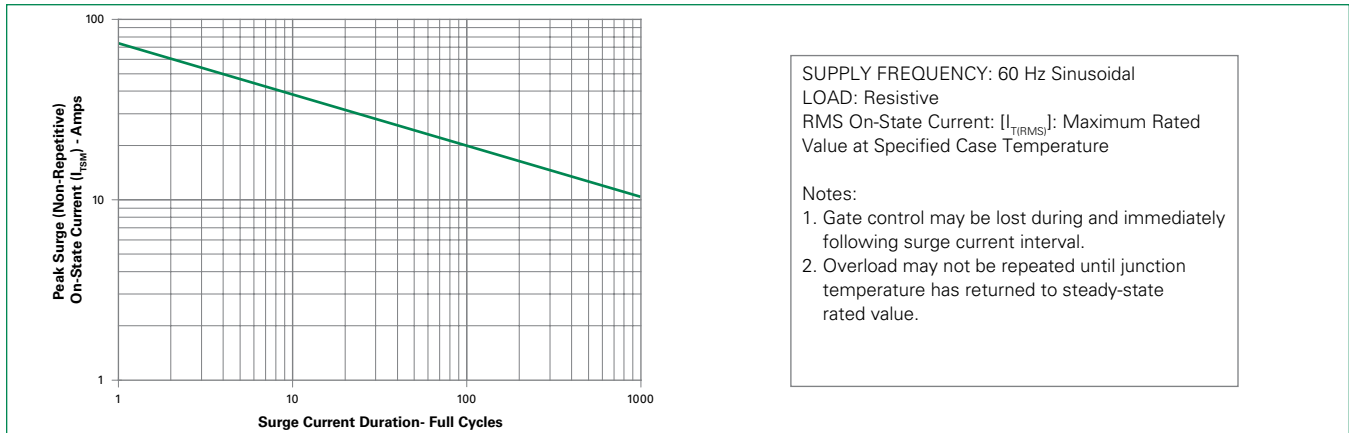
**Figure 7:**  
On-State Current vs. On-State Voltage (Typical)



# LJxx06xx & QJxx06xHx & QJxx06xx Series

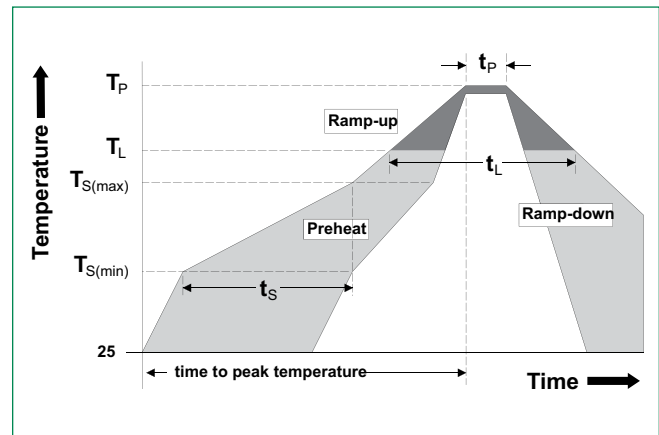
## 6 Amp High Temp Sensitive, Standard & Alternistor (High Communication) Triacs

**Figure 8:**  
Surge Peak On-State Current vs. Number of Cycles



## Soldering Parameters

<b>Reflow Condition</b>		Pb – Free assembly
<b>Pre Heat</b>	- Temperature Min ( $T_{s(min)}$ )	150°C
	- Temperature Max ( $T_{s(max)}$ )	200°C
	- Time (min to max) ( $t_s$ )	60 – 180 secs
<b>Average ramp up rate (Liquidus Temp) (<math>T_L</math>) to peak</b>		5°C/second max
<b><math>T_{s(max)}</math> to <math>T_L</math> - Ramp-up Rate</b>		5°C/second max
<b>Reflow</b>	- Temperature ( $T_L$ ) (Liquidus)	217°C
	- Time ( $t_L$ )	60 – 150 seconds
<b>Peak Temperature (<math>T_p</math>)</b>		260 <sup>+0/-5</sup> °C
<b>Time within 5°C of actual peak Temperature (<math>t_p</math>)</b>		20 – 40 seconds
<b>Ramp-down Rate</b>		5°C/second max
<b>Time 25°C to peak Temperature (<math>T_p</math>)</b>		8 minutes Max.
<b>Do not exceed</b>		280°C



# LJxx06xx & QJxx06xHx & QJxx06xx Series

## 6 Amp High Temp Sensitive, Standard & Alternistor (High Communication) Triacs

### Physical Specifications

<b>Terminal Finish</b>	100% Matte Tin-plated
<b>Body Material</b>	UL Recognized compound meeting flammability rating V-0.
<b>Terminal Material</b>	Copper Alloy

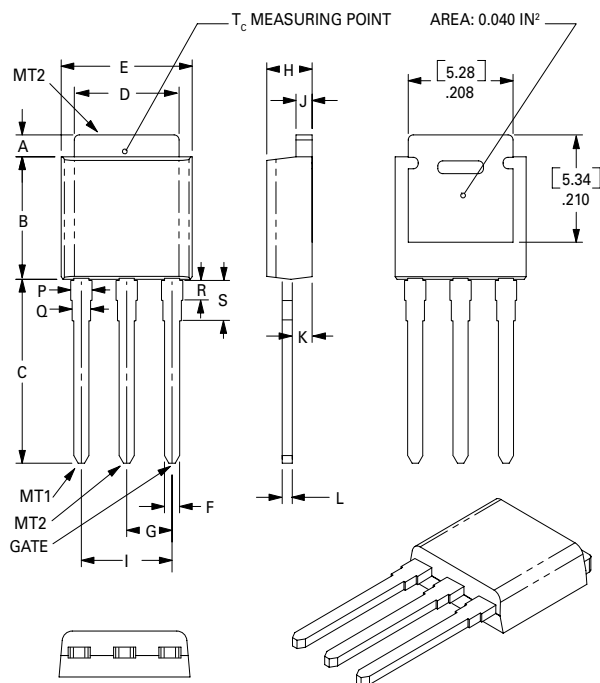
### Design Considerations

Careful selection of the correct component for the application's operating parameters and environment will go a long way toward extending the operating life of the Thyristor. Good design practice should limit the maximum continuous current through the main terminals to 75% of the component rating. Other ways to ensure long life for a power discrete semiconductor are proper heat sinking and selection of voltage ratings for worst case conditions. Overheating, overvoltage (including dv/dt), and surge currents are the main killers of semiconductors. Correct mounting, soldering, and forming of the leads also help protect against component damage.

### Environmental Specifications

Test	Specifications and Conditions
<b>AC Blocking (<math>V_{DRM}</math>)</b>	MIL-STD-750, M-1040, Cond A Applied Peak AC voltage @ 150°C for 1008 hours
<b>Temperature Cycling</b>	MIL-STD-750, M-1051, 1000 cycles; -55°C to +150°C; 15-min dwell-time
<b>Temperature/Humidity</b>	EIA / JEDEC, JESD22-A101 1008 hours; 160V - DC: 85°C; 85% rel humidity
<b>High Temp Storage</b>	MIL-STD-750, M-1031, 1008 hours; 150°C
<b>Low-Temp Storage</b>	1008 hours; -40°C
<b>Resistance to Solder Heat</b>	MIL-STD-750 Method 2031
<b>Solderability</b>	ANSI/J-STD-002, category 3, Test A
<b>Lead Bend</b>	MIL-STD-750, M-2036 Cond E

### Dimensions — TO-251AA (V-Package) — V-PAK Through Hole

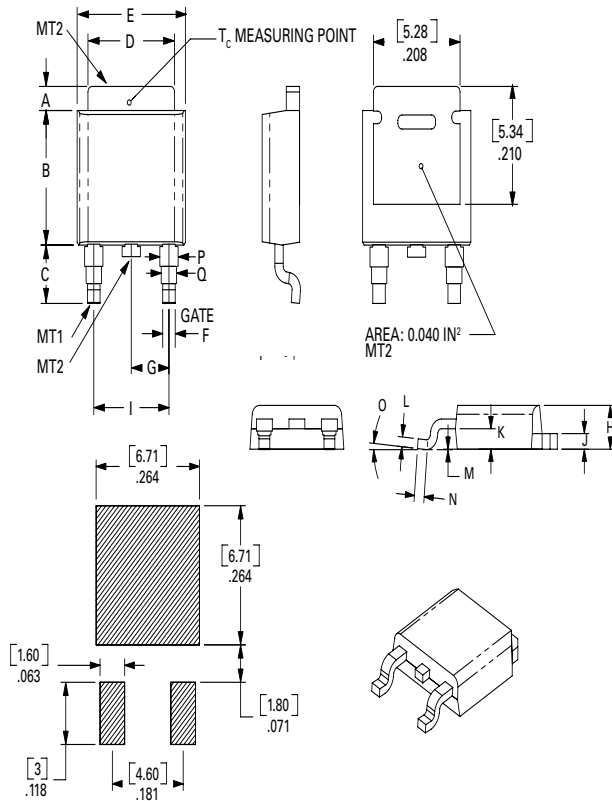


Dimension	Inches			Millimeters		
	Min	Typ	Max	Min	Typ	Max
<b>A</b>	0.037	0.040	0.043	0.94	1.01	1.09
<b>B</b>	0.235	0.242	0.245	5.97	6.15	6.22
<b>C</b>	0.350	0.361	0.375	8.89	9.18	9.53
<b>D</b>	0.205	0.208	0.213	5.21	5.29	5.41
<b>E</b>	0.255	0.262	0.265	6.48	6.66	6.73
<b>F</b>	0.027	0.031	0.033	0.69	0.80	0.84
<b>G</b>	0.087	0.090	0.093	2.21	2.28	2.36
<b>H</b>	0.085	0.092	0.095	2.16	2.34	2.41
<b>I</b>	0.176	0.180	0.184	4.47	4.57	4.67
<b>J</b>	0.018	0.020	0.023	0.46	0.51	0.58
<b>K</b>	0.035	0.037	0.039	0.90	0.95	1.00
<b>L</b>	0.018	0.020	0.023	0.46	0.52	0.58
<b>P</b>	0.042	0.047	0.052	1.06	1.20	1.32
<b>Q</b>	0.034	0.039	0.044	0.86	1.00	1.11
<b>R</b>	0.034	0.039	0.044	0.86	1.00	1.11
<b>S</b>	0.074	0.079	0.084	1.86	2.00	2.11

# LJxx06xx & QJxx06xHx & QJxx06xx Series

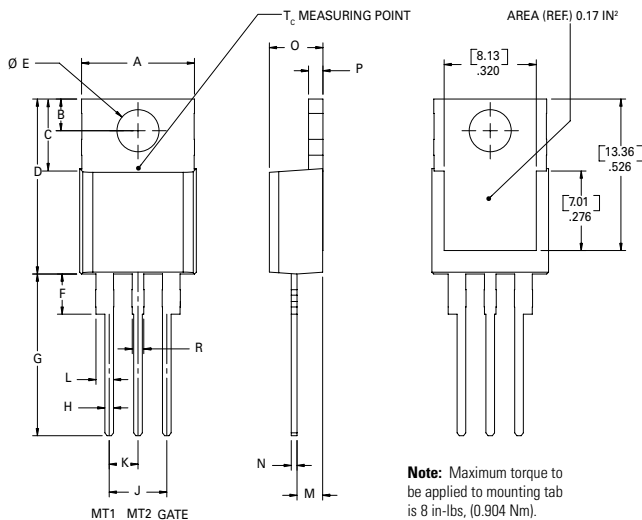
6 Amp High Temp Sensitive, Standard & Alternistor (High Communication) Triacs

## Dimensions — TO-252AA (D-Package) — D-PAK Surface mount



Dimension	Inches			Millimeters		
	Min	Typ	Max	Min	Typ	Max
A	0.037	0.040	0.043	0.94	1.01	1.09
B	0.235	0.243	0.245	5.97	6.16	6.22
C	0.106	0.108	0.113	2.69	2.74	2.87
D	0.205	0.208	0.213	5.21	5.29	5.41
E	0.255	0.262	0.265	6.48	6.65	6.73
F	0.027	0.031	0.033	0.69	0.80	0.84
G	0.087	0.090	0.093	2.21	2.28	2.36
H	0.085	0.092	0.095	2.16	2.33	2.41
I	0.176	0.179	0.184	4.47	4.55	4.67
J	0.018	0.020	0.023	0.46	0.51	0.58
K	0.035	0.037	0.039	0.90	0.95	1.00
L	0.018	0.020	0.023	0.46	0.51	0.58
M	0.000	0.000	0.004	0.00	0.00	0.10
N	0.021	0.026	0.027	0.53	0.67	0.69
O	0°	0°	5°	0°	0°	5°
P	0.042	0.047	0.052	1.06	1.20	1.32
Q	0.034	0.039	0.044	0.86	1.00	1.11

## Dimensions — TO-220AB(L-Package) — Isolated Mounting Tab



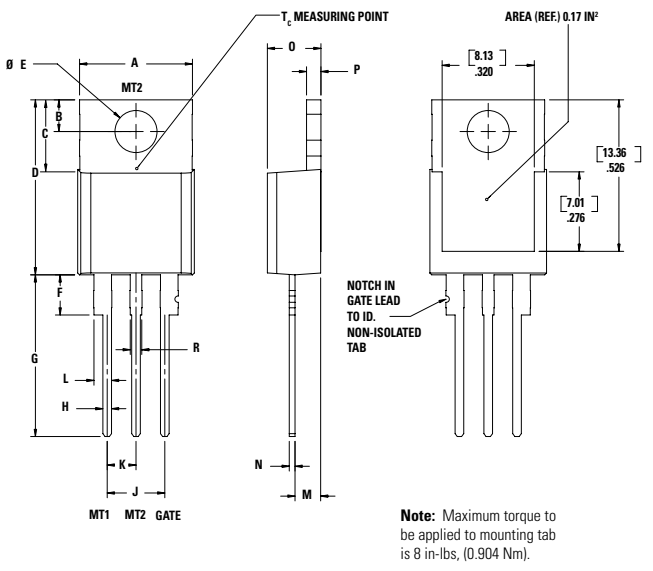
Dimension	Inches		Millimeters	
	Min	Max	Min	Max
A	0.380	0.420	9.65	10.67
B	0.105	0.115	2.67	2.92
C	0.230	0.250	5.84	6.35
D	0.590	0.620	14.99	15.75
E	0.142	0.147	3.61	3.73
F	0.110	0.130	2.79	3.30
G	0.540	0.575	13.72	14.61
H	0.025	0.035	0.64	0.89
J	0.195	0.205	4.95	5.21
K	0.095	0.105	2.41	2.67
L	0.060	0.075	1.52	1.91
M	0.085	0.095	2.16	2.41
N	0.018	0.024	0.46	0.61
O	0.178	0.188	4.52	4.78
P	0.045	0.060	1.14	1.52
R	0.038	0.048	0.97	1.22



# LJxx06xx & QJxx06xHx & QJxx06xx Series

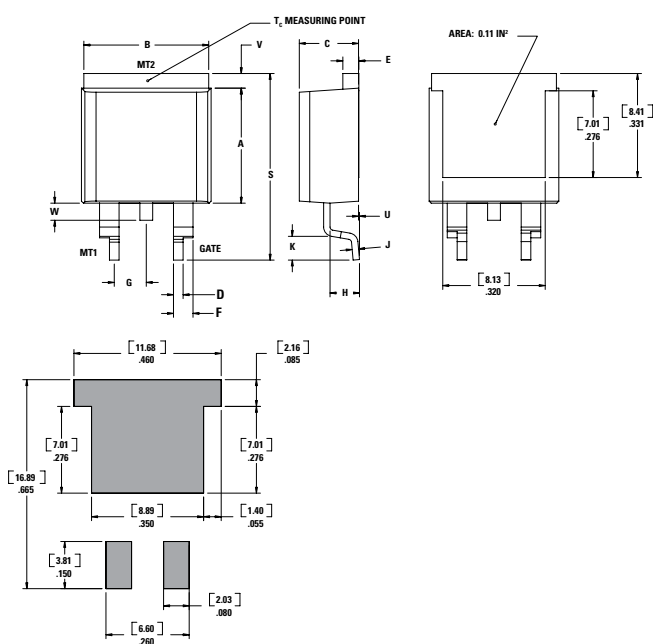
## 6 Amp High Temp Sensitive, Standard & Alternistor (High Communication) Triacs

### Dimensions — TO-220 AB (R- Package) — Non-isolated Mounting Tab



Dimension	Inches		Millimeters	
	Min	Max	Min	Max
A	0.380	0.420	9.65	10.67
B	0.105	0.115	2.67	2.92
C	0.230	0.250	5.84	6.35
D	0.590	0.620	14.99	15.75
E	0.142	0.147	3.61	3.73
F	0.110	0.130	2.79	3.30
G	0.540	0.575	13.72	14.61
H	0.025	0.035	0.64	0.89
J	0.195	0.205	4.95	5.21
K	0.095	0.105	2.41	2.67
L	0.060	0.075	1.52	1.91
M	0.085	0.095	2.16	2.41
N	0.018	0.024	0.46	0.61
O	0.178	0.188	4.52	4.78
P	0.045	0.060	1.14	1.52
R	0.038	0.048	0.97	1.22

### Dimensions — TO-263 AB (N- Package) — D2Pak Surface Mount



Dimension	Inches		Millimeters	
	Min	Max	Min	Max
A	0.360	0.370	9.14	9.40
B	0.380	0.420	9.65	10.67
C	0.178	0.188	4.52	4.78
D	0.025	0.035	0.64	0.89
E	0.045	0.060	1.14	1.52
F	0.060	0.075	1.52	1.91
G	0.095	0.105	2.41	2.67
H	0.092	0.102	2.34	2.59
J	0.018	0.024	0.46	0.61
K	0.090	0.110	2.29	2.79
S	0.590	0.625	14.99	15.88
V	0.035	0.045	0.89	1.14
U	0.002	0.010	0.05	0.25
W	0.040	0.070	1.02	1.78

# LJxx06xx & QJxx06xHx & QJxx06xx Series

## 6 Amp High Temp Sensitive, Standard & Alternistor (High Communication) Triacs

### Product Selector

Part Number	Voltage			Gate Sensitivity Quadrants		Type	Package
	400V	600V	800V	I - II - III	IV		
LJxx06D8	x	x	-	10	20	Sensitive Triac	TO-252 D-PAK
LJxx06V8	x	x	-	10	20	Sensitive Triac	TO-251 V-PAK
QJxx06DH2	x	x	-	10	-	Alternistor Triac	TO-252 D-PAK
QJxx06VH2	x	x	-	10	-	Alternistor Triac	TO-251 V-PAK
QJxx06DH3	x	x	-	20	-	Alternistor Triac	TO-252 D-PAK
QJxx06VH3	x	x	-	20	-	Alternistor Triac	TO-251 V-PAK
QJxx06DH4	x	x	-	35	-	Alternistor Triac	TO-252 D-PAK
QJxx06VH4	x	x	-	35	-	Alternistor Triac	TO-251 V-PAK
QJxx06LH4	-	-	x	35	-	Alternistor Triac	TO-220L
QJxx06RH4	-	-	x	35	-	Alternistor Triac	TO-220R
QJxx06NH4	-	-	x	35	-	Alternistor Triac	TO-220N
QJxx06L5	-	-	x	50	50	Standard Triac	TO-220L
QJxx06R5	-	-	x	50	50	Standard Triac	TO-220R
QJxx06N5	-	-	x	50	50	Standard Triac	TO-220N

Note: xx = voltage/10

### Packing Options

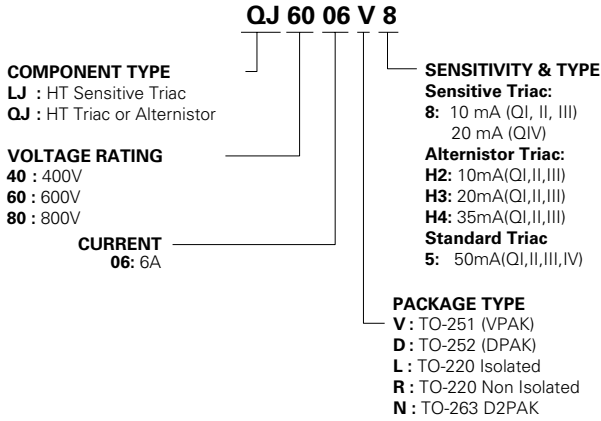
Part Number	Marking	Weight	Packing Mode	Base Quantity
LJxx06D8TP	LJxx06D8	0.3g	Tube Pack	750(75 per tube)
LJxx06D8RP	LJxx06D8	0.3g	Embossed Carrier	2500
QJxx06DH2TP	QJxx06DH2	0.3g	Tube Pack	750(75 per tube)
QJxx06DH2RP	QJxx06DH2	0.3g	Embossed Carrier	2500
QJxx06VH2TP	QJxx06VH2	0.3g	Tube Pack	750(75 per tube)
LJxx06V8TP	LJxx06V8	0.4g	Tube Pack	750(75 per tube)
QJxx06DH3TP	QJxx06DH3	0.3g	Tube Pack	750(75 per tube)
QJxx06DH3RP	QJxx06DH3	0.3g	Embossed Carrier	2500
QJxx06VH3TP	QJxx06VH3	0.4g	Tube Pack	750(75 per tube)
QJxx06DH4TP	QJxx06DH4	0.3g	Tube Pack	750(75 per tube)
QJxx06DH4RP	QJxx06DH4	0.3g	Embossed Carrier	2500
QJxx06VH4TP	QJxx06VH4	0.4g	Tube Pack	750(75 per tube)
QJxx06LH4TP	QJxx06LH4	2.2g	Tube Pack	1000(50per tube)
QJxx06RH4TP	QJxx06RH4	2.2g	Tube Pack	1000(50per tube)
QJxx06NH4TP	QJxx06NH4	1.6g	Tube Pack	1000(50per tube)
QJxx06NH4RP	QJxx06NH4	1.6g	Embossed Carrier	500
QJxx06L5TP	QJxx06L5	2.2g	Tube Pack	1000(50per tube)
QJxx06R5TP	QJxx06R5	2.2g	Tube Pack	1000(50per tube)
QJxx06N5TP	QJxx06N5	1.6g	Tube Pack	1000(50per tube)
QJxx06N5RP	QJxx06N5	1.6g	Embossed Carrier	500

Note: xx = voltage/10

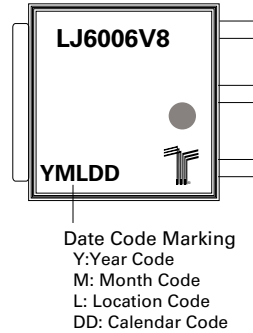
# LJxx06xx & QJxx06xHx & QJxx06xx Series

## 6 Amp High Temp Sensitive, Standard & Alternistor (High Communication) Triacs

### Part Numbering System

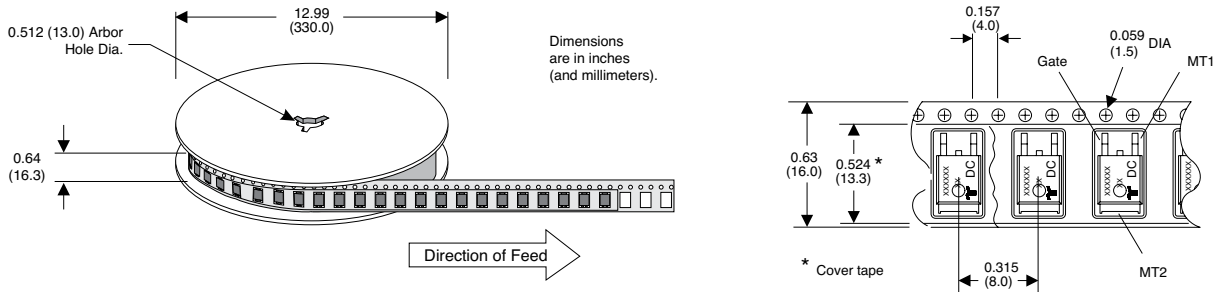


### Part Marking System



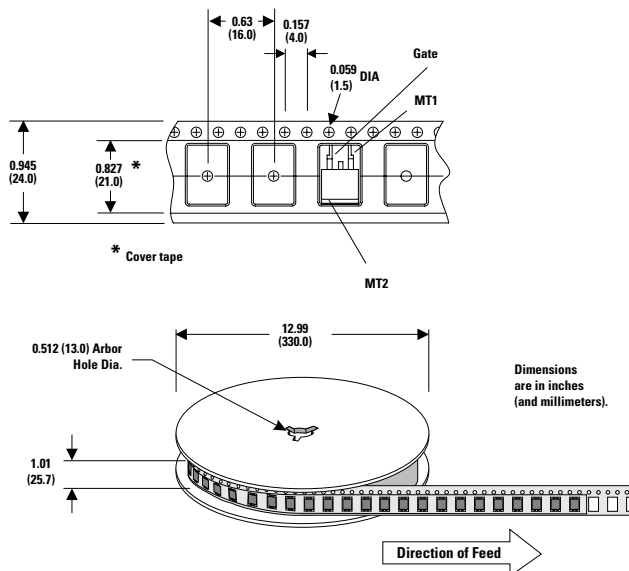
### TO-252 Embossed Carrier Reel Pack (RP) Specifications

Meets all EIA-481-2 Standards



### TO-263 Embossed Carrier Reel Pack (RP) Specifications

Meets all EIA-481-2 Standards



**Disclaimer Notice** - Information furnished is believed to be accurate and reliable. However, users should independently evaluate the suitability of and test each product selected for their own applications. Littelfuse products are not designed for, and may not be used in, all applications. Read complete Disclaimer Notice at <http://www.littelfuse.com/disclaimer-electronics>.

## X-ON Electronics

Largest Supplier of Electrical and Electronic Components

*Click to view similar products for [Triacs](#) category:*

*Click to view products by [Littelfuse](#) manufacturer:*

Other Similar products are found below :

[CTA08-1000CW](#) [CTB24-800BW](#) [CTA08-1000C](#) [CTA12-800BWPT](#) [CTA16-1000B](#) [CTB24-800B](#) [BT137-600-0Q](#) [5615](#) [OT415Q](#) [2N6075A](#)  
[NTE5629](#) [NTE5688](#) [CTB08-400CW](#) [D31410](#) [BTA425Z-800BTQ](#) [KS100N12](#) [TOPT16-800C0,127](#) [OT408,135](#) [BT134-800E](#) [BT136D](#)  
[BTB16Q-600BW](#) [Z0409MF](#) [BTA04-600B](#) [BTA06-600BRG](#) [BTA06-800BWRG](#) [BTA08-600BRG](#) [BTA08-800B](#) [BT136-600,127](#)  
[MAC97A6,116](#) [BT137-600E,127](#) [BTB16-600CW3G](#) [BTB16-600CW3G](#) [Z0109MN,135](#) [T825T-6I](#) [T1220T-6I](#) [NTE5638](#) [ACST1235-8FP](#)  
[BT136X-600E,127](#) [MAC4DLM-1G](#) [BT134-600D,127](#) [BTA08-600BW3G](#) [NTE56008](#) [NTE56017](#) [NTE56018](#) [NTE56059](#) [NTE5608](#)  
[NTE5609](#) [NTE5656](#) [NTE56020](#) [NTE56022](#)