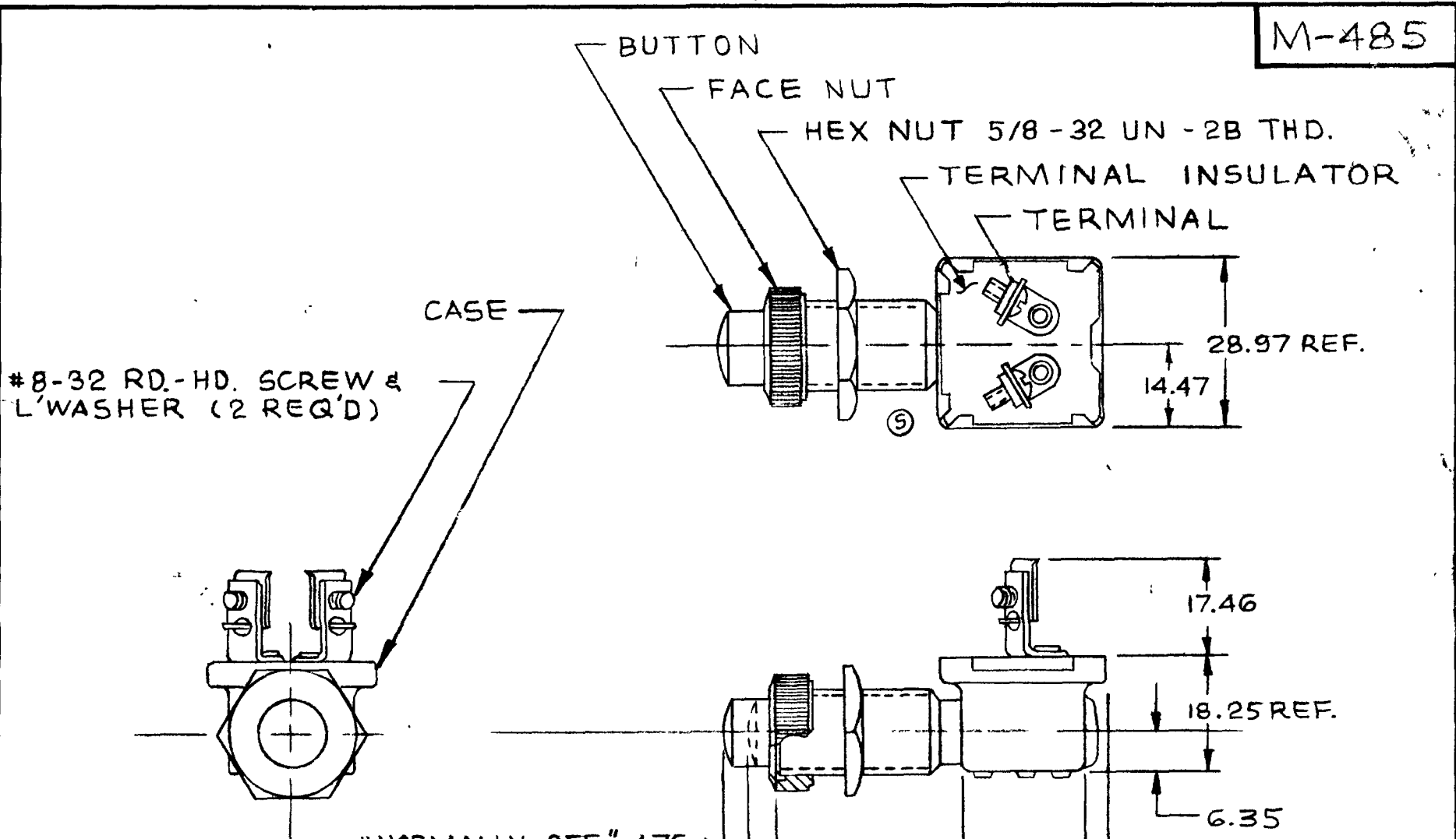


M-485

| | |
|-------|-------|
| MM | IN |
| 3.96 | .156 |
| 4.76 | .187 |
| 9.52 | .375 |
| 14.47 | .570 |
| 17.46 | .687 |
| 18.25 | .718 |
| 20.82 | .820 |
| 21.08 | .830 |
| 28.97 | 1.140 |
| 31.75 | 1.250 |
| 6.35 | .250 |



NOTES:

- 1. ALL METAL PARTS TO BE BRASS UNLESS OTHERWISE SPECIFIED
- 2. INSERTION PRESSURE 3 1/2 # TO 5 #

METRIC

3. ALL HARDWARE SHIPPED LOOSE

10 AMP5 @ 12 VDC

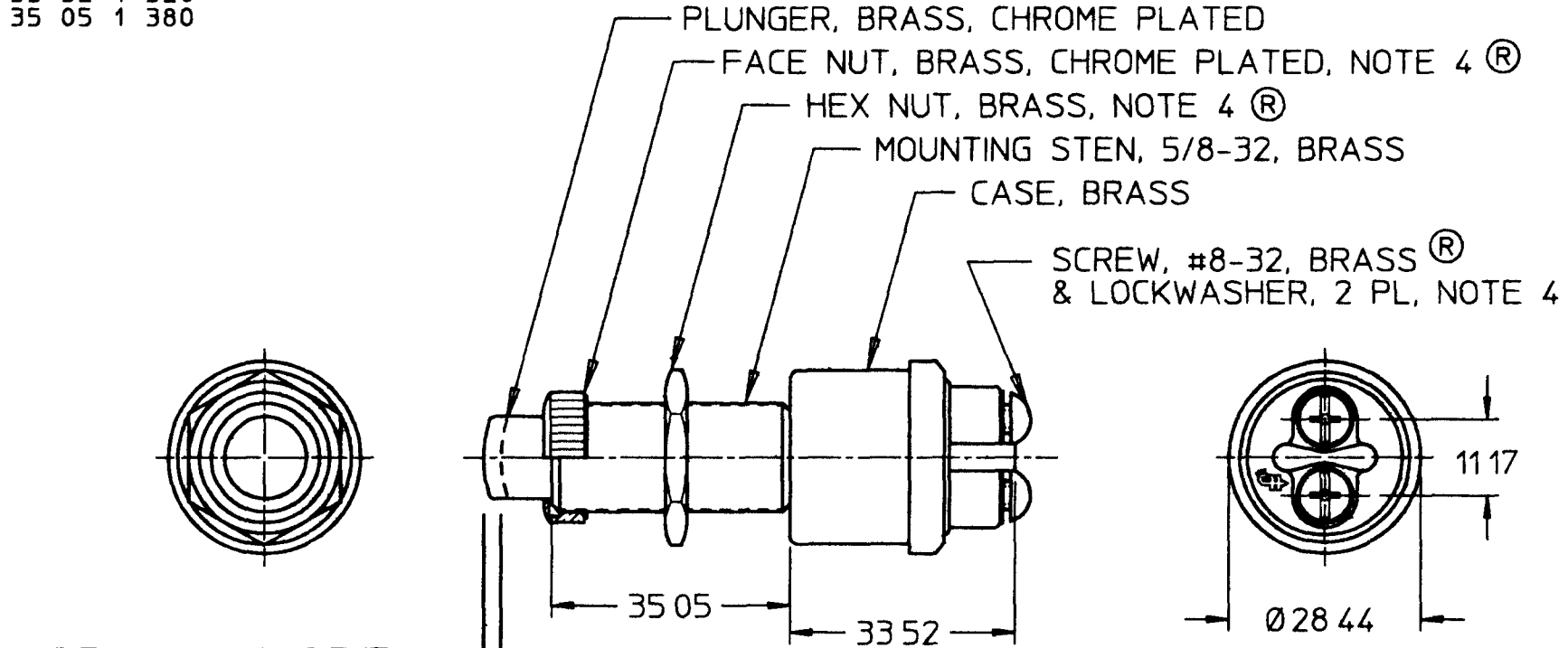
DO NOT SCALE

| LET | WAS | DATE | BY | LET | WAS | DATE | BY | MATERIAL | DRAWN | CHECKED | APPRVL | SCALE | DATE DRAWN | | | |
|-----|-----|------|----|-----|-----------------------------|----------|----|---------------------------------|---|---------|--------|-------|----------------|--|--|--|
| | | | | | | | | NOTED | JE | | | 1:1 | 3-3-50 | | | |
| | | | | | | | | FINISH | 20 DULL C. K. ONY AVENUE SOUTH BOSTON, MA. U.S.A. 02127 | | | | DATE BLUEPRINT | | | |
| | | | | T | ECN # 99193 | 5/13/99 | RF | NOTED | | | | | | | | |
| | | | | S | ECN # 27164 ADDED CUTOUT | 12-31-97 | mp | TOLERANCES | | | | | | | | |
| | | | | R | REDRAWN | 8/6/90 | BL | DECIMAL ± .015 METRIC ± .010 | SWITCH, MOMENTARY N.O. | | | | M-485 | | | |

CH-188(4-78)

M490

| MM | IN |
|-------------|----|
| 11 17 0 440 | |
| 28 44 1 120 | |
| 33 52 1 320 | |
| 35 05 1 380 | |



NORMALLY OPEN
 CLOSED
 SELF RETURN
 TO NORMALLY
 OPEN POSITION

- (R) NOTES
- 1 ALL DIMENSIONS ARE REFERENCE ONLY
 - 2 SILVERED CONTACT SURFACES
 - 3 RATING
 12V DC 35 AMPS
 24V DC 20 AMPS
 - 4 PARTS MAYBE ASSEMBLED OR SUPPLIED IN A BAG

METRIC

DO NOT SCALE

| LET | WAS | DATE | BY | LET | WAS | DATE | BY | MATERIAL | DRAWN | CHK | APVD | SCALE | DATE DRAWN |
|-----|-----|------|----|-----|------------|---------|-----|----------------------|--|-----|------|-------|------------------|
| | | | | | | | | | RD | JMP | | 11 | 12/14/53 |
| | | | | | | | | FINISH | Cole Hersee Co. 20 OLD COLONY AVENUE, BOSTON, MA., U.S.A., 02127 | | | | DATE BLUEPRINTED |
| | | | | R | ECN #26936 | 7/24/97 | AJS | TOLERANCES | SW, P-P, MOM | | | | M490 |
| | | | | P | PUT ON CAD | 7/26/96 | DPS | DECIMAL ± ANGLE ± | | | | | |

| Revision Control Record | | | |
|-------------------------|-----------------------|---------|----------|
| Rev. | Description of Change | ECH No. | Date |
| L | NOTE 3 | 00798 | 10/24/00 |
| | | | |
| | | | |

NOTES:
 1. ALL DIMENSIONS ARE REFERENCE ONLY
 2. RATING 10 AMPS @ 12V DC
 3. ALL HARDWARE SHIPPED LOOSE

| | | |
|--|---|--|
| DEFINITIONS: Unless otherwise specifically noted, the following apply to all dimensions: * All Dimensions are in inches unless otherwise noted. * Surface Finish: 32 Ra * Surface Dimensional Tolerance: ±0.005 * Angular Dimensional Tolerance: ±0.5 Deg. * Holes: Refer to applicable English Dimensional Tolerance Table - ASME Y14.5M-2009. All tolerances are non-compliance. | PROPRIETARY INFORMATION: This Engineering Drawing, and the information contained herein, is property of Cole Horse Company and may not be disclosed, reproduced, or in any way transmitted or incorporated in any other party without the express written consent of an authorized representative of Cole Horse Company. | For Specific Characteristics: Critical Characteristics, relating to Safety and/or Regulatory Compliance Significant Characteristics relating to Process Control (SPC) Critical Dimension relating to Form - Fit - Function as defined by Cole Horse Company and the Customer. Note that the identification of any Characteristics as being "Special" does not alter the requirement that ALL specified dimensions & tolerances must be met. |
|--|---|--|

Used On: _____

Scale: 1:1

Drawn By: S

Date: 9/30/54

Responsible Engineer: N/A

Cole Horse Co.
 20 Old Colony Ave., South Boston, MA, 02137
 Phone: 617-268-2100 Website: www.colehorseusa.com

Description: SWITCH, PUSH-PULL

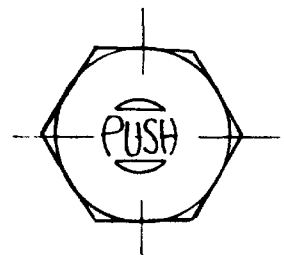
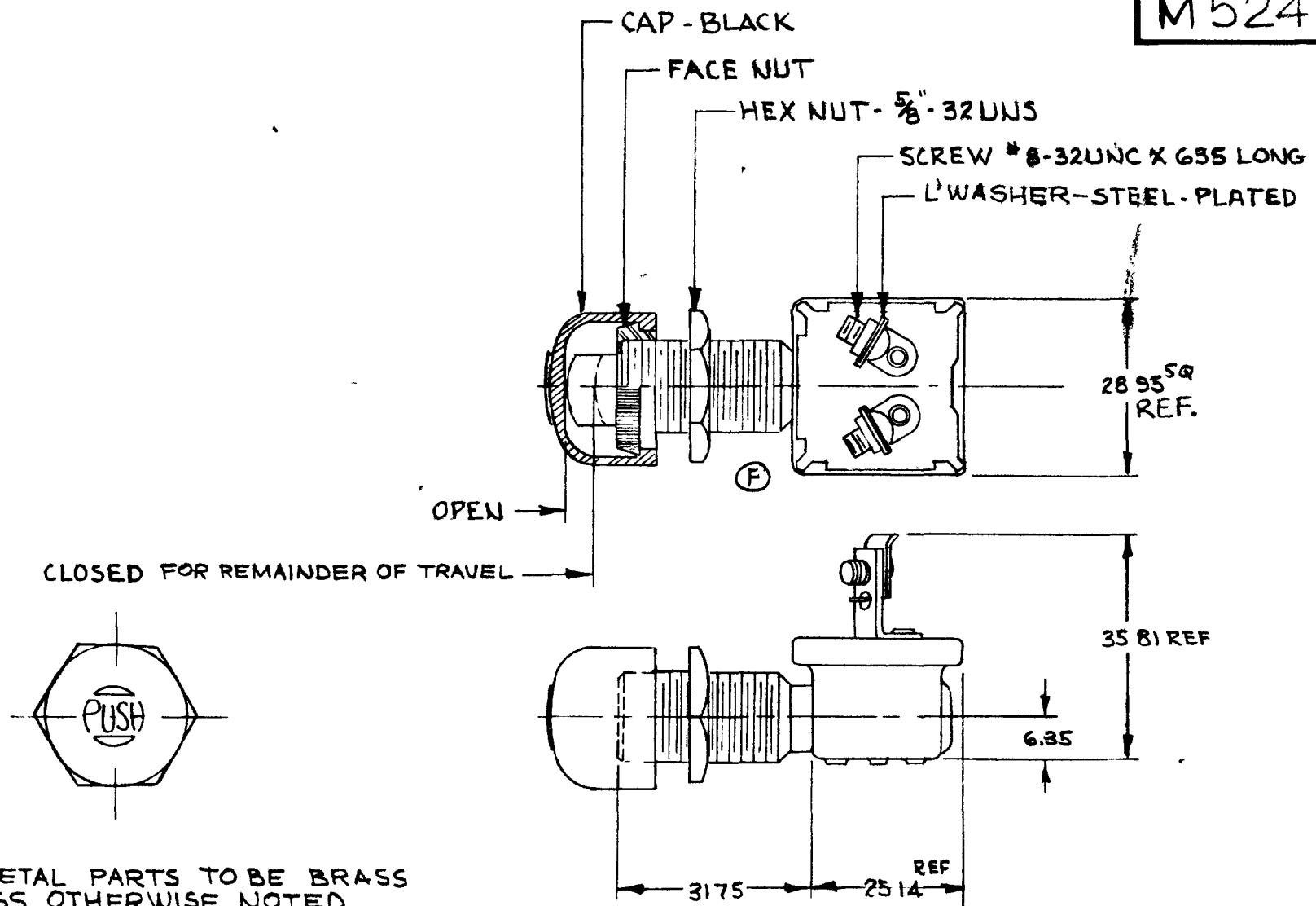
Drawing / Part No.: M492

Outstand Rev.: L

Pg. 1 of 1

MM IN
 0 25 010
 6 35 250
 25 14 990
 28 95 1140
 31 75 1250
 35 81 1410

M524



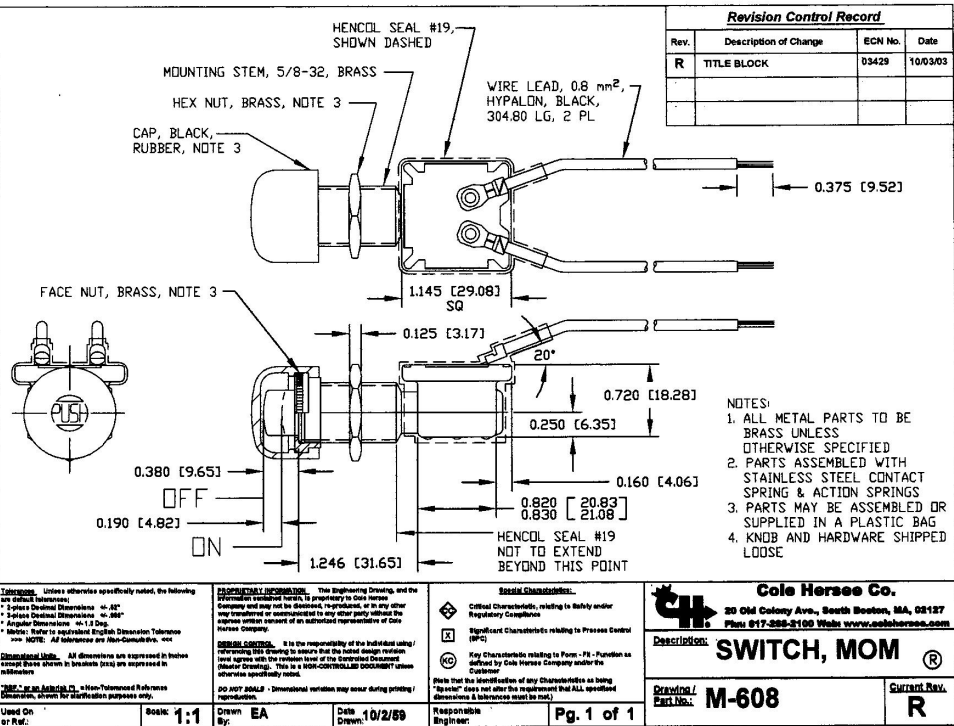
NOTES:
 1. ALL METAL PARTS TO BE BRASS UNLESS OTHERWISE NOTED.
 2. CAP AND HARDWARE SHIPPED LOOSE

METRIC

DO NOT SCALE

| LET | WAS | DATE | BY | LET | WAS | DATE | BY | MATERIAL | DRAWN | CHECKED | APPRV D | SCALE | DATE DRAWN |
|-----|-----|------|----|-----|---------------------------|----------|-----|---------------------------|--|---------|---------|-------|----------------|
| | | | | | | | | | EA | RJA | | 1:1 | 2-6-64 |
| | | | | | | | | FINISH | 20 OLD COLON ENCL SQ. BOS. CH. U.S. 02 2 | | | | DATE BLUEPRINT |
| | | | | G | ECN #19173 | 5/13/61 | PRF | | | | | | |
| | | | | F | ECN 27164 ADDED CUTOUT | 12-31-62 | HP | TOLERANCES | MOM. SWITCH NO | | | | M524 |
| | | | | E | REDRAWN | 3-24-67 | ZU | DECIMAL ± METRIC ±0.25 | | | | | |

CH 188(4 78)



- NOTES:
1. ALL METAL PARTS TO BE BRASS UNLESS OTHERWISE SPECIFIED
 2. PARTS ASSEMBLED WITH STAINLESS STEEL CONTACT SPRING & ACTION SPRINGS
 3. PARTS MAY BE ASSEMBLED OR SUPPLIED IN A PLASTIC BAG
 4. KNOB AND HARDWARE SHIPPED LOOSE

Tolerances: Unless otherwise specifically noted, the following are standard tolerances:
 * Linear Dimensional Dimensional - ±.005"
 * Angular Dimensional - ±1.0 Deg.
 * Hole: Hole is specified English Dimensional Tolerance
 * Hole: Hole is specified Metric Dimensional Tolerance

Dimensional Limits: All dimensions are expressed in inches except those shown in brackets (mm) are expressed in millimeters.

FORM is an American (A) - Non-Tolerance Reference Dimension, shown for identification purposes only.

Dimensional Information: The Engineering Drawing and the Specification constitute herein the property of Cole Horse Company and may not be disclosed, reproduced, or in any other way transmitted or communicated to any other party without the express written consent of an authorized representative of Cole Horse Company.

Special Controls: It is the responsibility of the individual using references like change to ensure that the latest design revision level agrees with the revision level of the Controlled Document. (Control Drawing). This is a **NON-CONTROLLED DOCUMENT** unless otherwise specifically noted.

ISO 9001: Dimensional variations may occur during printing/ reproduction.

Special Characteristics:

- Critical Characteristics, relating to Safety and/or Regulatory Compliance
- Significant Characteristics relating to Process Control (IPC)
- Key Characteristics relating to Form - Fit - Function as defined by Cole Horse Company and/or the Customer

Please list the identification of any Characteristics as being "Special" does not alter the requirement that ALL specified dimensions & tolerances must be met.

Cole Horse Co.
 20 Old Colony Ave., South Boston, MA, 02127
 Phone: 617-558-3100 Website: www.colehorse.com

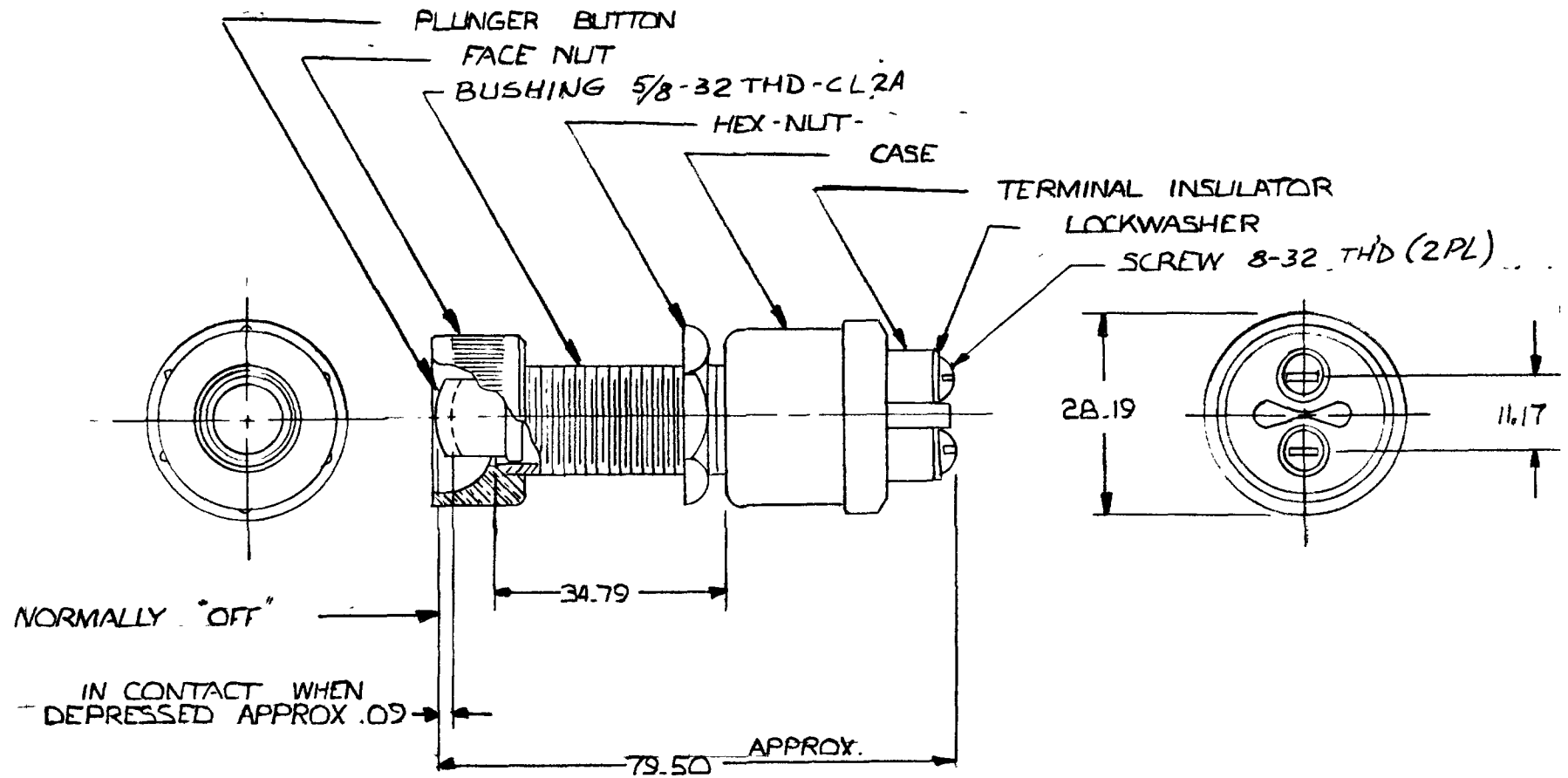
SWITCH, MOM ®

Drawing Part No. **M-608** Customer Rev. **R**

Used On: **1** of **1** Drawn By: **EA** Date: **01/2/09** Responsible Engineer: **Pg. 1 of 1**

M612

mm IN
 .09 .004
 11.17 .44
 28.19 1.11
 34.79 1.37
 79.50 3.13



NOTE:
 SILVER LAMINATED
 CONTACT SURFACES

35 AMPS @ 12V DC

METRIC

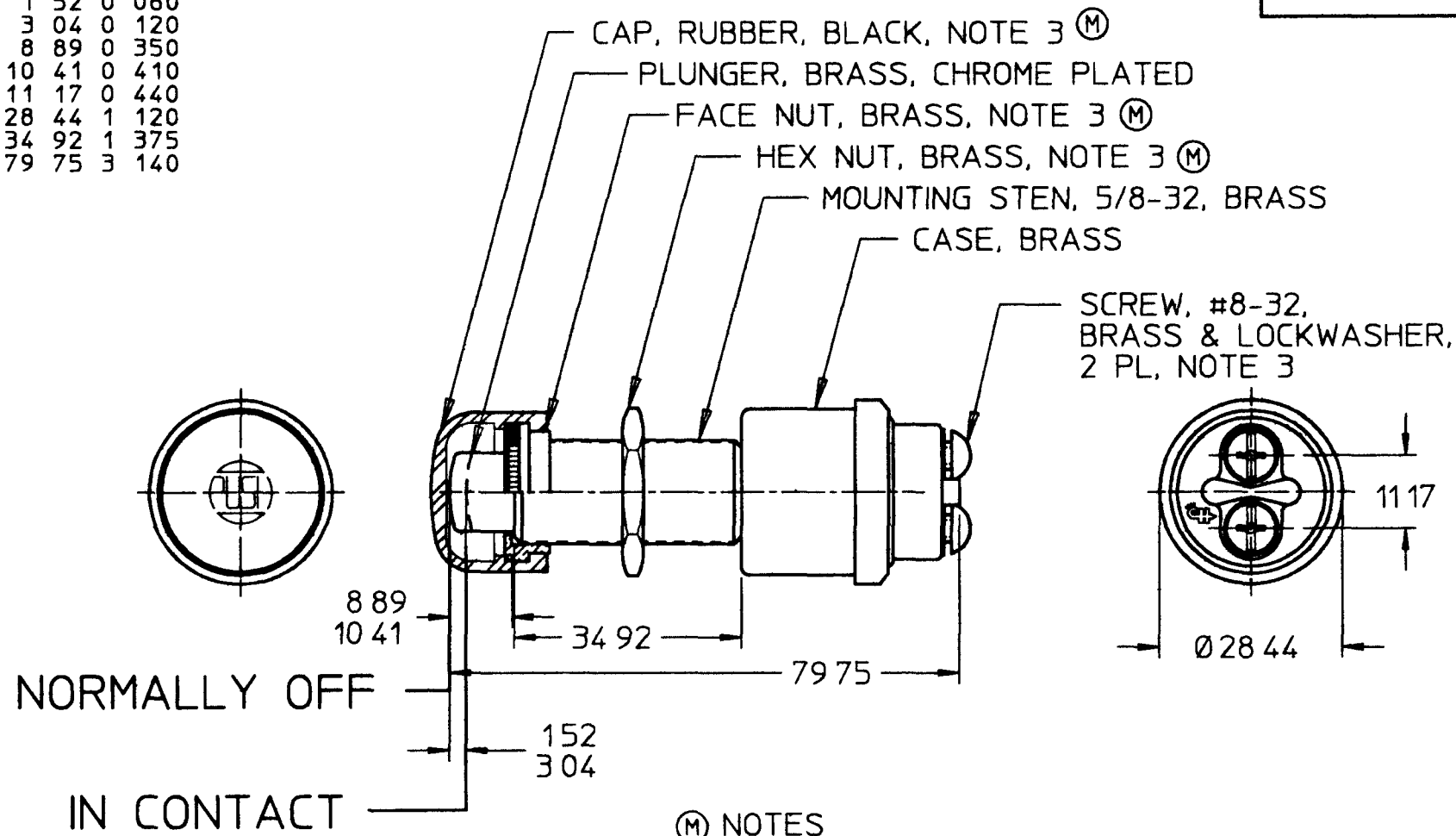
DO NOT SCALE

| LET | WAS | DATE | BY | LET | WAS | DATE | BY | MATERIAL | DRAWN | CHECKED | APPRV D | SCALE | DATE DRAWN |
|-----|-----|------|----|-----|---------|----------|-----------|--------------|--|---------|---------|-------|----------------|
| | | | | | | | | NOTED | J | K | HF | 1:1 | 12-18-87 |
| | | | | | | | | FINISH | Cole Hersee Co. <small>20 OLD COLONY AVENUE SOUTH BOSTON MA. U.S.A. 02127</small> | | | | DATE BLUEPRINT |
| | | | | | | | NOTED | | | | | | |
| | | | | | | | | TOLERANCES | HEAVY DUTY STARTER SWITCH | | | | M612 |
| | | | | | | | DECIMAL ± | | | | | | |
| | | | | | | | | METRIC ±.010 | | | | | |
| | | | | | REDRAWN | 12-21-87 | J | K | | | | | |

CH-188(4-78)

M626

| MM | IN |
|-------|-------|
| 1 52 | 0 060 |
| 3 04 | 0 120 |
| 8 89 | 0 350 |
| 10 41 | 0 410 |
| 11 17 | 0 440 |
| 28 44 | 1 120 |
| 34 92 | 1 375 |
| 79 75 | 3 140 |



NORMALLY OFF
IN CONTACT

- (M) NOTES
- 1 ALL DIMENSIONS ARE REFERENCE ONLY
 - 2 RATING
12V DC 35 AMPS
24V DC 20 AMPS
 - 3 PARTS MAY BE ASSEMBLED OR SUPPLIED IN A PLASTIC BAG

METRIC

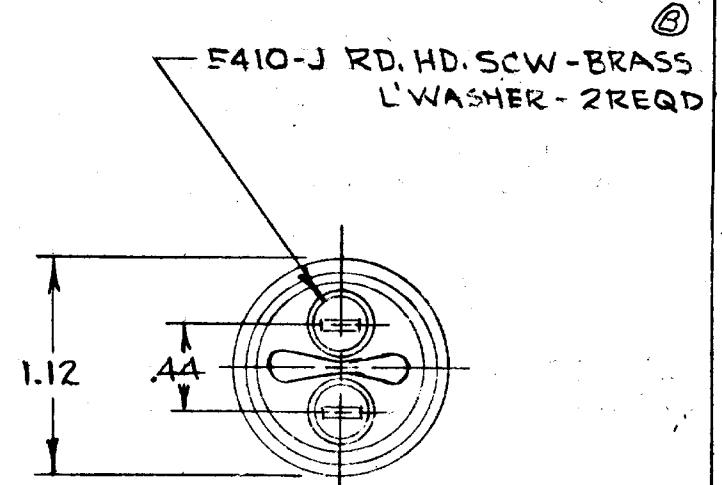
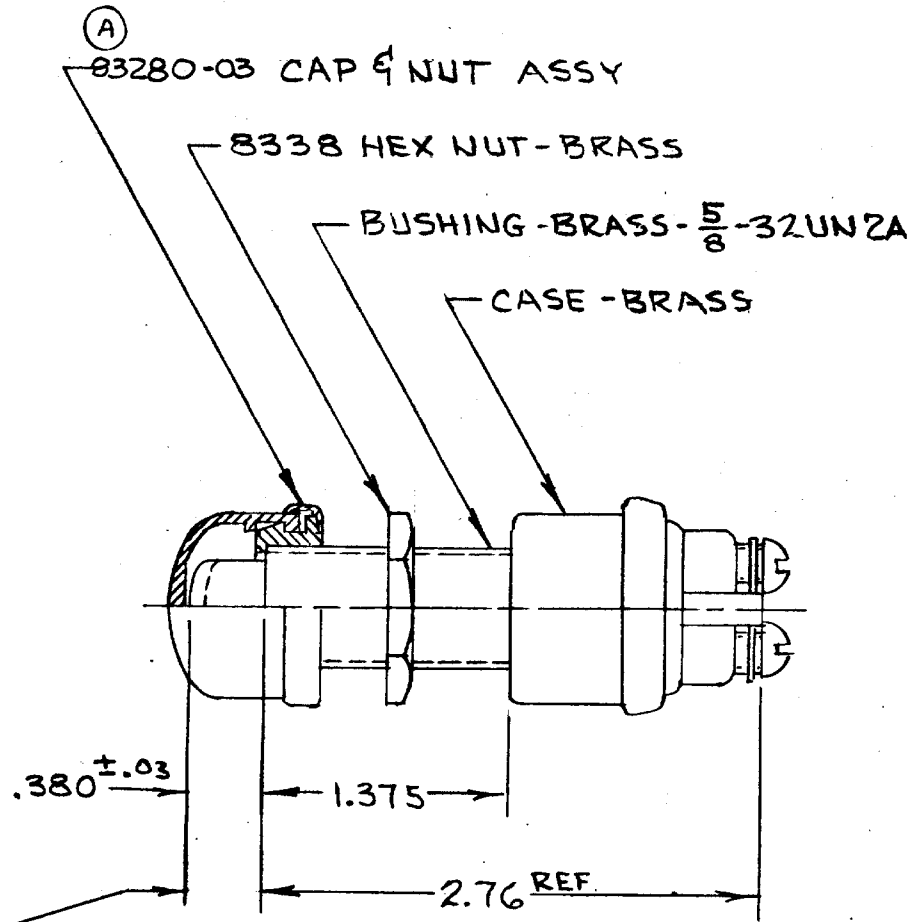
DO NOT SCALE

| LET | WAS | DATE | BY | LET | WAS | DATE | BY | MATERIAL | DRAWN | CHK | APVD | SCALE | DATE DRAWN |
|-----|-----|------|----|-----|----------------------------|---------|-----|----------------------|--|-----|------|-------|------------------|
| | | | | | | | | | PLB | JMP | | 11 | 12/27/56 |
| | | | | | | | | FINISH | Cole Hersee Co. 20 OLD COLONY AVENUE, BOSTON, MA, U.S.A. 02127 | | | | DATE BLUEPRINTED |
| | | | | M | ECN #26836 BAGGED PARTS | 7/25/97 | AJS | TOLERANCES | SW, P-P, MOM | | | | M626 |
| | | | | L | PUT ON CAD | 7/26/96 | DPS | DECIMAL ± ANGLE ± | | | | | |

COLE-HERSEE CO.

MPM

M626-02



CONTACTS NORMALLY OPEN.
 CLOSE WITH PLUNGER DEPRESSED
 .060-.120 & THRU REMAINDER
 OF TRAVEL.

| CURRENT RATINGS | |
|-----------------|---------|
| 35 AMPS | 12V. DC |
| 20 AMPS | 24V DC |

DO NOT SCALE

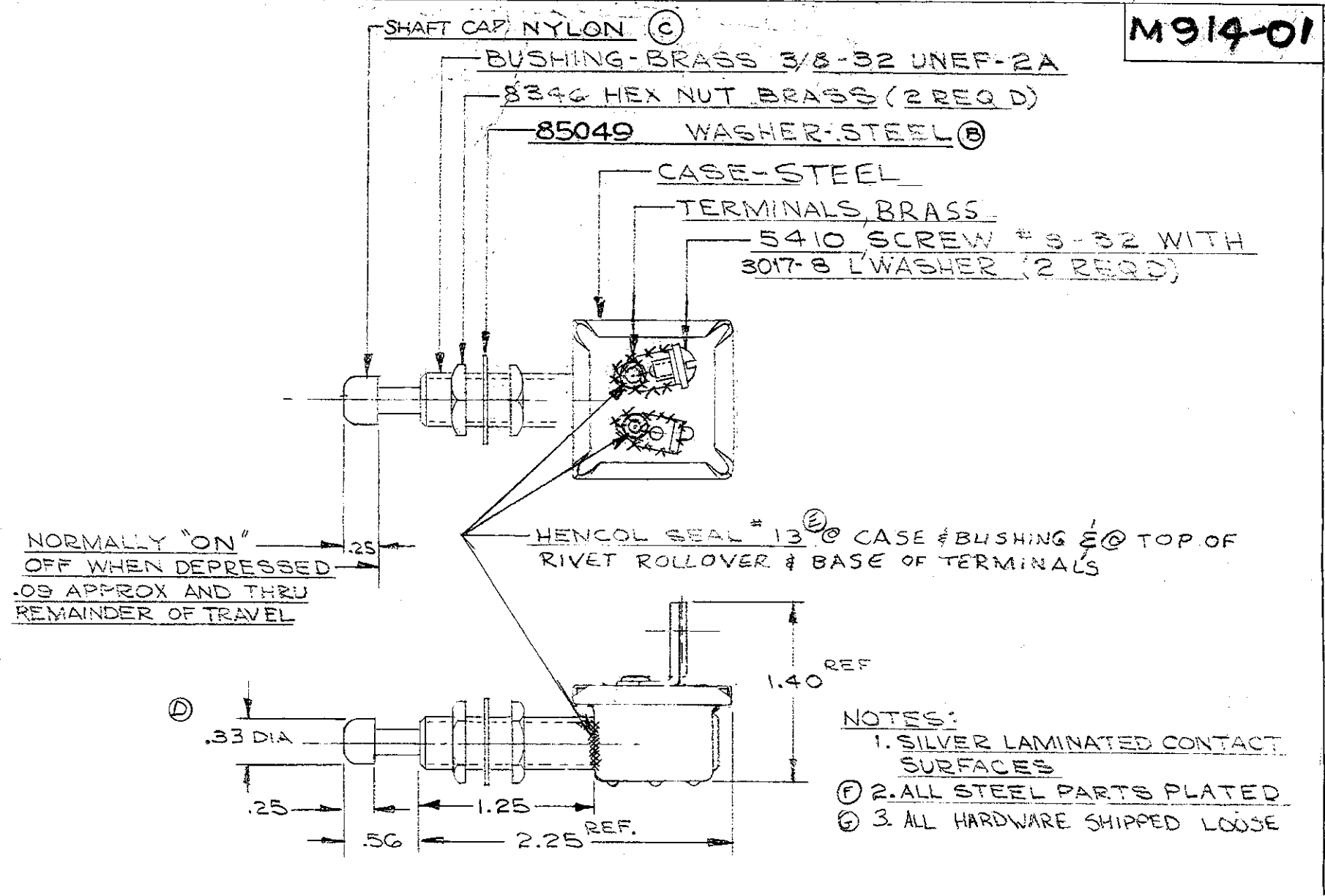
PEOBODY GALLION

| LET | WAS | DATE | BY | LET | WAS | DATE | BY | MATERIAL | DRAWN | CHECKED | APPR'D | SCALE | USED ON | DATE DRAWN | | | | | |
|-----|-----|------|----|-----|-------------|---------|----|---|---|---------|--------|-------|-------------------|----------------------------|--|--|--|--|--|
| | | | | | | | | $\frac{1}{2}$ | RJF | CB | | | M626 w/ 83280 CAP | 3-1-71 | | | | | |
| | | | | | | | | FINISH | COLE-HERSEE COMPANY BOSTON, MASS. 02127, U.S.A. | | | | | DATE BLUEPRINT | | | | | |
| | | | | B | ECN 23741 | 5-19-88 | JK | $\frac{1}{2}$ | | | | | | | | | | | |
| | | | | A | 83280 20662 | 8-2-79 | JV | | | | | | | | | | | | |
| | | | | T | Release | 8-25-71 | JF | TOLERANCE UNLESS SPECIFIED 2 DECIMAL + .010 3 DECIMAL + .005 ANGULAR + 2° | NAME STARTER SW. | | | | | PART NO. M626-02 | | | | | |

COLE-HERSEE CO.

EX 15357

M914-01



CONFIDENTIAL PROPERTY OF COLE HERSEE

DO NOT SCALE

| LET | WAS | DATE | BY | LET | WAS | DATE | BY | MATERIAL | DRAWN | CHECKED | APPRVD | SCALE | USED ON M914 LESS PVC, WITH EPOXY SEAL, & 1 L WASHER | DATE DRAWN |
|-----|---------------------|----------|----|-----|---------------|---------|-----|--|---|---------|--------|-------|--|----------------------------|
| | | | | D | .32 DIA/21629 | 2-16-82 | (B) | # | CF | LFG | | FULL | (A) | 3-12-69 |
| H | ECN 09002 | 1-16-69 | S | C | BUTTON/18761 | 9-6-74 | BW | FINISH | COLE-HERSEE COMPANY BOSTON, MASS. 02127, U.S.A. | | | | | DATE BLUEPRINT |
| G | ECU299913 | 5/13/69 | RF | B | 1220/12978 | 8-3-70 | JH | # | | | | | | |
| F | ZAS OR ZINC/25234 | 12/23/62 | JH | A | ADDED/16910 | 2-18-70 | JH | TOLERANCE UNLESS SPECIFIED 2 DECIMAL + .010 3 DECIMAL + .005 ANGULAR + 2' | NAME NORMALLY ON PLUNGER SWITCH | | | | | PART NO. M914-01 |
| E | REVISED HENCOL SEAL | 3/27/84 | PS | | ISSUED | 3-17-64 | 7 | | | | | | | |

X-ON Electronics

Largest Supplier of Electrical and Electronic Components

Click to view similar products for [Pushbutton Switches](#) category:

Click to view products by [Littelfuse](#) manufacturer:

Other Similar products are found below :

[8940K2012](#) [LW1L-M1C10V-A](#) [LW1L-M1C70-A](#) [LW2L-A1C20M-GD](#) [LW2L-M1C20M-A](#) [60324L](#) [M22-D-R-GB0/K11](#) [M7E-HRN2](#)
[67021K512](#) [67081K512X](#) [701PB580](#) [7190K101](#) [7199K101](#) [810K12910](#) [810KSV30B](#) [MML21EA2ADK](#) [MML21KA3ABK](#)
[MML23KA3AC05K-001](#) [MML23KW3AA01W](#) [8418K2](#) [8442K3](#) [8450K1](#) [860K11911T01A](#) [861901](#) [861K11911T01A07](#)
[861K13810T00A14](#) [861K13911](#) [8646AB6X718UL](#) [8646ABUL](#) [9001KXRK](#) [907AYY100](#) [PMHD155A1](#) [95-313.000](#)
[9533CD4+U574+U4922](#) [95-414.000](#) [99-450.837](#) [99-453.837](#) [PV3H2B0NN-341](#) [1203MRA](#) [A22NZBGANGA](#) [A22NZBMMNGA](#)
[A22NZBNANGA](#) [A22NZMPATRA](#) [A2PMA1X03EC56](#) [A3A-5123-02](#) [A3A-7140](#) [A3A-7310](#) [A3A-7340](#) [A3U-TMW-A2C-5M](#) [A595](#)