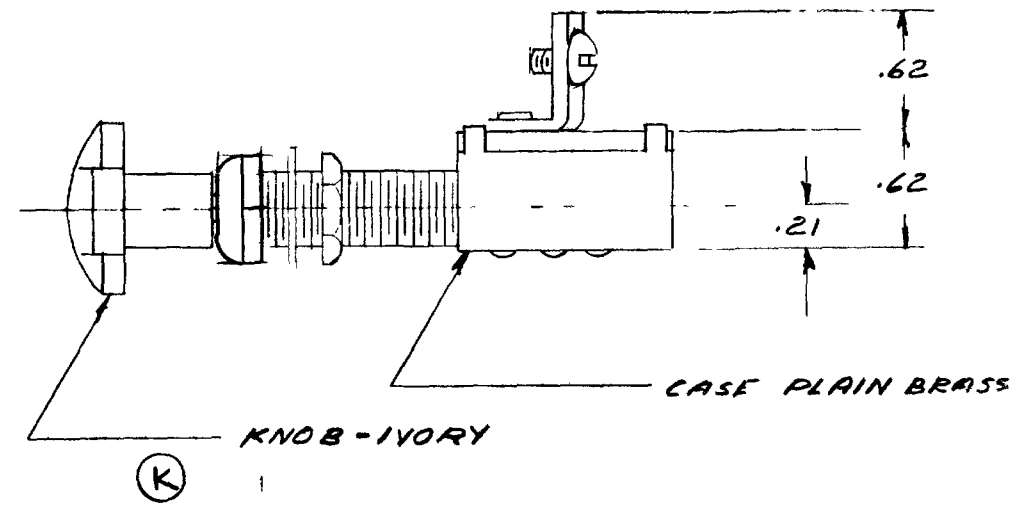
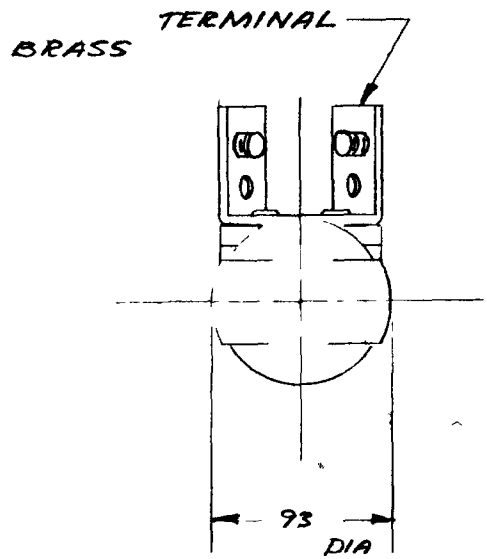
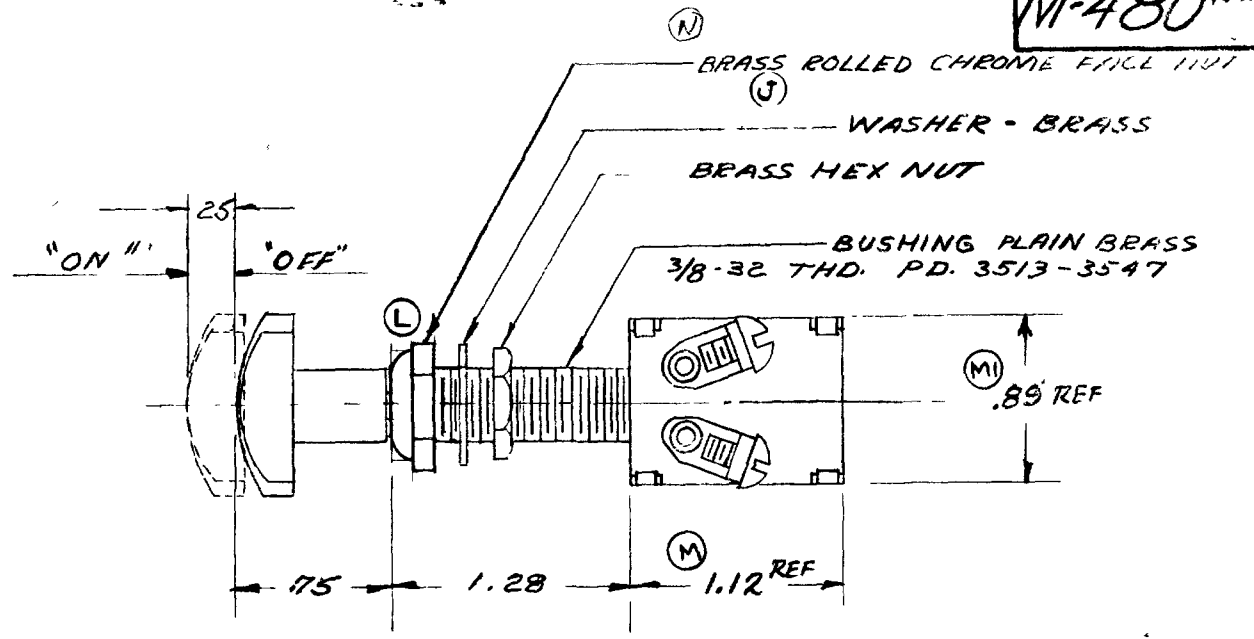


COLE-HERSEE CO.

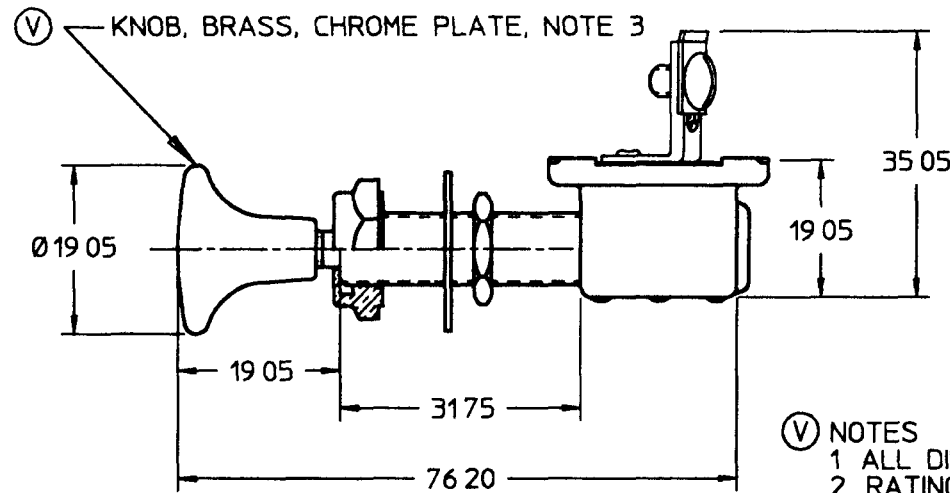
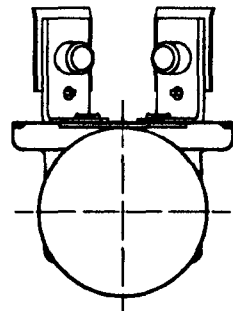
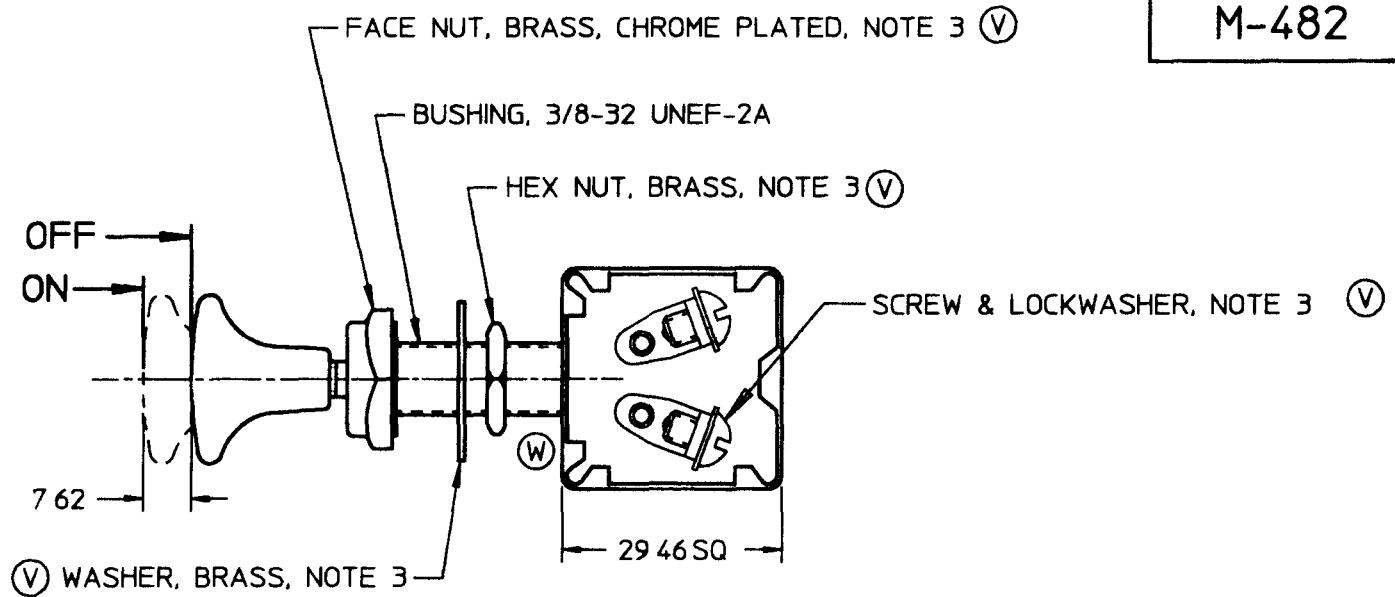
M-480 REV



LET	WAS	DATE	BY	LET	WAS	DATE	BY	MATERIAL	DRAWN	CHECKED	APPR V D	SCALE	USED ON	DATE DRAWN
				M	1.25	17578	1-11-72	RI		E.P.	J.S.	AWB	1=1	3-8-50
				M1	.84									
				L	NEW FACE NUT	17016	7-27-70	JH	FINISH					DATE ISSUED
				K	8162	1A162	6-8-64	EA		I	COLE-HERSEE COMPANY BOSTON 27, MASS. U.S.A.			
				J	BR330	11102	11-15-60	EA	TOLERANCES	NAME			PART NO	
N	R302	119564	5-16-7	JH	H	REVISED REDUCTION	4-21-60	WLB	FRACTIONAL ± .15 DECIMAL ± .010	PUSH PULL SWITCH			M-480 REV	

MM	IN
7 62	0 300
19 05	0 750
29 46	1 160
31 75	1 250
35 05	1 380
76 20	3 000

M-482



- (V) NOTES
- 1 ALL DIMENSIONS ARE REFERENCE
  - 2 RATING 12 VDC, 10 AMPS
  - 3 KNOB AND HARDWARE SHIPPED LOOSE

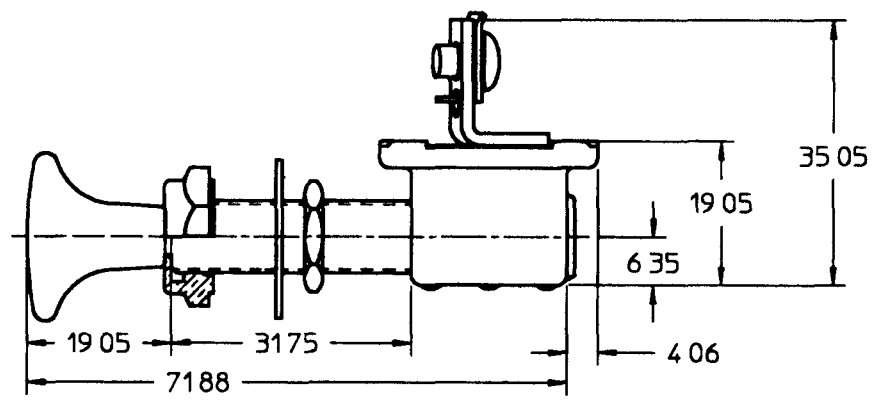
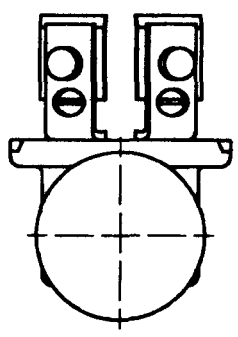
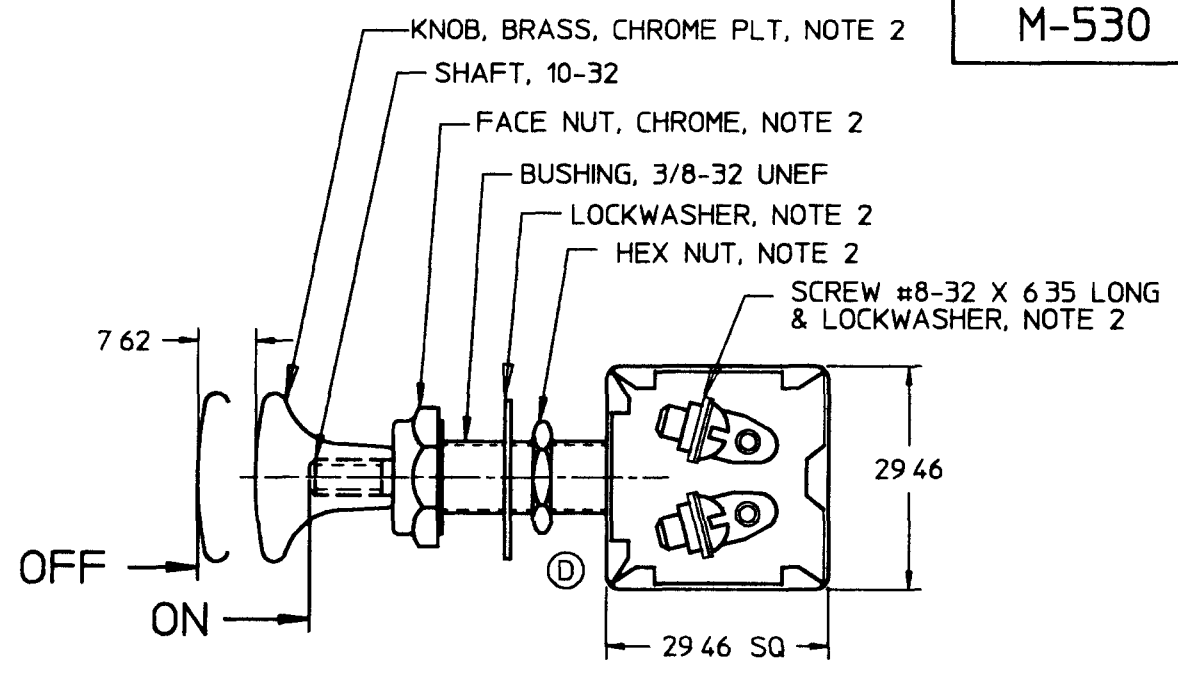
METRIC

DO NOT SCALE

LET	WAS	DATE	BY	LET	WAS	DATE	BY	MATERIAL	DRAWN	CHK	APVD	SCALE	DATE DRAWN
									EA	DB		11	12/6/48
								FINISH	<b>Cole Hersee Co.</b> 20 OLD COLONY AVENUE, BOSTON, MA, U.S.A., 02127				DATE BLUEPRINTED
				X	ECN #99173	05/13/99	JRF						
				W	ECN #27164 ADDED CUTOUT ON EAR	12/17/97	JMP	TOLERANCES	SW, PUSH-PULL				M-482
				V	PUT ON CAD ECN #26936	7/29/97	AJS	DECIMAL ± ANGLE ±					

M-530

MM	IN
4 06	0 160
6 35	0 250
7 62	0 300
19 05	0 750
22 09	0 870
29 46	1 160
31 75	1 250
35 05	1 380
71 88	2 830



METRIC

NOTES  
 1 ALL DIMENSIONS ARE REFERENCE  
 2 KNOB AND HARDWARE SHIPPED LOOSE  
 (E)

DO NOT SCALE

LET	WAS	DATE	BY	LET	WAS	DATE	BY	MATERIAL	DRAWN	CHK	APVD	SCALE	DATE DRAWN
									S	DR		11	3/24/94
				E	ECN #99173	05/13/99	JRF	FINISH	<b>Cole Hersee Co.</b> 20 OLD COLONY AVENUE, BOSTON, MA, U.S.A. 02127				DATE BLUEPRINTED
				D	ECN #27164 ADDED CUTOUT	12/31/97	JMP	TOLERANCES	SW,P-P,2POS,2POL				M-530
				C	PUT ON CAD ECN #26975	8/22/97	AJS	DECIMAL ± ANGLE ±					

<b>LEGEND</b> B BATTERY A ANCHOR LIGHTS H RUNNING LIGHTS		<b>Revision Control Record</b> <table border="1" style="width: 100%; border-collapse: collapse;"> <thead> <tr> <th>Rev.</th> <th>Description of Change</th> <th>ECH No.</th> <th>Date</th> </tr> </thead> <tbody> <tr> <td>D</td> <td>NEW TERM INSUL. SA CASE SA</td> <td>00722</td> <td>10/17/00</td> </tr> <tr> <td>E</td> <td>NOTE 2</td> <td>00796</td> <td>10/24/00</td> </tr> <tr> <td>F</td> <td>REMOVE LOCKWASHERS</td> <td>01227</td> <td>4/17/01</td> </tr> </tbody> </table>	Rev.	Description of Change	ECH No.	Date	D	NEW TERM INSUL. SA CASE SA	00722	10/17/00	E	NOTE 2	00796	10/24/00	F	REMOVE LOCKWASHERS	01227	4/17/01
Rev.	Description of Change	ECH No.	Date															
D	NEW TERM INSUL. SA CASE SA	00722	10/17/00															
E	NOTE 2	00796	10/24/00															
F	REMOVE LOCKWASHERS	01227	4/17/01															
<p><b>NOTES:</b>          1. ALL DIMENSIONS ARE REFERENCE ONLY          2. ALL HARDWARE AND KNOB SHIPPED LOOSE</p>																		
<p><b>Tolerances:</b> Unless otherwise specifically noted, the following are to be used:          * Unless Dimensional Dimension is .05"          * Unless Dimensional Dimension is .002"          * Unless Dimensional Dimension is 1.3 Dia.          * UNLESS OTHERWISE SPECIFIED, DIMENSIONS ARE EXPRESSED IN INCHES          ** NOTE: All dimensions are Non-Conservative.</p>	<p><b>KEY TO SYMBOLS:</b> This Engineering Drawing, and the associated drawings, are the property of Cole Hersee Company and may not be distributed, reproduced, or in any other way transmitted or communicated to any other party without the express written consent of an authorized representative of Cole Hersee Company.</p>	<p><b>Key for Special Characteristics:</b>          ⚡ Critical Characteristics, relating to Safety and/or Regulatory Compliance          ⚠ Significant Characteristics relating to Process Control (IPC)          Ⓢ Critical Dimension Handling by Part. (Refer to drawing for details)          Ⓢ Critical Dimension Handling by Part. (Refer to drawing for details)          Ⓢ Critical Dimension Handling by Part. (Refer to drawing for details)</p>																
<p><b>Dimensional Units:</b> All dimensions are expressed in inches unless otherwise specified. (All dimensions are expressed in inches unless otherwise specified.)</p>	<p><b>UNLESS OTHERWISE SPECIFIED:</b> It is the responsibility of the individual using this drawing to ensure that the total design meets the requirements of the customer and that the design is in accordance with the requirements of the customer. This is a Non-Conservative Drawing unless otherwise specifically noted.</p>	<p><b>While the identification of any characteristics as being "critical" does not alter the requirement that ALL specified dimensions &amp; tolerances must be met.</b></p>																
<p>Used On or For:</p>	<p>Scale: <b>1:1</b></p>	<p>Drawn: <b>JWH</b> Date: <b>2/26/46</b>          By: <b>JRV</b> Checked: <b>JRV</b>          Responsible Engineer: <b>JRV</b></p>																
<p><b>Cole Hersee Co.</b>          20 Old Colony Ave., South Boston, MA, 02127          Phone: 617-288-3100 Web: www.colehersee.com</p>		<p><b>Description:</b> 3 POS LIGHT SWITCH</p>																
<p>Drawing Part No.: <b>M531</b></p>	<p>Current Rev.: <b>F</b></p>																	
<p>Pg. 1 of 1</p>																		

LEGEND	Revision Control Record
A ACCESSORY	Rev. Description of Change ECH No. Date
B BATTERY	B TERM INSUL SA, CASE SA 00717 10/18/00
C ANCHOR L.T.S.	C NOTE 3 00798 10/24/00
H RUNNING L.T.S.	D CHANGED TEXT 01409 7/16/01

KNOB, CHROME PLATED, NOTE 3  
 FACENUT, CHROME PLATED, NOTE 3  
 MOUNTING STEM, 3/8-32, BRASS  
 WASHER, BRASS, NOTE 3  
 HEX NUT, BRASS, NOTE 3

0.750 [19.05]  
 1.284 [32.60]  
 0.625 [15.88]  
 1.030 [26.16]  
 1.427 [36.24]  
 0.312 [7.92]  
 1.816 [46.13]

SCREWS & LOCKWASHER, 8-32, BRASS, NOTE 3

OFF  
 ON B, R, & A  
 ON B, R, & H

NOTES:  
 1. ALL STEEL PARTS PLATED  
 2. ALL DIMENSIONS REFERENCE ONLY  
 3. ALL HARDWARE AND KNOB SHIPPED LOOSE

**Notes:**

UNLESS OTHERWISE SPECIFICALLY NOTED, THE FOLLOWING APPLY TO ALL DIMENSIONS:

- \* Unless Dimensional Tolerance is .00"
- \*\* Unless Dimensional Tolerance is .005"
- \*\*\* Unless Dimensional Tolerance is .010"
- \*\*\*\* Unless Dimensional Tolerance is .015"
- \*\*\*\*\* Unless Dimensional Tolerance is .020"

NOTE: All dimensions are Non-Decimal.

DATE: 12/8/64

BY: EA

**TERMS:** Unless otherwise specifically noted, the following apply to all dimensions:

- \* Unless Dimensional Tolerance is .00"
- \*\* Unless Dimensional Tolerance is .005"
- \*\*\* Unless Dimensional Tolerance is .010"
- \*\*\*\* Unless Dimensional Tolerance is .015"
- \*\*\*\*\* Unless Dimensional Tolerance is .020"

NOTE: All dimensions are Non-Decimal.

DATE: 12/8/64

BY: EA

**COLE HERSEE CO.**  
 20 Old Colony Ave., South Boston, MA, 02127  
 PHN 617-268-2100 FAX 617-268-2100

**DESCRIPTION:** PUSH PULL SWITCH

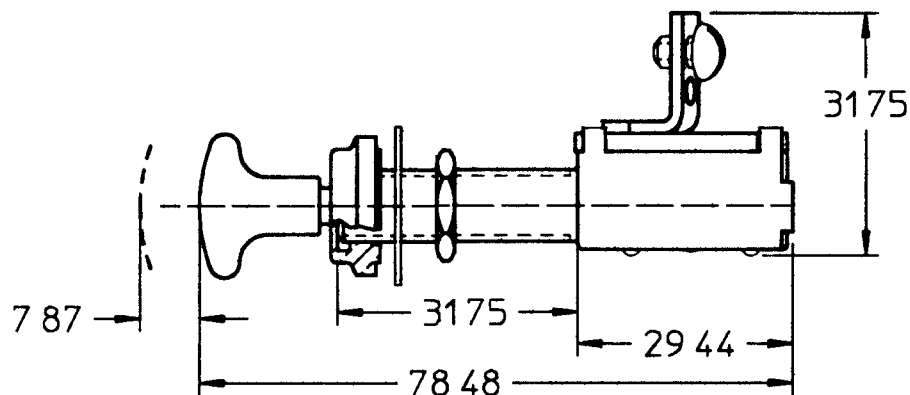
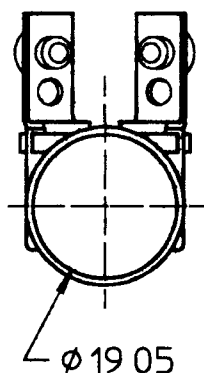
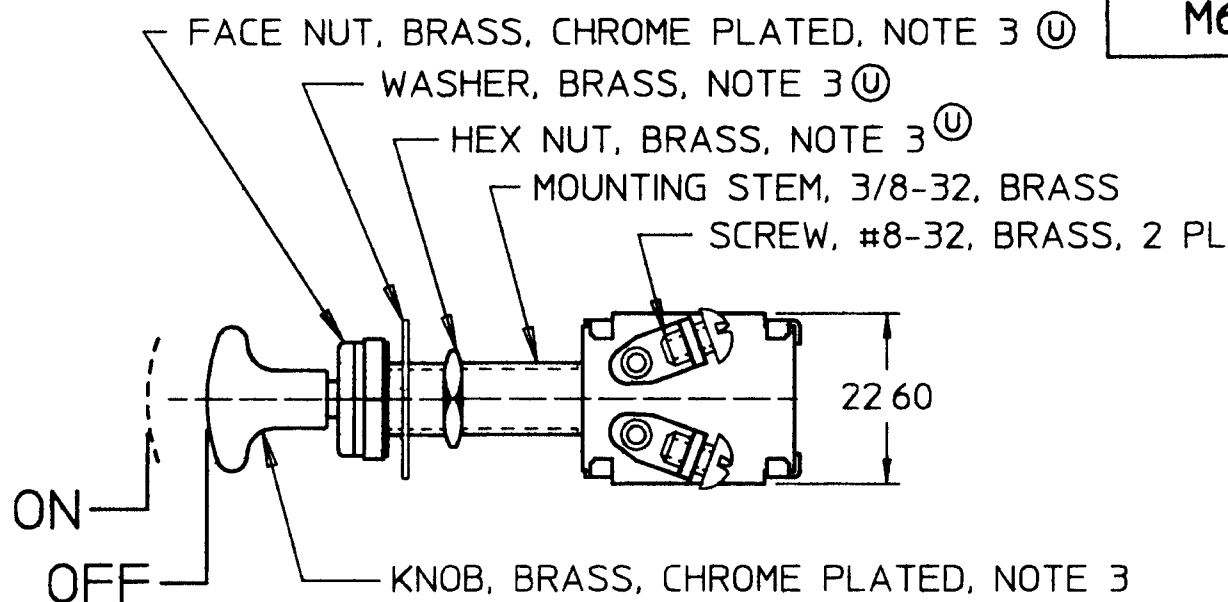
**DATE:** 12/8/64

**REVISION:** D



M628

MM	IN
7 87 0	310
19 05 0	750
22 60 0	890
29 44 1	160
31 75 1	250
78 84 3	090



- Ⓢ NOTES
- 1 ALL DIMENSIONS ARE REFERENCE ONLY
  - 2 RATING 10 AMPS @ 12V DC
  - 3 PARTS MAY BE ASSEMBLED OR SUPPLIED IN A PLASTIC BAG

METRIC

DO NOT SCALE

LET	WAS	DATE	BY	LET	WAS	DATE	BY	MATERIAL	DRAWN	CHK	APVD	SCALE	DATE DRAWN
									PLB	JMP		11	10/30/57
								FINISH	<b>Cole Hersee Co.</b> 20 OLD COLONY AVENUE, BOSTON, MA, U.S.A. 02127			DATE BLUEPRINTED	
				U	ECN #26936	7/29/97	AJS	TOLERANCES	SWITCH, PUSH-PULL			M628	
				T	PUT ON CAD	7/23/96	DPS	DECIMAL ± ANGLE ±					

COLE-HERSEE CO.

SHAFT BRASS  
10-32 UNC-2A THD.  
8113-10 KNOB  
BRASS CHROME PL.

8342 FACE NUT BRASS CHROME PL.  
5019-B16  $\odot$  WASHER BRASS

M-630

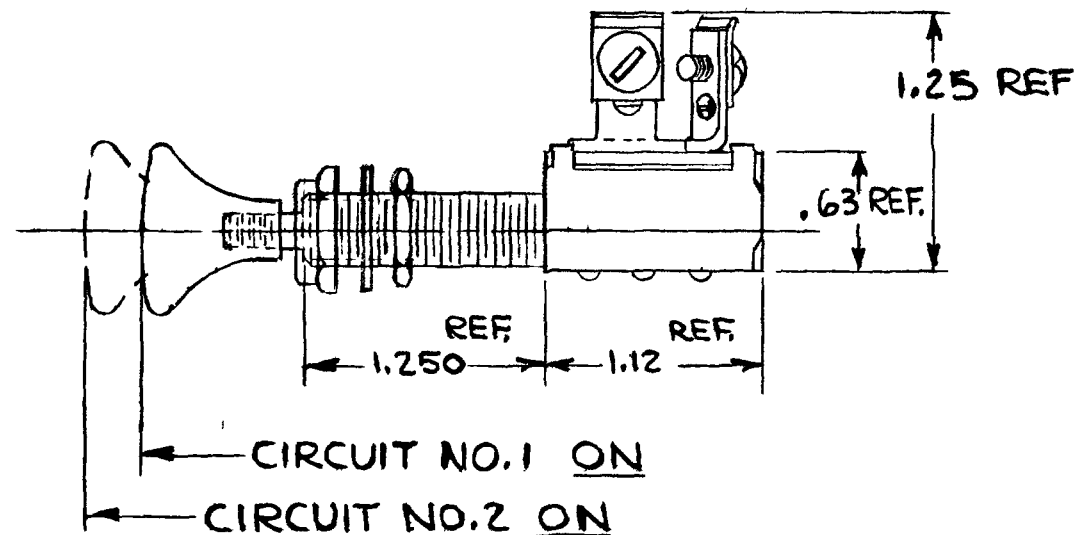
8346 HEX NUT BRASS

BUSHING BRASS  $\frac{3}{8}$ -32 UNEF-2A

M485-17 SCREW 8-32 UNC X  $\frac{1}{4}$   
BRASS 3 REQD.

3017-8 SHAKEPROOF L'WASHER  
STEEL - CAD PLATE  
TERMINALS BRASS

TERMINAL INSULATOR



DO NOT SCALE

LET	WAS	DATE	BY	LET	WAS	DATE	BY	MATERIAL	DRAWN	CHECKED	APPR V D	SCALE	USED ON	DATE DRAWN
								H	JP	LPG		FULL		1-13-58
								H	COLE-HERSEE COMPANY					DATE BLUEPRINT
									BOSTON MASS 02127 USA					
				D	88530/18923	1-2-76	WJH	TOLERANCE UNLESS SPECIFIED 2 DECIMAL 010 3 DECIMAL 005 ANGULAR 2	NAME PUSH-PULL SWITCH					PART NO M-630
				C	REDRAWN NO CHANGE	1-28-70	BL							



## X-ON Electronics

Largest Supplier of Electrical and Electronic Components

*Click to view similar products for [Pushbutton Switches](#) category:*

*Click to view products by [Littelfuse](#) manufacturer:*

Other Similar products are found below :

[8940K2012](#) [LW1L-M1C10V-A](#) [LW1L-M1C70-A](#) [LW2L-A1C20M-GD](#) [LW2L-M1C20M-A](#) [60324L](#) [M22-D-R-GB0/K11](#) [M7E-HRN2](#)  
[67021K512](#) [67081K512X](#) [701PB580](#) [7190K101](#) [7199K101](#) [810K12910](#) [810KSV30B](#) [MML21EA2ADK](#) [MML21KA3ABK](#)  
[MML23KA3AC05K-001](#) [MML23KW3AA01W](#) [8418K2](#) [8442K3](#) [8450K1](#) [860K11911T01A](#) [861901](#) [861K11911T01A07](#)  
[861K13810T00A14](#) [861K13911](#) [8646AB6X718UL](#) [8646ABUL](#) [9001KXRK](#) [907AYY100](#) [PMHD155A1](#) [95-313.000](#)  
[9533CD4+U574+U4922](#) [95-414.000](#) [99-450.837](#) [99-453.837](#) [PV3H2B0NN-341](#) [1203MRA](#) [A22NZBGANGA](#) [A22NZBMMNGA](#)  
[A22NZBNANGA](#) [A22NZMPATRA](#) [A2PMA1X03EC56](#) [A3A-5123-02](#) [A3A-7140](#) [A3A-7310](#) [A3A-7340](#) [A3U-TMW-A2C-5M](#) [A595](#)