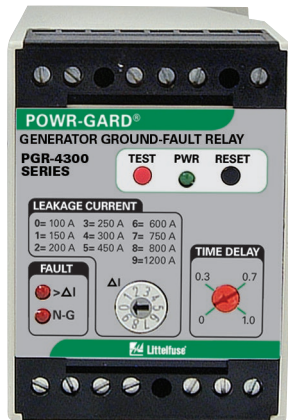
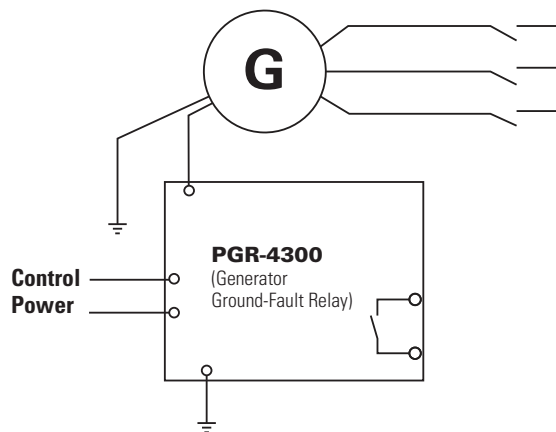


# PGR-4300 SERIES (GFA300)

## Generator Ground-Fault Relay



### Simplified Circuit Diagram



### Description

The PGR-4300 Generator Ground-Fault Relay provides a simple method for detecting a ground-fault condition on generators without the need for current transformers (CTs). This greatly simplifies the installation. In addition, it is compatible with both three- and four-pole transfer switches. This relay also monitors the neutral-to-ground path for continuity. The PGR-4300 is ideal for any generator or application where there is not sufficient space to install CTs.

### Features & Benefits

FEATURES	BENEFITS
<b>No CTs required</b>	Saves space and simplifies installation
<b>Adjustable pickup (100 - 1200 A)</b>	Adjustable trip setting provides a wide range of protection and allows system coordination
<b>Adjustable time delay (0 - 1.0 s)</b>	Adjustable trip delay allows quick protection and system coordination
<b>Output contacts</b>	Form C ground-fault output contacts for alarming or tripping purposes
<b>Analog output (0 - 1 mA)</b>	Provides means for connecting to an optional meter (PGA-0500) or control system
<b>N-G continuity alarm</b>	Monitors neutral-to-ground integrity and alarms if ground path becomes open circuit
<b>Passive filtering</b>	Eliminates nuisance tripping

### Accessories



**PGA-0500 Analog % Current Meter**  
Optional panel-mounted analog meter displays ground-fault current as a percentage of the set-point.

### Ordering Information

ORDERING NUMBER	CONTROL POWER
PGR-4300-12	12 Vdc
PGR-4300-24	24 Vdc
PGR-4300-120	120 Vac
ACCESSORIES	REQUIREMENT
PGA-0500	Optional
PMA-55	Optional
PMA-60	Optional

Note: For optional conformal coating please consult factory.

### Specifications

<b>IEEE Device Numbers</b>	Ground Fault (50G/N, 51G/N)
<b>Input Voltage</b>	See ordering information
<b>Dimensions</b>	<b>H</b> 75 mm (3.0"); <b>W</b> 55 mm (2.2"); <b>D</b> 115 mm (4.5")
<b>Trip Level Settings</b>	100-1200 A
<b>Trip Time Delay Settings</b>	0-1.0 s
<b>Contact Operating Mode</b>	Non-fail-safe
<b>Test Button</b>	Local
<b>Reset Button</b>	Local and remote
<b>Output Contacts</b>	Form C
<b>Analog Output</b>	0-1 mA
<b>Conformally Coated</b>	Consult factory
<b>Approvals</b>	UL Listed (E183688)
<b>Warranty</b>	5 years
<b>Mounting</b>	DIN, Surface (standard) Panel (with PMA-55 or PMA-60 adapter)

## X-ON Electronics

Largest Supplier of Electrical and Electronic Components

*Click to view similar products for [Industrial Relays](#) category:*

*Click to view products by [Littelfuse](#) manufacturer:*

Other Similar products are found below :

[6-1617801-8](#) [6-1618107-9](#) [7-1618273-3](#) [EV250-4A-02](#) [EV250-6A-01](#) [FCA-125-CX8](#) [FCA-325-159](#) [FCA-410-138](#) [8000-S3121](#) [8-1618273-6](#)  
[8-1618393-1](#) [GCA63A220VAC60HZ](#) [GCA63A277VAC60HZ](#) [GCA63A600VAC60HZ](#) [1-1672275-3](#) [1-1833005-4](#) [H-16/S1](#) [A711Z](#)  
[ACC530U20](#) [ACC633U30](#) [ACC730U30](#) [DH18DA](#) [1423675-8](#) [AVR907](#) [15732A200](#) [B07B032AC1-0329](#) [B329](#) [B490A](#) [1618279-1](#)  
[BHR124Y](#) [1810DDB-SX](#) [N417](#) [P30C42A12D1-120](#) [2-1617748-6](#) [2-1618396-6](#) [2-1618398-1](#) [JMGACD-5M](#) [JMGSC-5LW](#) [JMGSCD-5L](#)  
[PBO-18A1218](#) [PBO-40A3040](#) [K8DSPH1200480VAC](#) [KA-3C-12A](#) [RT334012WG](#) [S160156115](#) [SAH159](#) [2944795](#) [301-17SX](#) [1618105-2](#)  
[1618112-6](#)