

POWR-SPEED® Fuse

PSR SERIES HIGH-SPEED SQUARE BODY

Semiconductor Fuses • DIN 43653 Blade • 40 A–2000 A



Description

Littelfuse PSR series high-speed square body fuses are specially designed for protection of power semiconductor devices such as diodes, triacs, IGBTs, SCRs, MOSFETs, and other solid-state devices that are typically designed into power conversion and power conditioning equipment. Variable frequency drives, inverters, UPS, rectifiers, and soft-starters are examples of typical equipment designed with sensitive power semiconductor devices that cannot withstand any line surge or overcurrent conditions and require high-speed protection.

Littelfuse POWR-SPEED® PSR series products offer optimized circuit protection at the extremely fast speed required to protect modern day power conversion devices. Available in DIN43653 blade style termination with visual blown fuse indication standard on all fuses and optional micro-switch for external indication.

Features/Benefits

- Best in Class dc performance
- Extremely current limiting
- Superior cycling capability
- Global certification cURus, CCC, IEC
- Visual and optional microswitch fuse blown indication
- Low watt-loss design
- Compliance with US and Canadian requirements
- Fast-acting Class aR performance

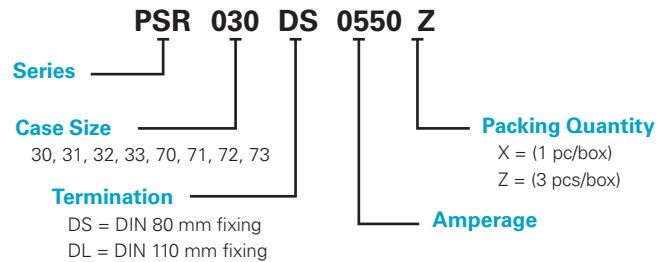
Applications

- Power conversion devices (UPS, inverter, rectifiers, drives)
- Dc systems (dc common bus, dc injection braking)
- Battery protection application (energy storage systems)
- Electric vehicle charging stations
- Heaters and power supplies

Specifications

| | |
|------------------------------|--|
| Voltage Rating | Ac: 550 V–1300 V Dc: 480 V–1000 V |
| Amperage Rating | 40 A–2000 A |
| Interrupting Rating | Ac: 100 kA–200 kA Dc: 150 kA |
| Time Constant | 10 ms at IR |
| Microswitch | Yes |
| Mounting | DIN 43653 blade style |
| Material | Body: ceramic Contacts: plated copper |
| Approvals | UL 248-13 Recognized (File: E71611) C-UR-US (File: E71611) IEC 60269-4 (Class aR) CCC |
| Environmental | RoHS Compliant, REACH |
| Operating Temperature | -55 °C to +125 °C |
| Storage Temperature | Up to +35 °C with relative humidity <65 % |
| Country of Origin | Mexico |

Ordering Part Number



Catalog Number

| SERIES | CASE SIZE | TERMINATION | AMPERAGE | CATALOG NUMBER | ORDERING PART NUMBER |
|--------|-----------|-------------|----------|----------------|----------------------|
| PSR | 030 | DS | 0550 | PSR030DS0550 | PSR030DS0550Z |

Recommended Accessories

Microswitch: MS3H1000C (Case Size 30 to 33)
MS7H1500C (Case Size 70 to 73)

Web Resources

Download technical documents: Littelfuse.com/psr

Note: high-speed fuses are designed for fixed installations. They are not intended for use in moving vehicle applications.

POWR-SPEED® Fuse

PSR SERIES HIGH-SPEED SQUARE BODY

Electrical Characteristics

| CASE SIZE | CATALOG NUMBER | | AMPERAGE RATING (A) | VOLTAGE RATING (V) | | | INTERRUPTING RATING | | MELTING (PRE-ARC) I ² T (A ² S) | TOTAL CLEARING I ² T (A ² S) AT RATED VOLTAGE | | WATT LOSS AT 100 % RATED CURRENT (W) | AGENCY CERTIFICATION | |
|--------------|-----------------------|------------------------|---------------------|--------------------|-----|--------|---------------------|---------|---|---|---------|--------------------------------------|----------------------|-----|
| | DIN 80 MM FIXING (DS) | DIN 110 MM FIXING (DL) | | AC | | DC | AC | DC | | AC | DC | | cURus | CCC |
| | | | | IEC | UL | | | | | | | | | |
| 30 | PSR030DS0040 | PSR030DL0040 | 40 | 690 | 700 | 600 | 200 kA | 150 kA | 76 | 280 | 260 | 13 | • | • |
| | PSR030DS0050 | PSR030DL0050 | 50 | 690 | 700 | 600 | 200 kA | 150 kA | 110 | 598 | 384 | 16 | • | • |
| | PSR030DS0063 | PSR030DL0063 | 63 | 690 | 700 | 600 | 200 kA | 150 kA | 176 | 1023 | 640 | 20 | • | • |
| | PSR030DS0080 | PSR030DL0080 | 80 | 690 | 700 | 600 | 200 kA | 150 kA | 304 | 1728 | 1252 | 24 | • | • |
| | PSR030DS0100 | PSR030DL0100 | 100 | 690 | 700 | 600 | 200 kA | 150 kA | 437 | 2835 | 1575 | 28 | • | • |
| | PSR030DS0125 | PSR030DL0125 | 125 | 690 | 700 | 600 | 200 kA | 150 kA | 707 | 4684 | 2783 | 37 | • | • |
| | PSR030DS0160 | PSR030DL0160 | 160 | 690 | 700 | 600 | 200 kA | 150 kA | 1359 | 9114 | 5507 | 40 | • | • |
| | PSR030DS0200 | PSR030DL0200 | 200 | 690 | 700 | 600 | 200 kA | 150 kA | 3012 | 15169 | 14700 | 40 | • | • |
| | PSR030DS0250 | PSR030DL0250 | 250 | 690 | 700 | 600 | 200 kA | 150 kA | 4668 | 29952 | 20833 | 52 | • | • |
| | PSR030DS0315 | PSR030DL0315 | 315 | 690 | 700 | 600 | 200 kA | 150 kA | 7131 | 61830 | 31600 | 64 | • | • |
| | PSR030DS0350 | PSR030DL0350 | 350 | 690 | 700 | 600 | 200 kA | 150 kA | 12007 | 85320 | 49273 | 66 | • | • |
| | PSR030DS0400 | PSR030DL0400 | 400 | 690 | 700 | 600 | 200 kA | 150 kA | 16209 | 114750 | 63367 | 78 | • | • |
| | PSR030DS0450 | PSR030DL0450 | 450 | 690 | 700 | 600 | 200 kA | 150 kA | 23133 | 160110 | 93533 | 80 | • | • |
| | PSR030DS0500 | PSR030DL0500 | 500 | 690 | 700 | 600 | 200 kA | 150 kA | 31429 | 225180 | 137333 | 84 | • | • |
| PSR030DS0550 | PSR030DL0550 | 550 | 690 | 700 | 600 | 200 kA | 150 kA | 44323 | 268920 | 145400 | 85 | • | • | |
| 31 | PSR031DS0200 | PSR031DL0200 | 200 | 690 | 700 | 600 | 200 kA | 150 kA | 1965 | 17334 | 16188 | 49 | • | • |
| | PSR031DS0250 | PSR031DL0250 | 250 | 690 | 700 | 600 | 200 kA | 150 kA | 3789 | 35343 | 21080 | 52 | • | • |
| | PSR031DS0315 | PSR031DL0315 | 315 | 690 | 700 | 600 | 200 kA | 150 kA | 6862 | 59130 | 30694 | 63 | • | • |
| | PSR031DS0350 | PSR031DL0350 | 350 | 690 | 700 | 600 | 200 kA | 150 kA | 9523 | 76140 | 40996 | 67 | • | • |
| | PSR031DS0400 | PSR031DL0400 | 400 | 690 | 700 | 600 | 200 kA | 150 kA | 14770 | 124335 | 64359 | 70 | • | • |
| | PSR031DS0450 | PSR031DL0450 | 450 | 690 | 700 | 600 | 200 kA | 150 kA | 22457 | 178200 | 97444 | 70 | • | • |
| | PSR031DS0500 | PSR031DL0500 | 500 | 690 | 700 | 600 | 200 kA | 150 kA | 29751 | 251505 | 125935 | 74 | • | • |
| | PSR031DS0550 | PSR031DL0550 | 550 | 690 | 700 | 600 | 200 kA | 150 kA | 42056 | 289170 | 171845 | 86 | • | • |
| | PSR031DS0630 | PSR031DL0630 | 630 | 690 | 700 | 600 | 200 kA | 150 kA | 73513 | 507465 | 276315 | 87 | • | • |
| | PSR031DS0700 | PSR031DL0700 | 700 | 690 | 700 | 600 | 200 kA | 150 kA | 98187 | 601425 | 337260 | 93 | • | • |
| PSR031DS0800 | PSR031DL0800 | 800 | 690 | 700 | 600 | 200 kA | 150 kA | 137208 | 848880 | 502815 | 107 | • | • | |
| 32 | PSR032DS0400 | PSR032DL0400 | 400 | 690 | 700 | 600 | 200 kA | 150 kA | 11104 | 79650 | 44533 | 87 | • | • |
| | PSR032DS0450 | PSR032DL0450 | 450 | 690 | 700 | 600 | 200 kA | 150 kA | 15535 | 116100 | 65463 | 88 | • | • |
| | PSR032DS0500 | PSR032DL0500 | 500 | 690 | 700 | 600 | 200 kA | 150 kA | 21573 | 161460 | 88277 | 94 | • | • |
| | PSR032DS0550 | PSR032DL0550 | 550 | 690 | 700 | 600 | 200 kA | 150 kA | 26327 | 177660 | 107960 | 106 | • | • |
| | PSR032DS0630 | PSR032DL0630 | 630 | 690 | 700 | 600 | 200 kA | 150 kA | 34790 | 234900 | 156963 | 114 | • | • |
| | PSR032DS0700 | PSR032DL0700 | 700 | 690 | 700 | 600 | 200 kA | 150 kA | 51191 | 291870 | 209287 | 127 | • | • |
| | PSR032DS0800 | PSR032DL0800 | 800 | 690 | 700 | 600 | 200 kA | 150 kA | 60125 | 472770 | 249000 | 152 | • | • |
| | PSR032DS0900 | PSR032DL0900 | 900 | 690 | 700 | 600 | 200 kA | 150 kA | 107785 | 764100 | 404000 | 145 | • | • |
| | PSR032DS1000 | PSR032DL1000 | 1000 | 690 | 700 | 600 | 200 kA | 150 kA | 190102 | 933120 | 672333 | 149 | • | • |
| PSR032DS1100 | PSR032DL1100 | 1100 | 690 | 700 | 600 | 200 kA | 150 kA | 225379 | 1247400 | 744000 | 161 | • | • | |
| 33 | PSR033DS0450 | PSR033DL0450 | 450 | 690 | 700 | 600 | 200 kA | 150 kA | 13600 | 106380 | 58947 | 107 | • | • |
| | PSR033DS0500 | PSR033DL0500 | 500 | 690 | 700 | 600 | 200 kA | 150 kA | 16434 | 140400 | 77846 | 107 | • | • |
| | PSR033DS0550 | PSR033DL0550 | 550 | 690 | 700 | 600 | 200 kA | 150 kA | 23314 | 187650 | 100461 | 111 | • | • |
| | PSR033DS0630 | PSR033DL0630 | 630 | 690 | 700 | 600 | 200 kA | 150 kA | 38727 | 285930 | 142437 | 120 | • | • |
| | PSR033DS0700 | PSR033DL0700 | 700 | 690 | 700 | 600 | 200 kA | 150 kA | 56763 | 392580 | 209863 | 116 | • | • |
| | PSR033DS0800 | PSR033DL0800 | 800 | 690 | 700 | 600 | 200 kA | 150 kA | 84691 | 575505 | 348500 | 122 | • | • |
| | PSR033DS0900 | PSR033DL0900 | 900 | 690 | 700 | 600 | 200 kA | 150 kA | 122619 | 740340 | 451177 | 138 | • | • |
| | PSR033DS1000 | PSR033DL1000 | 1000 | 690 | 700 | 600 | 200 kA | 150 kA | 222350 | 1170450 | 787750 | 138 | • | • |
| | PSR033DS1100 | PSR033DL1100 | 1100 | 690 | 700 | 600 | 200 kA | 150 kA | 310824 | 1568700 | 821400 | 138 | • | • |
| | PSR033DS1250 | PSR033DL1250 | 1250 | 690 | 700 | 500 | 200 kA | 150 kA | 476902 | 2403000 | 1674333 | 145 | • | • |
| | PSR033DS1400 | PSR033DL1400 | 1400 | 690 | 700 | 500 | 200 kA | 150 kA | 583552 | 2920050 | 1979750 | 173 | • | • |
| | PSR033DS1500 | PSR033DL1500 | 1500 | 600 | 650 | 500 | 200 kA | 150 kA | 674538 | 2433200 | 1996733 | 182 | • | • |
| | PSR033DS1600 | PSR033DL1600 | 1600 | 600 | 650 | 500 | 200 kA | 150 kA | 779948 | 2942800 | 2301633 | 208 | • | • |
| | PSR033DS1800 | PSR033DL1800 | 1800 | 600 | 650 | 500 | 200 kA | 150 kA | 952196 | 3785040 | 2724180 | 260 | • | • |
| PSR033DS2000 | PSR033DL2000 | 2000 | 550 | 600 | 480 | 200 kA | 150 kA | 1234315 | 4131600 | 3755180 | 264 | • | • | |

POWR-SPEED® Fuse

PSR SERIES HIGH-SPEED SQUARE BODY

Electrical Characteristics (cont.)

| CASE SIZE | CATALOG NUMBER | AMPERAGE RATING (A) | VOLTAGE RATING (V) | | | INTERRUPTING RATING | | MELTING (PRE-ARC) I ² T (A ² S) | TOTAL CLEARING I ² T (A ² S) AT RATED VOLTAGE | | WATT LOSS AT 100 % RATED CURRENT (W) | AGENCY CERTIFICATION | |
|--------------|----------------|---------------------|--------------------|------|--------|---------------------|--------|---|---|--------|--------------------------------------|----------------------|-----|
| | | | AC | | DC | AC | DC | | AC | DC | | cURus | CCC |
| | IEC | | UL | | | | | | | | | | |
| 70 | PSR070DL0050 | 50 | 1250 | 1300 | 1000 | 100 kA | 150 kA | 177 | 2050 | 400 | 21 | • | • |
| | PSR070DL0063 | 63 | 1250 | 1300 | 1000 | 100 kA | 150 kA | 273 | 3399 | 900 | 24 | • | • |
| | PSR070DL0080 | 80 | 1250 | 1300 | 1000 | 100 kA | 150 kA | 583 | 6732 | 2200 | 25 | • | • |
| | PSR070DL0100 | 100 | 1250 | 1300 | 1000 | 100 kA | 150 kA | 974 | 10996 | 3750 | 30 | • | • |
| | PSR070DL0125 | 125 | 1250 | 1300 | 1000 | 100 kA | 150 kA | 1352 | 13011 | 5150 | 44 | • | • |
| | PSR070DL0160 | 160 | 1250 | 1300 | 1000 | 100 kA | 150 kA | 2377 | 25662 | 8950 | 53 | • | • |
| | PSR070DL0200 | 200 | 1250 | 1300 | 1000 | 100 kA | 150 kA | 4177 | 39087 | 17267 | 62 | • | • |
| | PSR070DL0250 | 250 | 1250 | 1300 | 1000 | 100 kA | 150 kA | 8629 | 89790 | 36750 | 73 | • | • |
| PSR070DL0280 | 280 | 1250 | 1300 | 1000 | 100 kA | 150 kA | 11844 | 113201 | 46750 | 77 | • | • | |
| PSR070DL0315 | 315 | 1250 | 1300 | 1000 | 100 kA | 150 kA | 18162 | 142051 | 66833 | 80 | • | • | |
| 71 | PSR071DL0160 | 160 | 1250 | 1300 | 1000 | 100 kA | 150 kA | 2756 | 24600 | 8800 | 45 | • | • |
| | PSR071DL0200 | 200 | 1250 | 1300 | 1000 | 100 kA | 150 kA | 4918 | 50307 | 19050 | 52 | • | • |
| | PSR071DL0250 | 250 | 1250 | 1300 | 1000 | 100 kA | 150 kA | 10592 | 104427 | 43100 | 55 | • | • |
| | PSR071DL0280 | 280 | 1250 | 1300 | 1000 | 100 kA | 150 kA | 13763 | 131897 | 54150 | 58 | • | • |
| | PSR071DL0315 | 315 | 1250 | 1300 | 1000 | 100 kA | 150 kA | 20882 | 200244 | 67450 | 59 | • | • |
| | PSR071DL0350 | 350 | 1250 | 1300 | 1000 | 100 kA | 150 kA | 23301 | 225500 | 102500 | 70 | • | • |
| | PSR071DL0400 | 400 | 1250 | 1300 | 1000 | 100 kA | 150 kA | 43211 | 374986 | 185000 | 76 | • | • |
| PSR071DL0450 | 450 | 1250 | 1300 | 1000 | 100 kA | 150 kA | 55915 | 452394 | 241333 | 88 | • | • | |
| 72 | PSR072DL0250 | 250 | 1250 | 1300 | 1000 | 100 kA | 150 kA | 7737 | 72789 | 28567 | 64 | • | • |
| | PSR072DL0280 | 280 | 1250 | 1300 | 1000 | 100 kA | 150 kA | 10915 | 124538 | 46897 | 62 | • | • |
| | PSR072DL0315 | 315 | 1250 | 1300 | 1000 | 100 kA | 150 kA | 16187 | 145140 | 58867 | 69 | • | • |
| | PSR072DL0350 | 350 | 1250 | 1300 | 1000 | 100 kA | 150 kA | 18727 | 160447 | 69633 | 81 | • | • |
| | PSR072DL0400 | 400 | 1250 | 1300 | 1000 | 100 kA | 150 kA | 27112 | 243540 | 108000 | 93 | • | • |
| | PSR072DL0450 | 450 | 1250 | 1300 | 1000 | 100 kA | 150 kA | 35927 | 406413 | 159133 | 107 | • | • |
| | PSR072DL0500 | 500 | 1250 | 1300 | 1000 | 100 kA | 150 kA | 50398 | 425375 | 216333 | 115 | • | • |
| | PSR072DL0550 | 550 | 1250 | 1300 | 1000 | 100 kA | 150 kA | 73858 | 539833 | 271333 | 115 | • | • |
| PSR072DL0630 | 630 | 1250 | 1300 | 1000 | 100 kA | 150 kA | 126126 | 942180 | 436000 | 119 | • | • | |
| 73 | PSR073DL0315 | 315 | 1250 | 1300 | 1000 | 100 kA | 150 kA | 10245 | 106600 | 38650 | 100 | • | • |
| | PSR073DL0350 | 350 | 1250 | 1300 | 1000 | 100 kA | 150 kA | 13586 | 159627 | 57467 | 100 | • | • |
| | PSR073DL0400 | 400 | 1250 | 1300 | 1000 | 100 kA | 150 kA | 19797 | 211273 | 86800 | 124 | • | • |
| | PSR073DL0450 | 450 | 1250 | 1300 | 1000 | 100 kA | 150 kA | 29834 | 279073 | 114333 | 122 | • | • |
| | PSR073DL0500 | 500 | 1250 | 1300 | 1000 | 100 kA | 150 kA | 42751 | 416437 | 184500 | 121 | • | • |
| | PSR073DL0550 | 550 | 1250 | 1300 | 1000 | 100 kA | 150 kA | 55513 | 491713 | 224500 | 130 | • | • |
| | PSR073DL0630 | 630 | 1250 | 1300 | 1000 | 100 kA | 150 kA | 94649 | 804338 | 377500 | 136 | • | • |
| PSR073DL0700 | 700 | 1250 | 1300 | 1000 | 100 kA | 150 kA | 158097 | 1170960 | 575667 | 135 | • | • | |

POWR-SPEED® Fuse

PSR SERIES HIGH-SPEED SQUARE BODY

Ordering Information

| CASE SIZE | DIN 80 MM FIXING (DS) | | | DIN 110 MM FIXING (DL) | | | BOX QUANTITY |
|--------------|-----------------------|----------------------|--------------|------------------------|----------------------|-------------|--------------|
| | CATALOG NUMBER | ORDERING PART NUMBER | UPC | CATALOG NUMBER | ORDERING PART NUMBER | UPC | |
| 30 | PSR030DS0040 | PSR030DS0040Z | 07945824985 | PSR030DL0040 | PSR030DL0040Z | 07945825049 | 3 pcs/box |
| | PSR030DS0050 | PSR030DS0050Z | 07945824986 | PSR030DL0050 | PSR030DL0050Z | 07945825050 | 3 pcs/box |
| | PSR030DS0063 | PSR030DS0063Z | 07945824987 | PSR030DL0063 | PSR030DL0063Z | 07945825051 | 3 pcs/box |
| | PSR030DS0080 | PSR030DS0080Z | 07945824988 | PSR030DL0080 | PSR030DL0080Z | 07945825052 | 3 pcs/box |
| | PSR030DS0100 | PSR030DS0100Z | 07945824989 | PSR030DL0100 | PSR030DL0100Z | 07945825054 | 3 pcs/box |
| | PSR030DS0125 | PSR030DS0125Z | 07945824990 | PSR030DL0125 | PSR030DL0125Z | 07945825056 | 3 pcs/box |
| | PSR030DS0160 | PSR030DS0160Z | 07945824991 | PSR030DL0160 | PSR030DL0160Z | 07945825057 | 3 pcs/box |
| | PSR030DS0200 | PSR030DS0200Z | 07945824992 | PSR030DL0200 | PSR030DL0200Z | 07945825059 | 3 pcs/box |
| | PSR030DS0250 | PSR030DS0250Z | 07945824993 | PSR030DL0250 | PSR030DL0250Z | 07945825060 | 3 pcs/box |
| | PSR030DS0315 | PSR030DS0315Z | 07945824994 | PSR030DL0315 | PSR030DL0315Z | 07945825062 | 3 pcs/box |
| | PSR030DS0350 | PSR030DS0350Z | 07945824995 | PSR030DL0350 | PSR030DL0350Z | 07945825066 | 3 pcs/box |
| | PSR030DS0400 | PSR030DS0400Z | 07945824996 | PSR030DL0400 | PSR030DL0400Z | 07945825069 | 3 pcs/box |
| | PSR030DS0450 | PSR030DS0450Z | 07945824997 | PSR030DL0450 | PSR030DL0450Z | 07945825070 | 3 pcs/box |
| PSR030DS0500 | PSR030DS0500Z | 07945824998 | PSR030DL0500 | PSR030DL0500Z | 07945825074 | 3 pcs/box | |
| PSR030DS0550 | PSR030DS0550Z | 07945824999 | PSR030DL0550 | PSR030DL0550Z | 07945825075 | 3 pcs/box | |
| 31 | PSR031DS0200 | PSR031DS0200Z | 07945825000 | PSR031DL0200 | PSR031DL0200Z | 07945825076 | 3 pcs/box |
| | PSR031DS0250 | PSR031DS0250Z | 07945825001 | PSR031DL0250 | PSR031DL0250Z | 07945825077 | 3 pcs/box |
| | PSR031DS0315 | PSR031DS0315Z | 07945825002 | PSR031DL0315 | PSR031DL0315Z | 07945825078 | 3 pcs/box |
| | PSR031DS0350 | PSR031DS0350Z | 07945825003 | PSR031DL0350 | PSR031DL0350Z | 07945825079 | 3 pcs/box |
| | PSR031DS0400 | PSR031DS0400Z | 07945825004 | PSR031DL0400 | PSR031DL0400Z | 07945825080 | 3 pcs/box |
| | PSR031DS0450 | PSR031DS0450Z | 07945825005 | PSR031DL0450 | PSR031DL0450Z | 07945825081 | 3 pcs/box |
| | PSR031DS0500 | PSR031DS0500Z | 07945825006 | PSR031DL0500 | PSR031DL0500Z | 07945825082 | 3 pcs/box |
| | PSR031DS0550 | PSR031DS0550Z | 07945825007 | PSR031DL0550 | PSR031DL0550Z | 07945825083 | 3 pcs/box |
| | PSR031DS0630 | PSR031DS0630Z | 07945825008 | PSR031DL0630 | PSR031DL0630Z | 07945825084 | 3 pcs/box |
| | PSR031DS0700 | PSR031DS0700Z | 07945825009 | PSR031DL0700 | PSR031DL0700Z | 07945825085 | 3 pcs/box |
| PSR031DS0800 | PSR031DS0800Z | 07945825010 | PSR031DL0800 | PSR031DL0800Z | 07945825086 | 3 pcs/box | |
| 32 | PSR032DS0400 | PSR032DS0400X | 07945825013 | PSR032DL0400 | PSR032DL0400X | 07945825087 | 1 pcs/box |
| | PSR032DS0450 | PSR032DS0450X | 07945825014 | PSR032DL0450 | PSR032DL0450X | 07945825088 | 1 pcs/box |
| | PSR032DS0500 | PSR032DS0500X | 07945825015 | PSR032DL0500 | PSR032DL0500X | 07945825089 | 1 pcs/box |
| | PSR032DS0550 | PSR032DS0550X | 07945825016 | PSR032DL0550 | PSR032DL0550X | 07945825090 | 1 pcs/box |
| | PSR032DS0630 | PSR032DS0630X | 07945825017 | PSR032DL0630 | PSR032DL0630X | 07945825091 | 1 pcs/box |
| | PSR032DS0700 | PSR032DS0700X | 07945825021 | PSR032DL0700 | PSR032DL0700X | 07945825092 | 1 pcs/box |
| | PSR032DS0800 | PSR032DS0800X | 07945825022 | PSR032DL0800 | PSR032DL0800X | 07945825141 | 1 pcs/box |
| | PSR032DS0900 | PSR032DS0900X | 07945825023 | PSR032DL0900 | PSR032DL0900X | 07945825142 | 1 pcs/box |
| PSR032DS1000 | PSR032DS1000X | 07945825025 | PSR032DL1000 | PSR032DL1000X | 07945825143 | 1 pcs/box | |
| PSR032DS1100 | PSR032DS1100X | 07945825026 | PSR032DL1100 | PSR032DL1100X | 07945825144 | 1 pcs/box | |
| 33 | PSR033DS0450 | PSR033DS0450X | 07945825027 | PSR033DL0450 | PSR033DL0450X | 07945825145 | 1 pcs/box |
| | PSR033DS0500 | PSR033DS0500X | 07945825028 | PSR033DL0500 | PSR033DL0500X | 07945825146 | 1 pcs/box |
| | PSR033DS0550 | PSR033DS0550X | 07945825030 | PSR033DL0550 | PSR033DL0550X | 07945825147 | 1 pcs/box |
| | PSR033DS0630 | PSR033DS0630X | 07945825032 | PSR033DL0630 | PSR033DL0630X | 07945825148 | 1 pcs/box |
| | PSR033DS0700 | PSR033DS0700X | 07945825033 | PSR033DL0700 | PSR033DL0700X | 07945825149 | 1 pcs/box |
| | PSR033DS0800 | PSR033DS0800X | 07945825034 | PSR033DL0800 | PSR033DL0800X | 07945825150 | 1 pcs/box |
| | PSR033DS0900 | PSR033DS0900X | 07945825035 | PSR033DL0900 | PSR033DL0900X | 07945825151 | 1 pcs/box |
| | PSR033DS1000 | PSR033DS1000X | 07945825036 | PSR033DL1000 | PSR033DL1000X | 07945825152 | 1 pcs/box |
| | PSR033DS1100 | PSR033DS1100X | 07945825038 | PSR033DL1100 | PSR033DL1100X | 07945825153 | 1 pcs/box |
| | PSR033DS1250 | PSR033DS1250X | 07945825039 | PSR033DL1250 | PSR033DL1250X | 07945825154 | 1 pcs/box |
| | PSR033DS1400 | PSR033DS1400X | 07945825040 | PSR033DL1400 | PSR033DL1400X | 07945825155 | 1 pcs/box |
| | PSR033DS1500 | PSR033DS1500X | 07945825042 | PSR033DL1500 | PSR033DL1500X | 07945825156 | 1 pcs/box |
| | PSR033DS1600 | PSR033DS1600X | 07945825044 | PSR033DL1600 | PSR033DL1600X | 07945825157 | 1 pcs/box |
| | PSR033DS1800 | PSR033DS1800X | 07945825045 | PSR033DL1800 | PSR033DL1800X | 07945825158 | 1 pcs/box |
| PSR033DS2000 | PSR033DS2000X | 07945825046 | PSR033DL2000 | PSR033DL2000X | 07945825159 | 1 pcs/box | |

POWR-SPEED® Fuse

PSR SERIES HIGH-SPEED SQUARE BODY

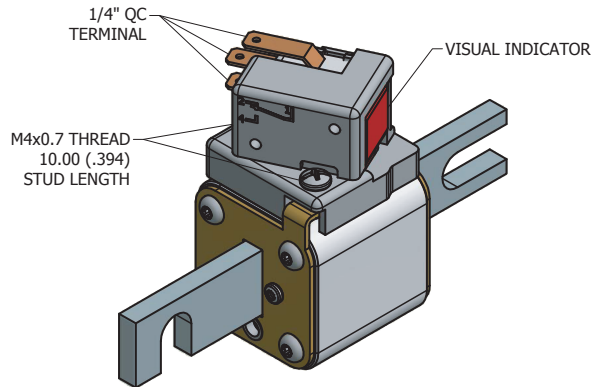
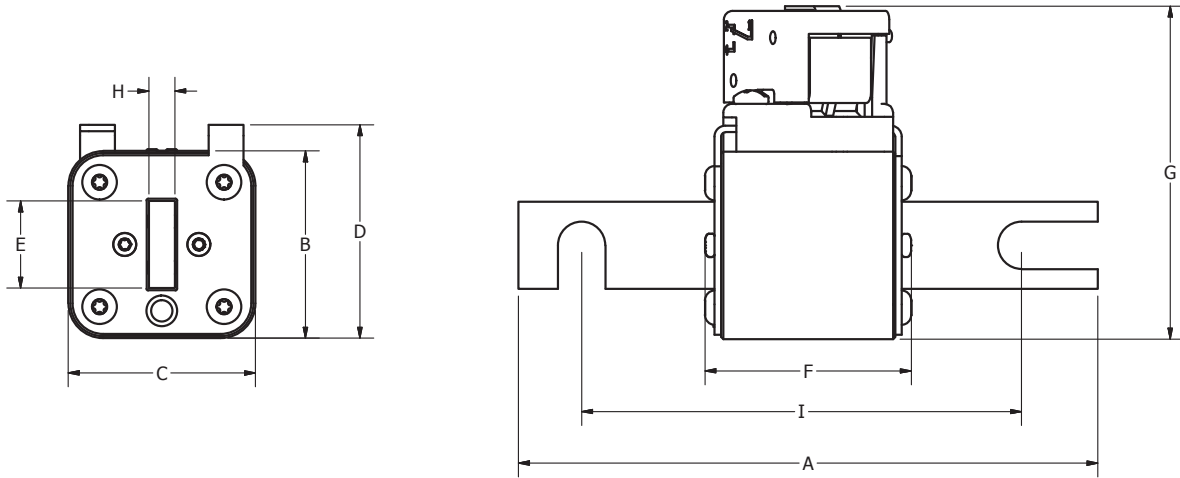
Ordering Information (cont.)

| CASE SIZE | DIN 110 MM FIXING (DL) | | | BOX QUANTITY |
|--------------|------------------------|----------------------|-------------|--------------|
| | CATALOG NUMBER | ORDERING PART NUMBER | UPC | |
| 70 | PSR070DL0050 | PSR070DL0050Z | 07945825160 | 3 pcs/box |
| | PSR070DL0063 | PSR070DL0063Z | 07945825161 | 3 pcs/box |
| | PSR070DL0080 | PSR070DL0080Z | 07945825162 | 3 pcs/box |
| | PSR070DL0100 | PSR070DL0100Z | 07945825163 | 3 pcs/box |
| | PSR070DL0125 | PSR070DL0125Z | 07945825164 | 3 pcs/box |
| | PSR070DL0160 | PSR070DL0160Z | 07945825165 | 3 pcs/box |
| | PSR070DL0200 | PSR070DL0200Z | 07945825166 | 3 pcs/box |
| | PSR070DL0250 | PSR070DL0250Z | 07945825167 | 3 pcs/box |
| | PSR070DL0280 | PSR070DL0280Z | 07945825168 | 3 pcs/box |
| PSR070DL0315 | PSR070DL0315Z | 07945825169 | 3 pcs/box | |
| 71 | PSR071DL0160 | PSR071DL0160Z | 07945825170 | 3 pcs/box |
| | PSR071DL0200 | PSR071DL0200Z | 07945825171 | 3 pcs/box |
| | PSR071DL0250 | PSR071DL0250Z | 07945825172 | 3 pcs/box |
| | PSR071DL0280 | PSR071DL0280Z | 07945825173 | 3 pcs/box |
| | PSR071DL0315 | PSR071DL0315Z | 07945825174 | 3 pcs/box |
| | PSR071DL0350 | PSR071DL0350Z | 07945825175 | 3 pcs/box |
| | PSR071DL0400 | PSR071DL0400Z | 07945825176 | 3 pcs/box |
| PSR071DL0450 | PSR071DL0450Z | 07945825177 | 3 pcs/box | |
| 72 | PSR072DL0250 | PSR072DL0250X | 07945825178 | 1 pcs/box |
| | PSR072DL0280 | PSR072DL0280X | 07945825179 | 1 pcs/box |
| | PSR072DL0315 | PSR072DL0315X | 07945825180 | 1 pcs/box |
| | PSR072DL0350 | PSR072DL0350X | 07945825181 | 1 pcs/box |
| | PSR072DL0400 | PSR072DL0400X | 07945825182 | 1 pcs/box |
| | PSR072DL0450 | PSR072DL0450X | 07945825183 | 1 pcs/box |
| | PSR072DL0500 | PSR072DL0500X | 07945825184 | 1 pcs/box |
| | PSR072DL0550 | PSR072DL0550X | 07945825185 | 1 pcs/box |
| PSR072DL0630 | PSR072DL0630X | 07945825186 | 1 pcs/box | |
| 73 | PSR073DL0315 | PSR073DL0315X | 07945825187 | 1 pcs/box |
| | PSR073DL0350 | PSR073DL0350X | 07945825188 | 1 pcs/box |
| | PSR073DL0400 | PSR073DL0400X | 07945825189 | 1 pcs/box |
| | PSR073DL0450 | PSR073DL0450X | 07945825190 | 1 pcs/box |
| | PSR073DL0500 | PSR073DL0500X | 07945825191 | 1 pcs/box |
| | PSR073DL0550 | PSR073DL0550X | 07945825192 | 1 pcs/box |
| | PSR073DL0630 | PSR073DL0630X | 07945825193 | 1 pcs/box |
| | PSR073DL0700 | PSR073DL0700X | 07945825194 | 1 pcs/box |

POWR-SPEED® Fuse

PSR SERIES HIGH-SPEED SQUARE BODY

Dimensions (DS and DL)

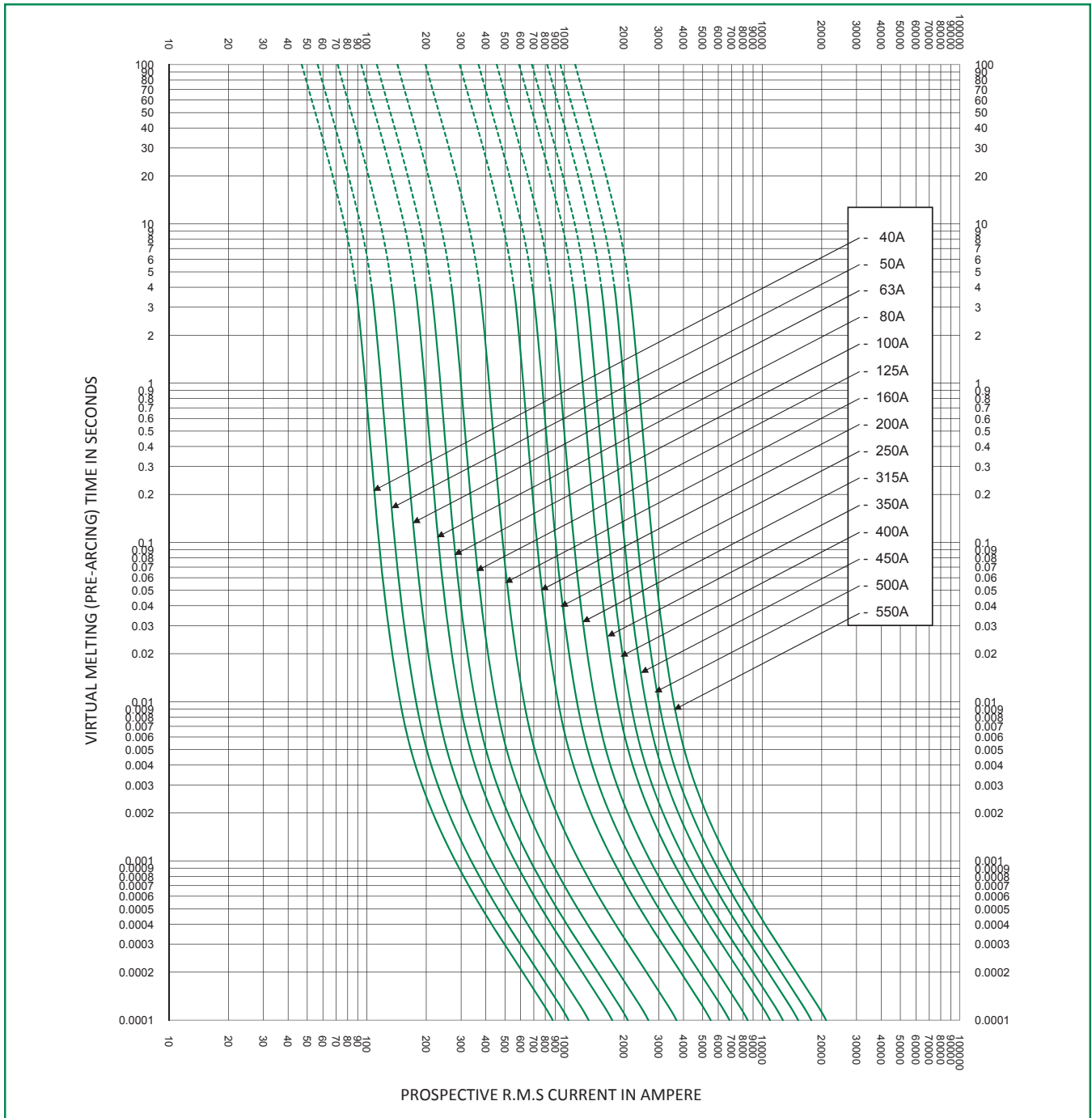


| DIMENSIONS MM (IN) | | | | | | | | | | | | |
|--------------------|----------------|--------------|-------------|-------------|-------------|-------------|-------------|--------------|------------|--------------|----------------------|------------------------------------|
| CASE SIZE | MOUNTING STYLE | A | B | C | D | E | F | G | H | I | RECOMMENDED FASTENER | TIGHTENING TORQUE (REFERENCE ONLY) |
| 30 | DIN 80 [DS] | 109.0 (4.29) | 43.0 (1.69) | 43.0 (1.69) | 49.0 (1.93) | 20.0 (0.79) | 47.7 (1.88) | 76.4 (3.01) | 6.0 (0.24) | 77.8 (3.06) | 10 mm (3/8) | 26 Nm |
| | DIN 110 [DL] | 132.5 (5.22) | 43.0 (1.69) | 43.0 (1.69) | 49.0 (1.93) | 20.0 (0.79) | 47.7 (1.88) | 76.4 (3.01) | 6.0 (0.24) | 101.8 (4.01) | 10 mm (3/8) | 26 Nm |
| 31 | DIN 80 [DS] | 109.2 (4.30) | 51.5 (2.03) | 51.5 (2.03) | 57.5 (2.26) | 25.0 (0.98) | 49.2 (1.94) | 84.9 (3.34) | 6.0 (0.24) | 77.8 (3.06) | 10 mm (3/8) | 26 Nm |
| | DIN 110 [DL] | 133.2 (5.24) | 51.5 (2.03) | 51.5 (2.03) | 57.5 (2.26) | 25.0 (0.98) | 49.2 (1.94) | 84.9 (3.34) | 6.0 (0.24) | 101.8 (4.01) | 10 mm (3/8) | 26 Nm |
| 32 | DIN 80 [DS] | 109.2 (4.30) | 60.0 (2.36) | 60.0 (2.36) | 66.0 (2.60) | 25.0 (0.98) | 49.2 (1.94) | 93.4 (3.68) | 6.0 (0.24) | 77.8 (3.06) | 10 mm (3/8) | 26 Nm |
| | DIN 110 [DL] | 133.2 (5.24) | 60.0 (2.36) | 60.0 (2.36) | 66.0 (2.60) | 25.0 (0.98) | 49.2 (1.94) | 93.4 (3.68) | 6.0 (0.24) | 101.8 (4.01) | 10 mm (3/8) | 26 Nm |
| 33 | DIN 80 [DS] | 109.2 (4.30) | 73.5 (2.89) | 73.5 (2.89) | 79.5 (3.13) | 36.0 (1.41) | 50.2 (1.98) | 106.9 (4.21) | 6.0 (0.24) | 77.8 (3.06) | 10 mm (3/8) | 26 Nm |
| | DIN 110 [DL] | 133.2 (5.24) | 73.5 (2.89) | 73.5 (2.89) | 79.5 (3.13) | 36.0 (1.41) | 50.2 (1.98) | 106.9 (4.21) | 6.0 (0.24) | 101.8 (4.01) | 10 mm (3/8) | 26 Nm |
| 70 | DIN 110 [DL] | 133.0 (5.24) | 43.0 (1.69) | 43.0 (1.69) | 49.0 (1.93) | 20.0 (0.79) | 71.7 (2.82) | 76.4 (3.01) | 6.0 (0.24) | 101.8 (4.01) | 10 mm (3/8) | 26 Nm |
| 71 | DIN 110 [DL] | 133.2 (5.24) | 51.5 (2.03) | 51.5 (2.03) | 57.5 (2.26) | 25.0 (0.98) | 73.2 (2.88) | 84.9 (3.34) | 6.0 (0.24) | 101.8 (4.01) | 10 mm (3/8) | 26 Nm |
| 72 | DIN 110 [DL] | 133.2 (5.24) | 60.0 (2.36) | 60.0 (2.36) | 66.0 (2.60) | 25.0 (0.98) | 73.2 (2.88) | 93.4 (3.68) | 6.0 (0.24) | 101.8 (4.01) | 10 mm (3/8) | 26 Nm |
| 73 | DIN 110 [DL] | 133.2 (5.24) | 73.5 (2.89) | 73.5 (2.89) | 79.5 (3.13) | 36.0 (1.41) | 74.2 (2.92) | 106.9 (4.21) | 6.0 (0.24) | 101.8 (4.01) | 10 mm (3/8) | 26 Nm |

POWR-SPEED® Fuse

PSR SERIES HIGH-SPEED SQUARE BODY

Time Current Curve (30 Case Size)

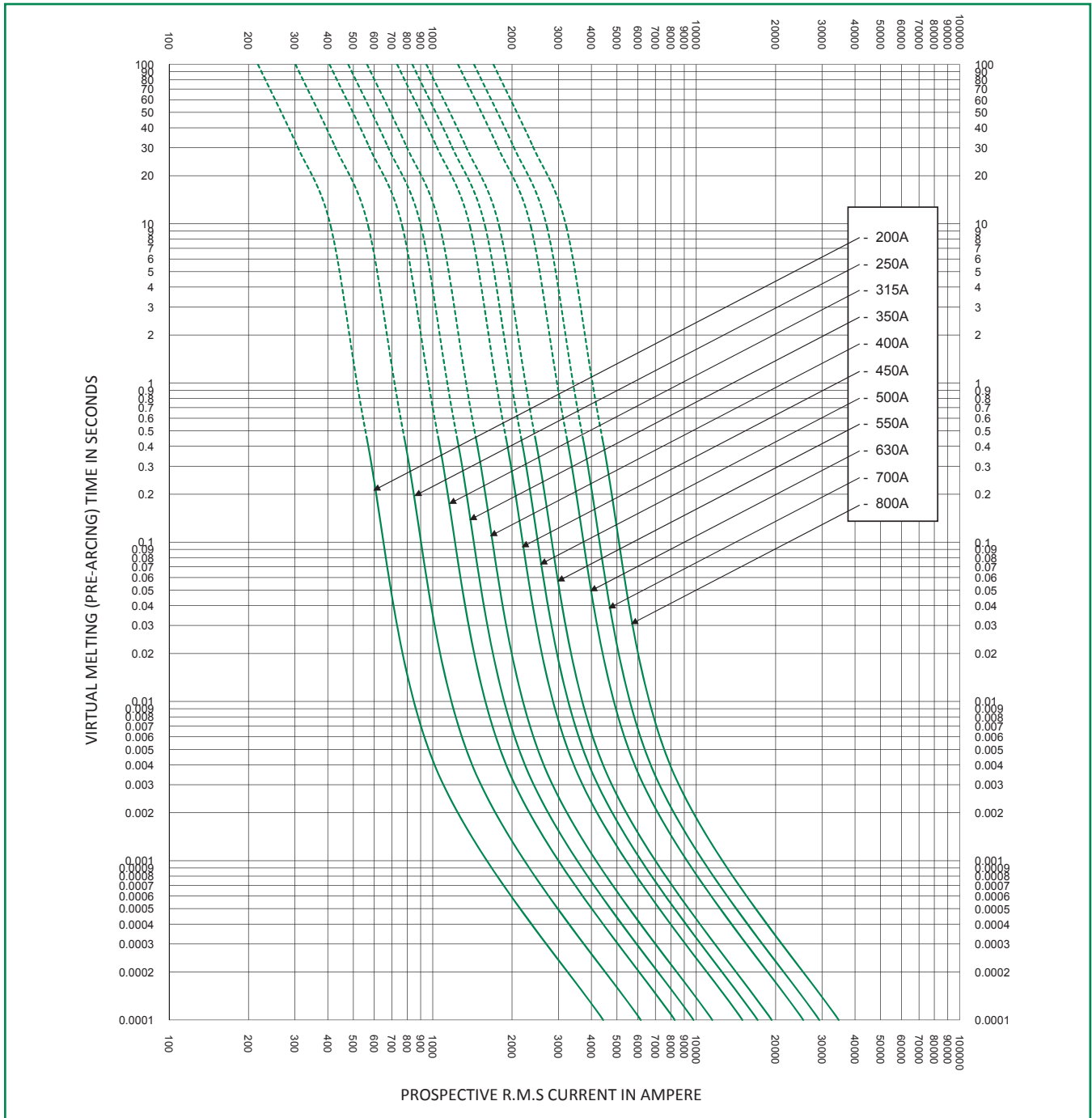


* Dc minimum breaking capacity = 9 x In

POWR-SPEED® Fuse

PSR SERIES HIGH-SPEED SQUARE BODY

Time Current Curve (31 Case Size)

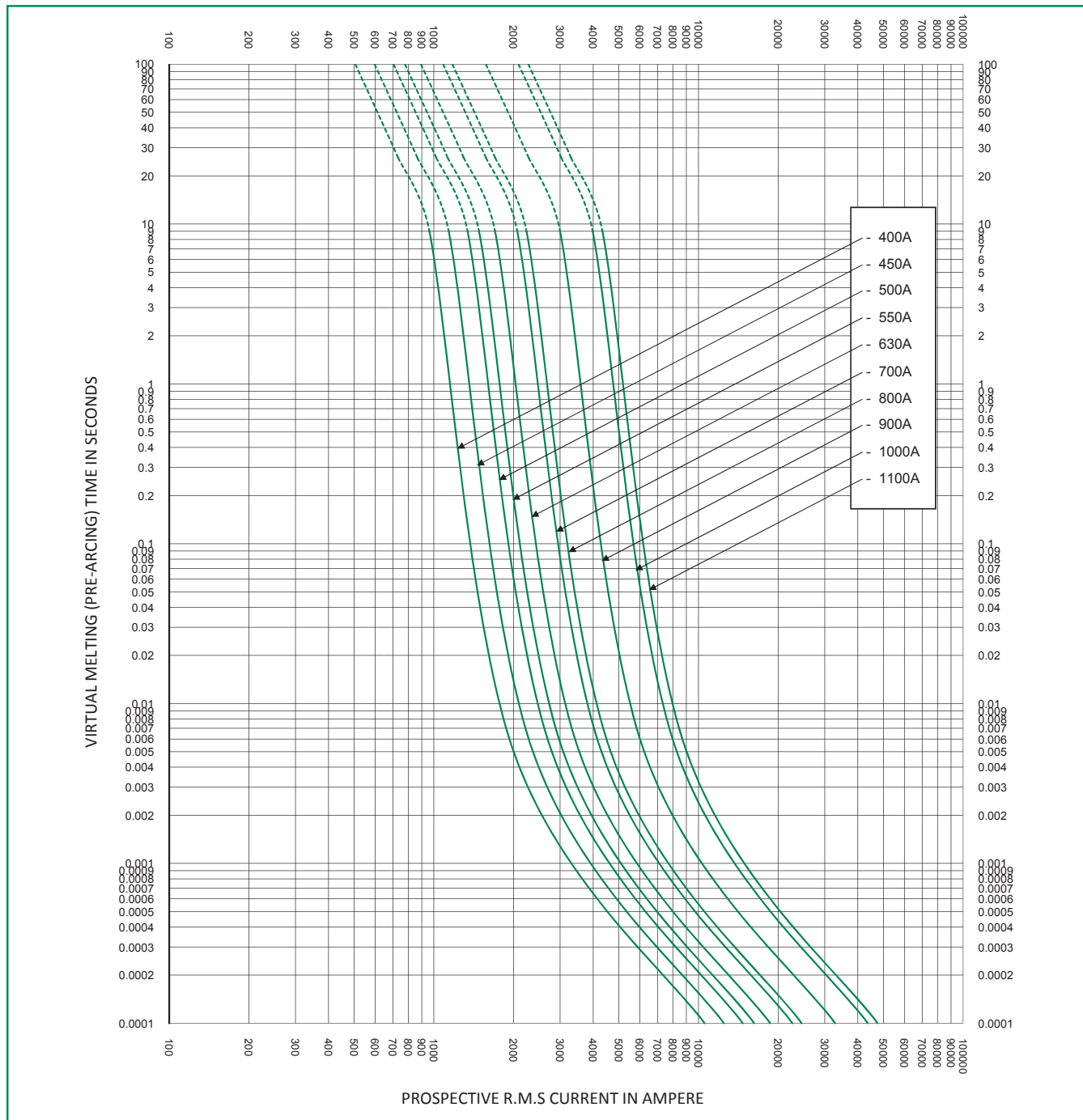


* Dc minimum breaking capacity = 9 x In

POWR-SPEED® Fuse

PSR SERIES HIGH-SPEED SQUARE BODY

Time Current Curve (32 Case Size)

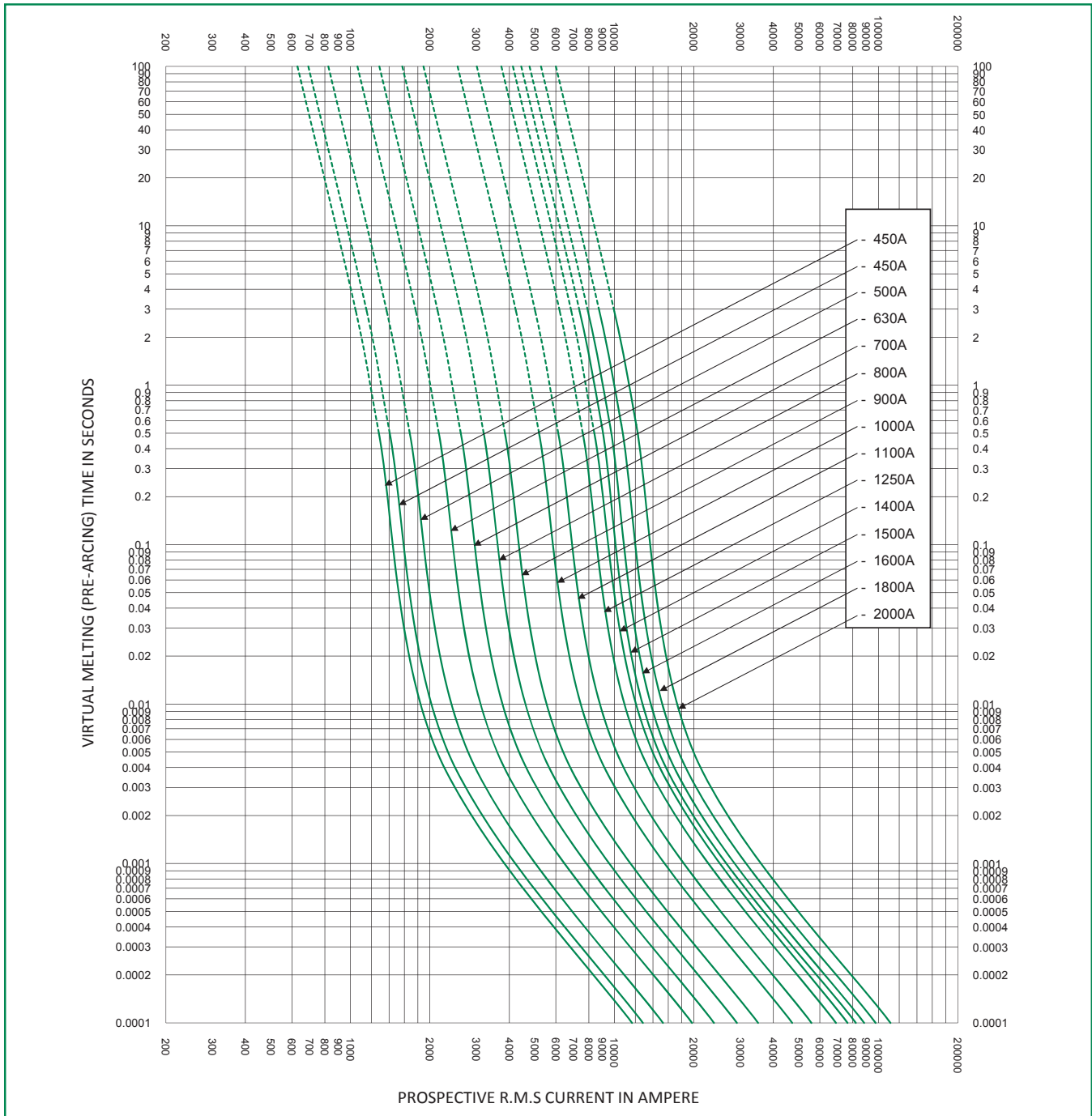


* Dc minimum breaking capacity = 9 x In

POWR-SPEED® Fuse

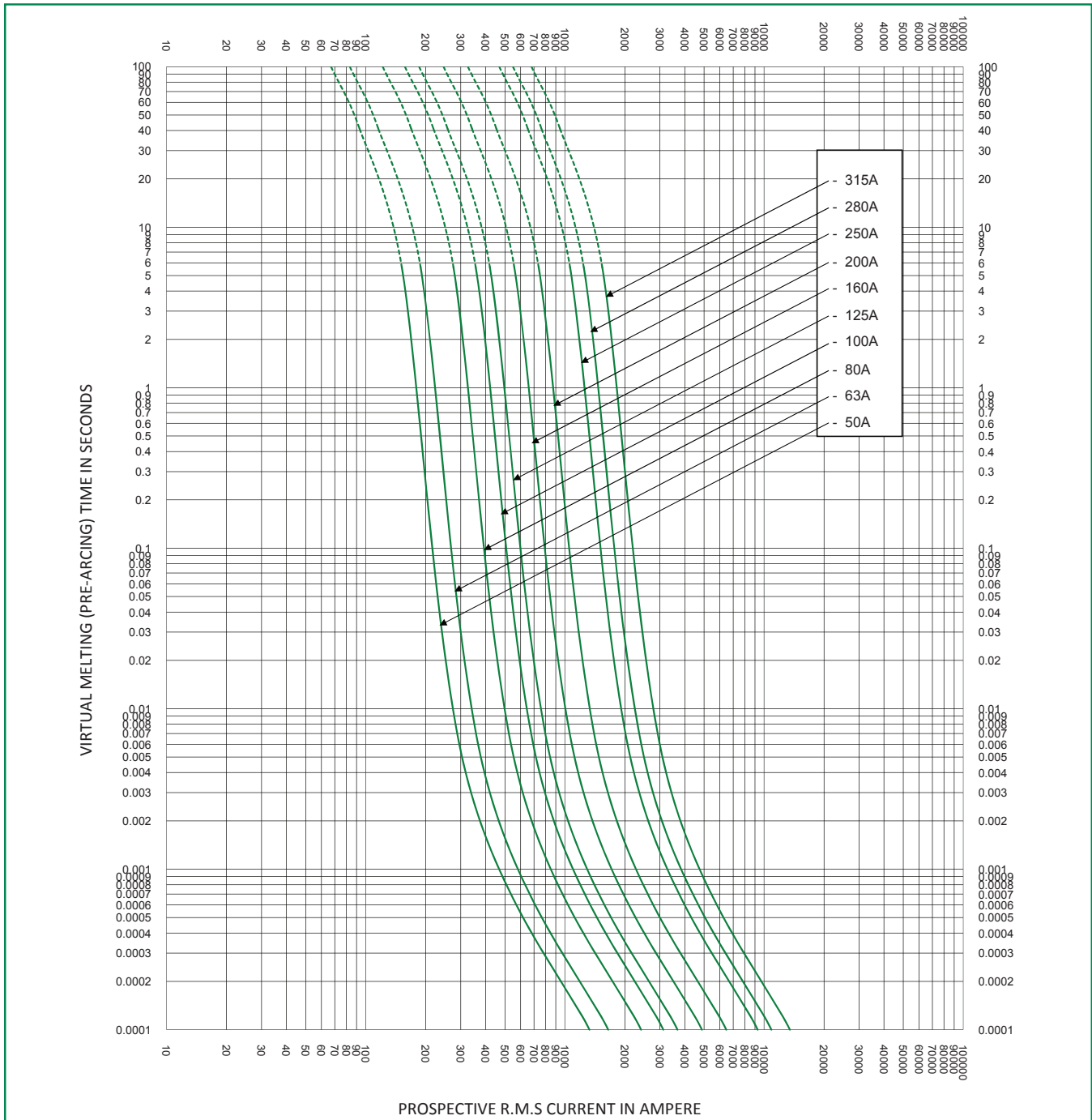
PSR SERIES HIGH-SPEED SQUARE BODY

Time Current Curve (33 Case Size)



* Dc minimum breaking capacity = 9 x In

Time Current Curve (70 Case Size)

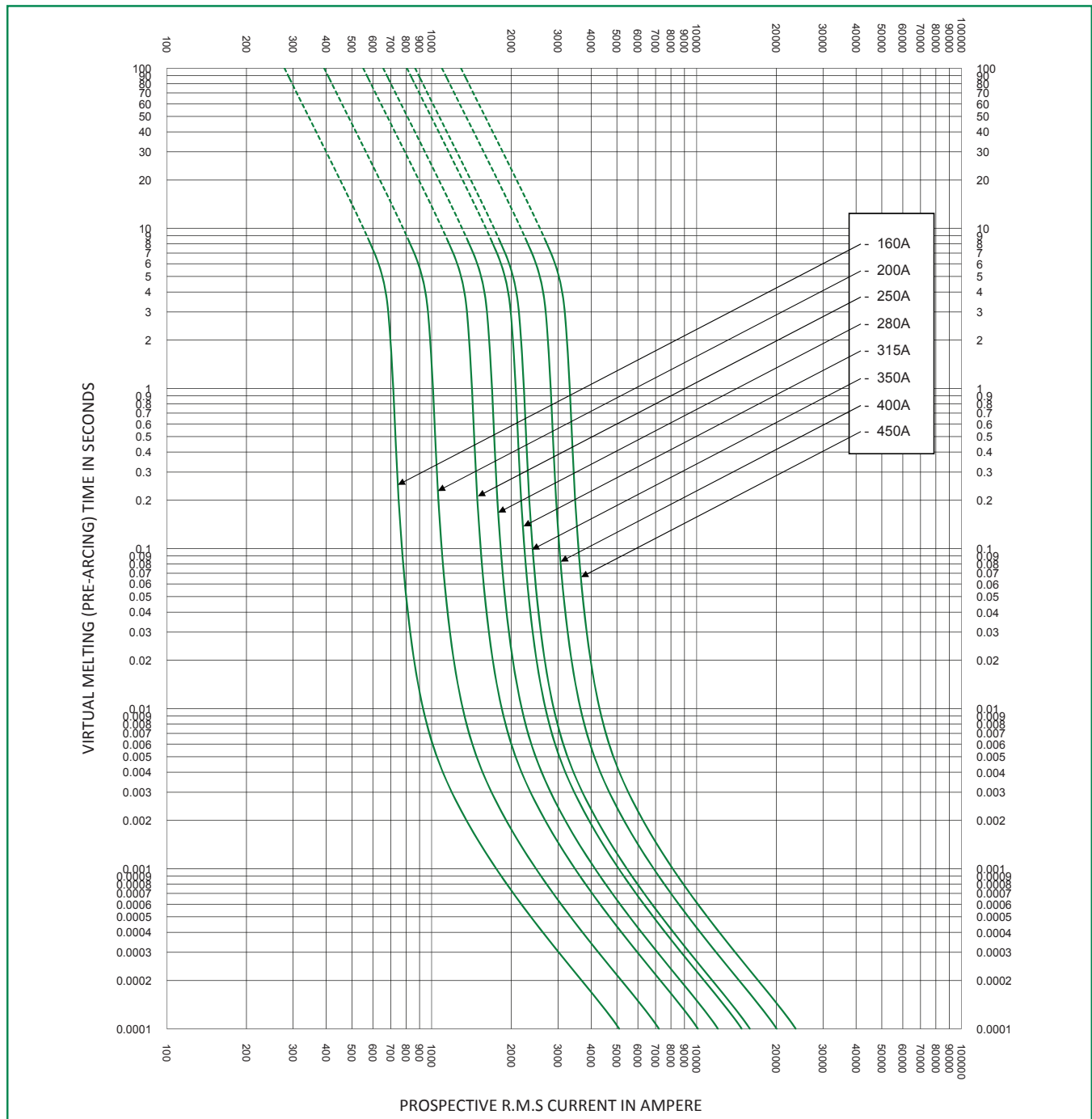


* Dc minimum breaking capacity = 9 x In

POWR-SPEED® Fuse

PSR SERIES HIGH-SPEED SQUARE BODY

Time Current Curve (71 Case Size)



* Dc minimum breaking capacity = 9 x In

Time Current Curve (72 Case Size)

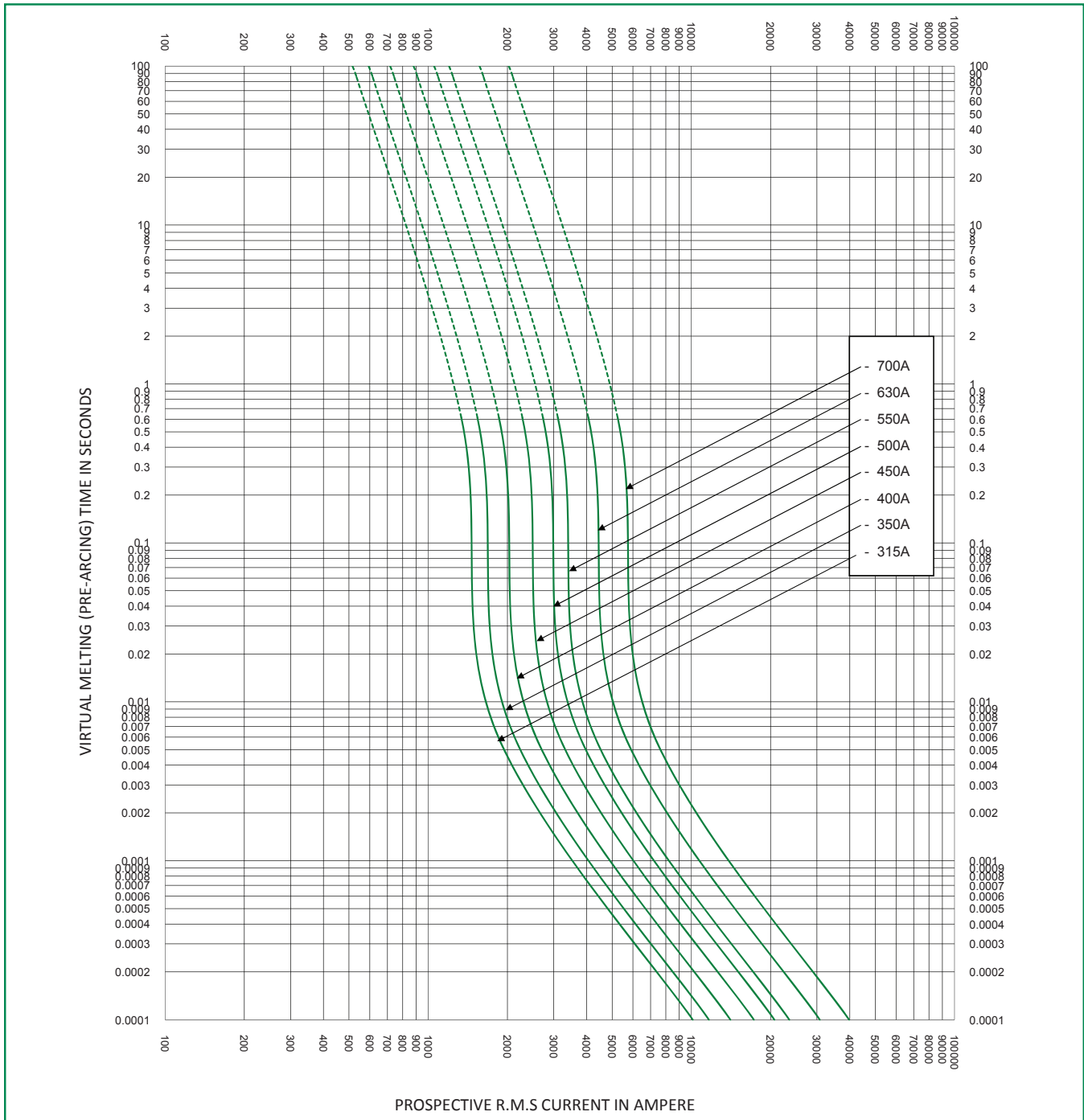


* Dc minimum breaking capacity = 9 x I_n

POWR-SPEED® Fuse

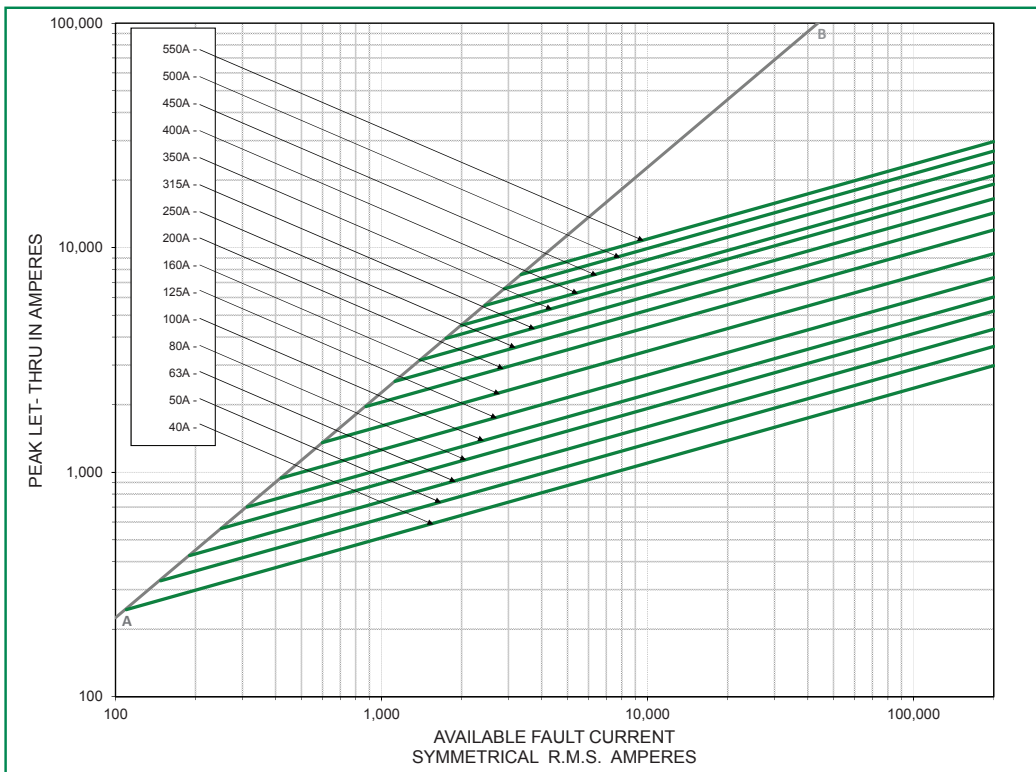
PSR SERIES HIGH-SPEED SQUARE BODY

Time Current Curve (73 Case Size)

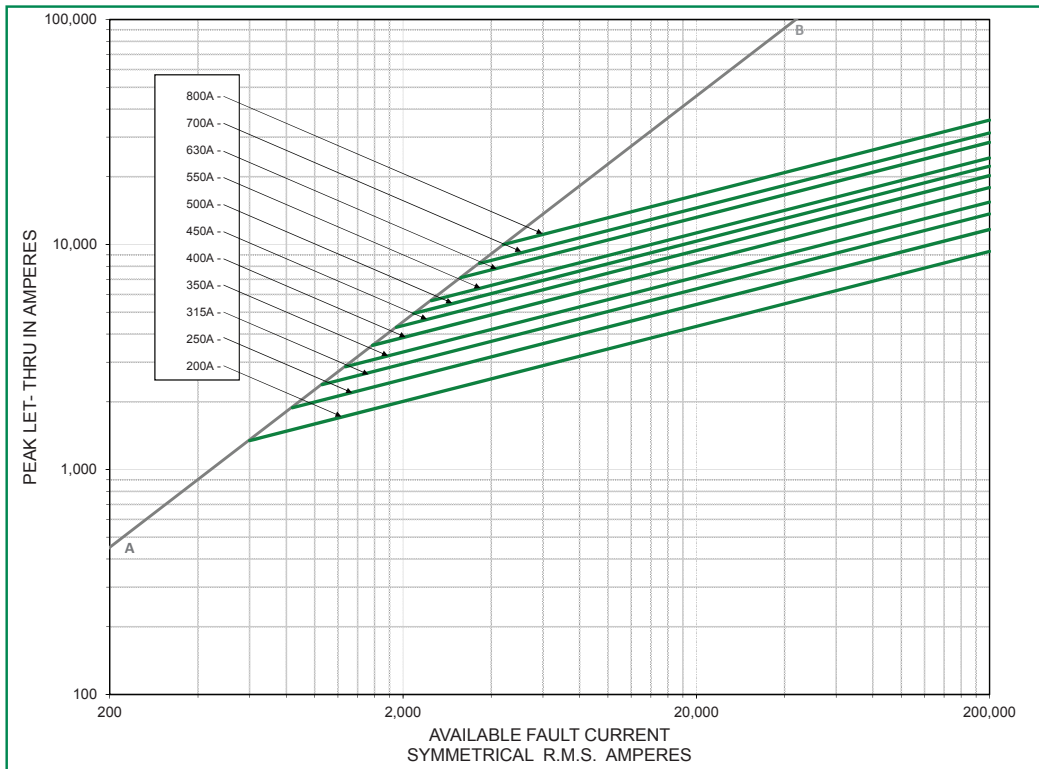


* Dc minimum breaking capacity = 9 x In

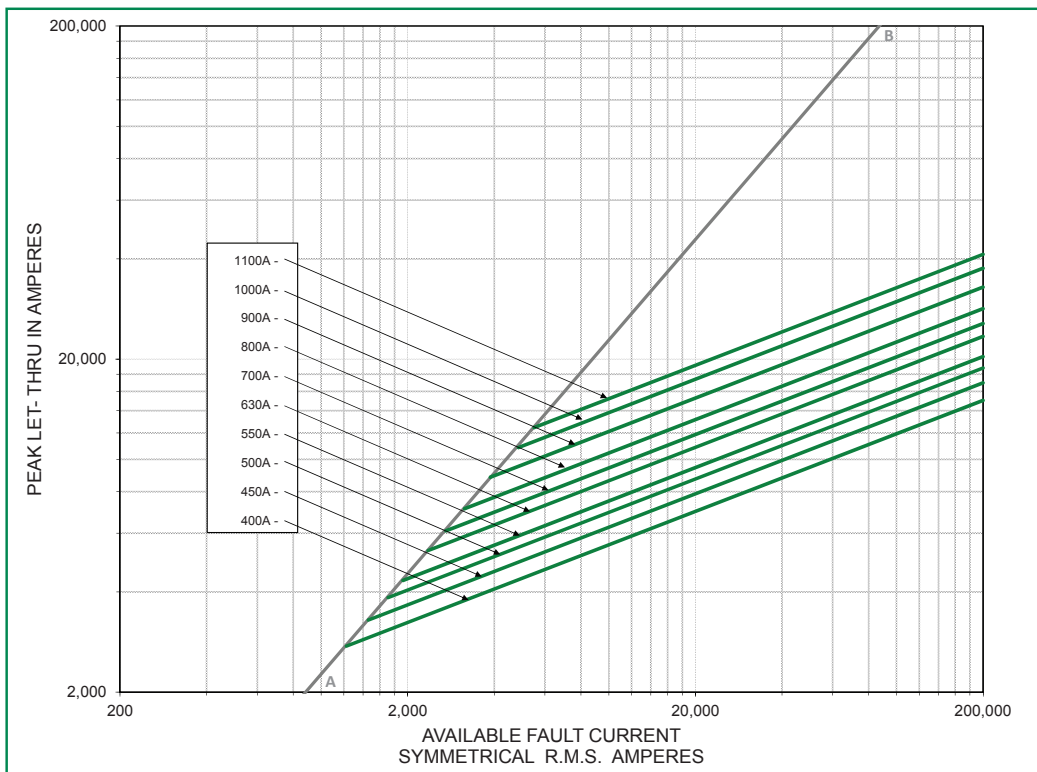
Peak Let-Thru Curve (30 Case Size)



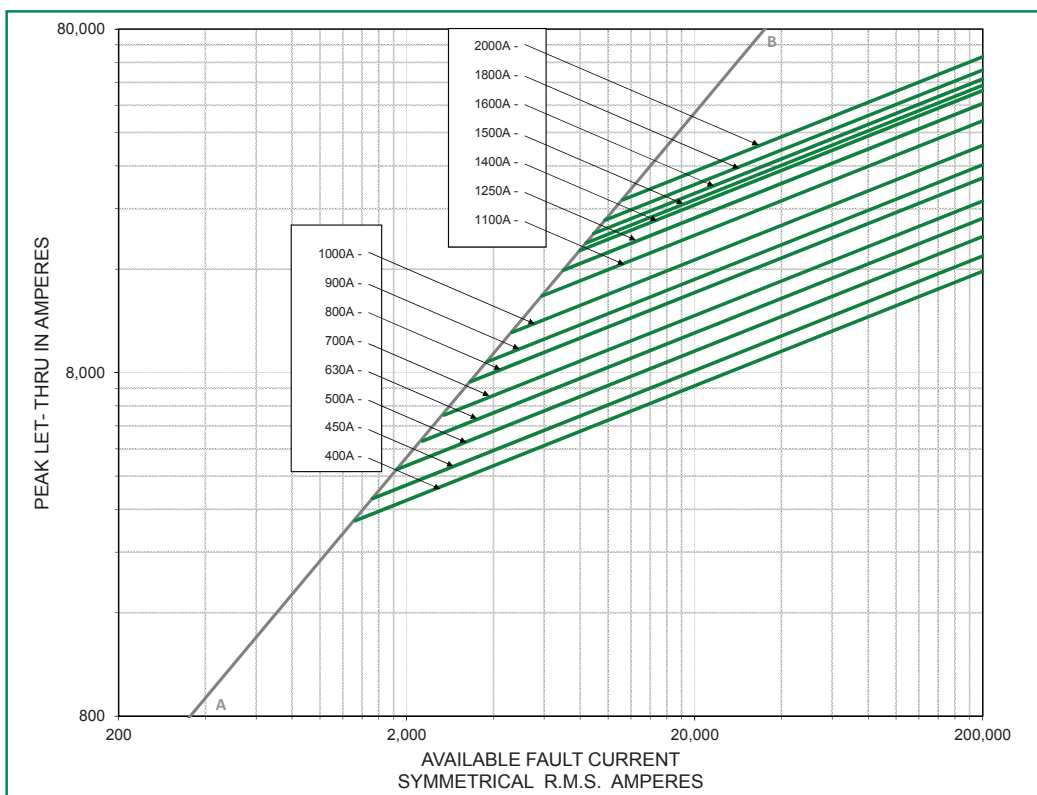
Peak Let-Thru Curve (31 Case Size)



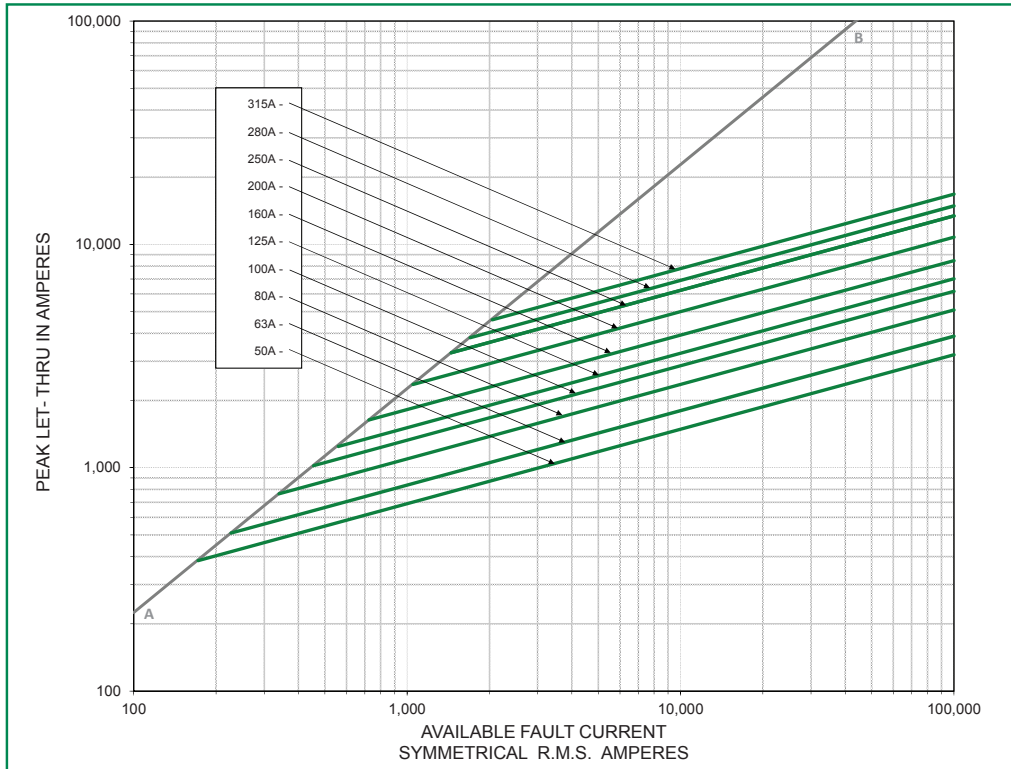
Peak Let-Thru Curve (32 Case Size)



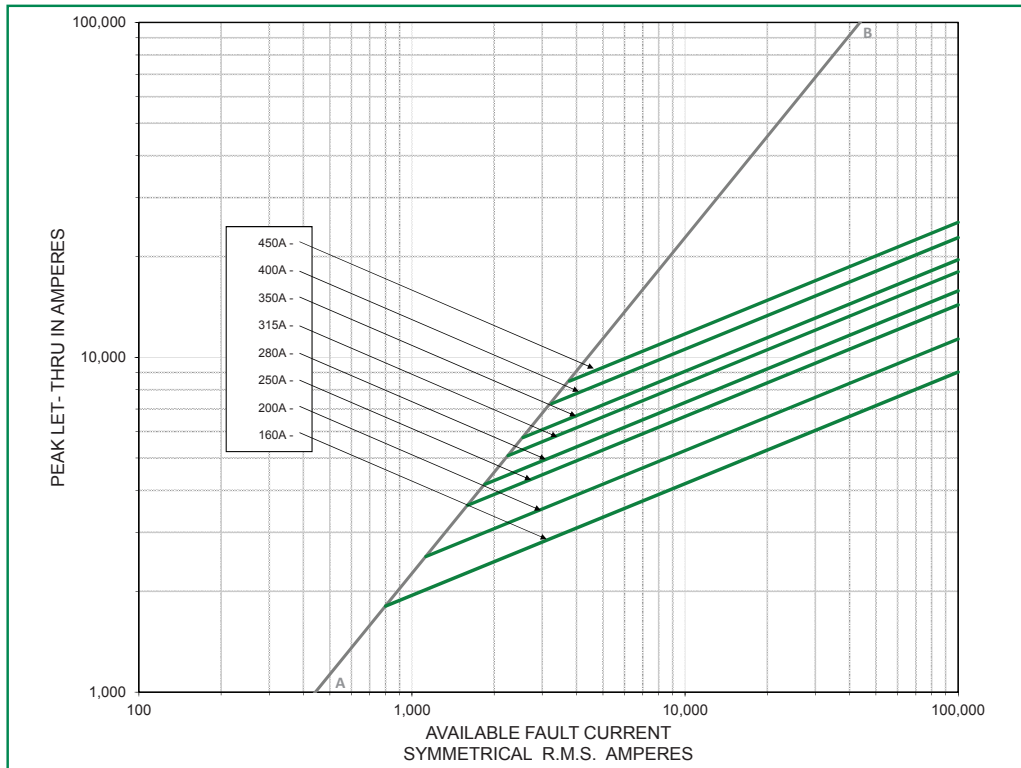
Peak Let-Thru Curve (33 Case Size)



Peak Let-Thru Curve (70 Case Size)



Peak Let-Thru Curve (71 Case Size)



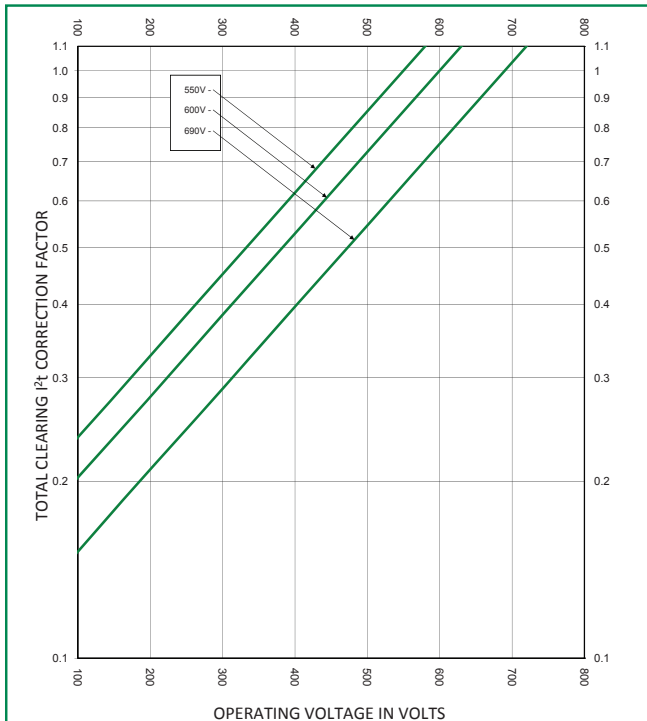
Peak Let-Thru Curve (72 Case Size)



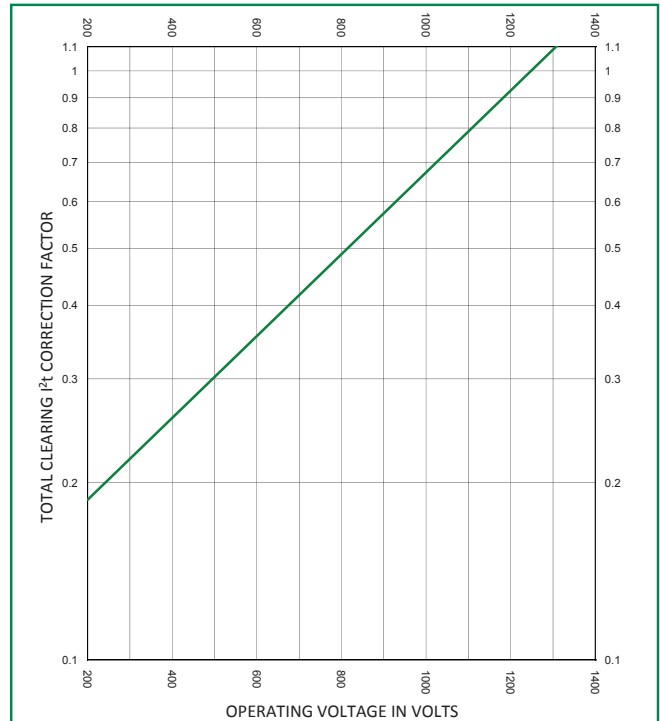
Peak Let-Thru Curve (73 Case Size)



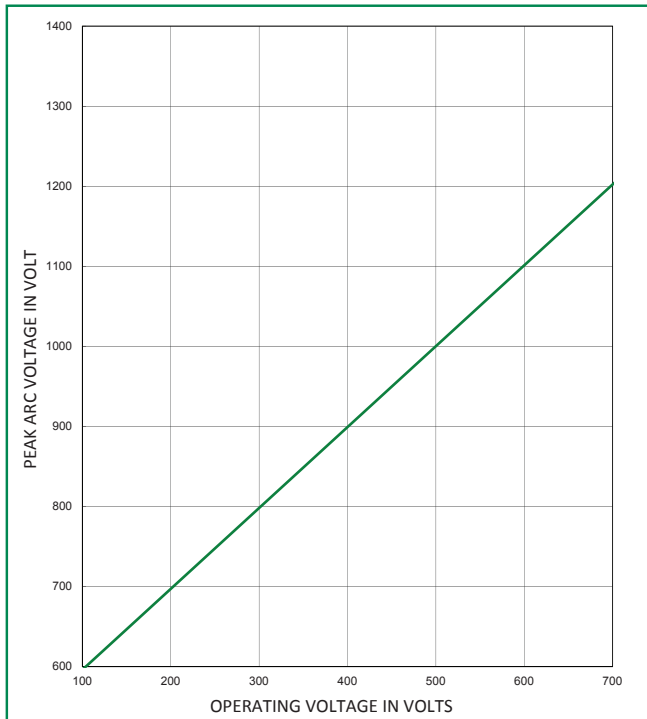
Total Clearing I²t Correction Factor Curve
Case Size (30, 31, 32 and 33)



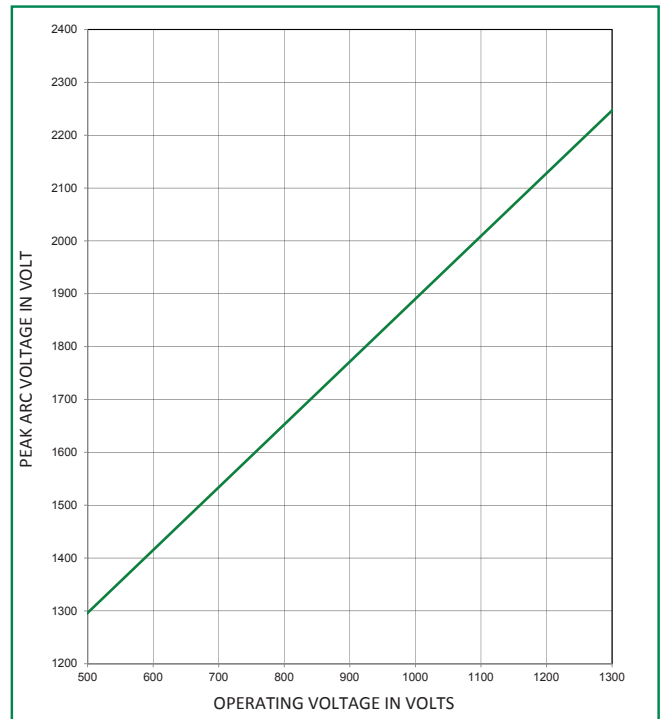
Total Clearing I²t Correction Factor Curve
Case Size (70, 71, 72, and 73)



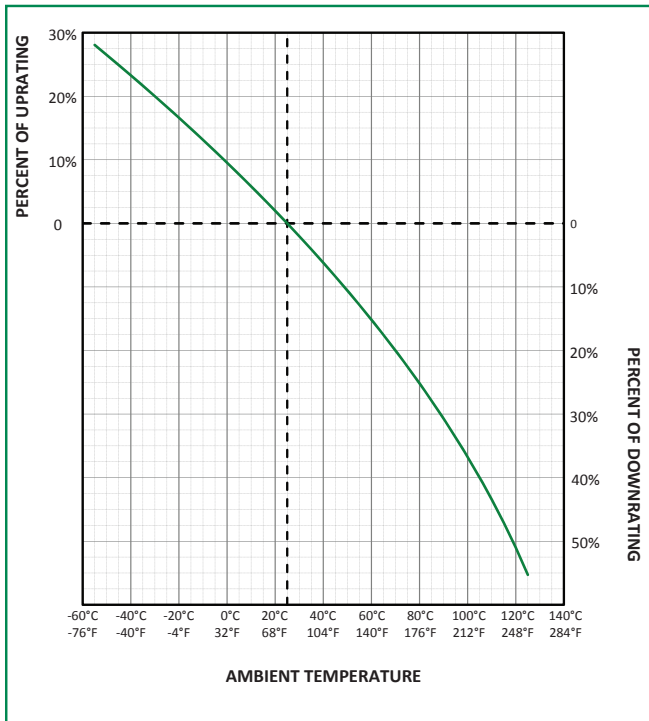
Peak Arc Voltage Curve
Case Size (30, 31, 32 and 33)



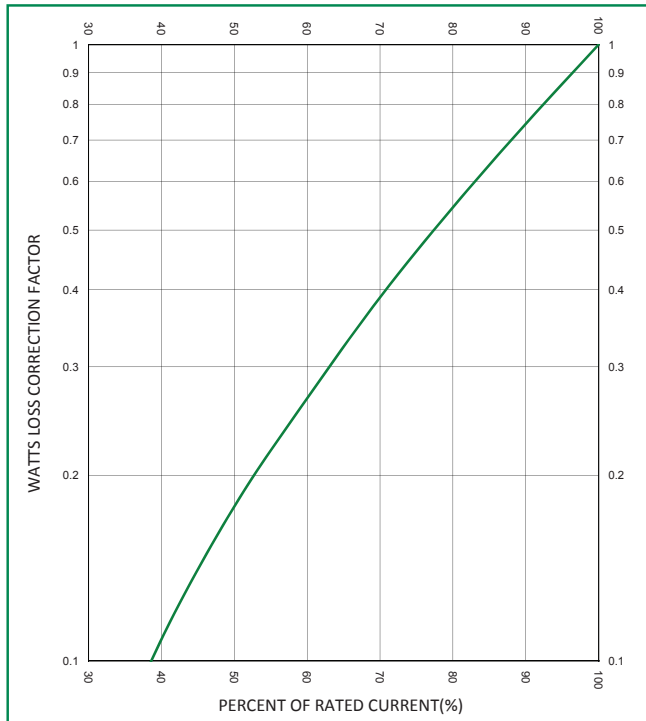
Peak Arc Voltage Curve
Case Size (70, 71, 72, and 73)



Temperature Derating Curve
 (temperature of air immediately surrounding fuse)



Watts Loss Correction Factor Curve



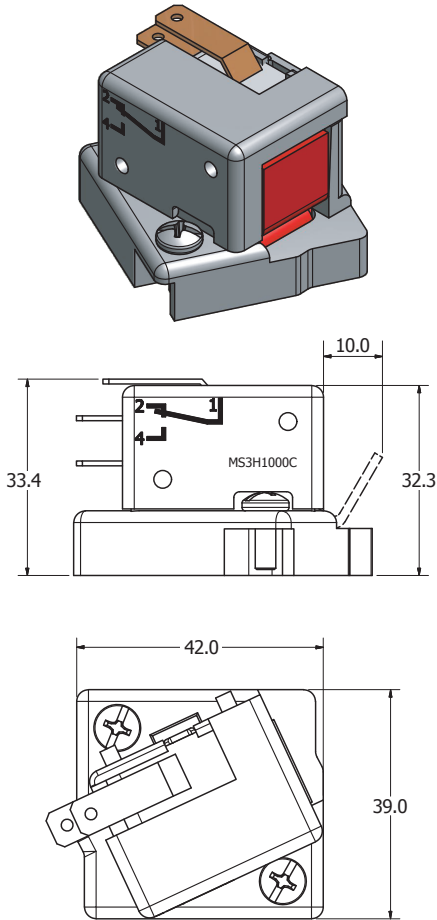
POWR-SPEED® Fuse

PSR SERIES HIGH-SPEED SQUARE BODY

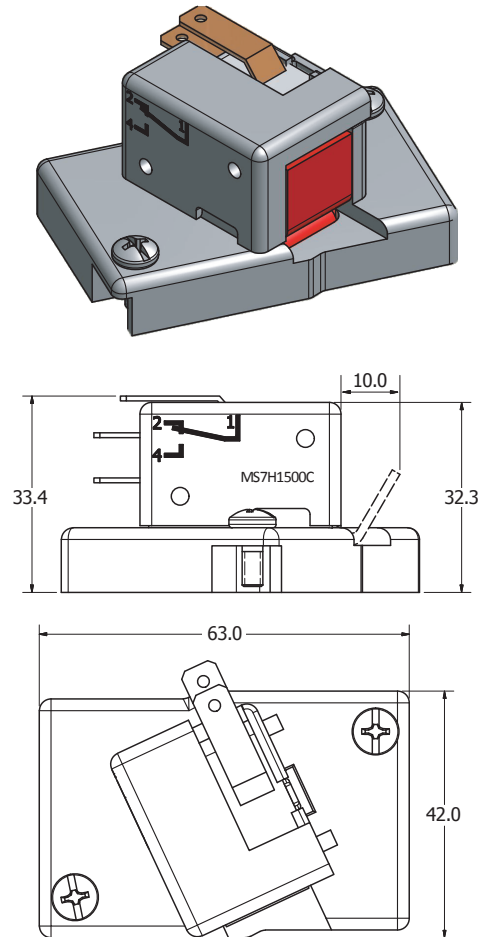
Microswitch

Dimensions in millimeters

MS3H1000C



MS7H1500C



Electrical Characteristics

| CATALOG NUMBER/ ORDERING NUMBER | INDICATING STYLE | INSULATION VOLTAGE RATING (V AC) | FUSE CASE SIZE | POSITIVE OPERATING MIN VOLTAGE/ MIN CURRENT | INTERRUPTING RATING | | | | | | OPERATING TEMPERATURE | RELATIVE HUMIDITY | PACK QUANTITY | |
|------------------------------------|------------------|----------------------------------|----------------|--|---------------------|--------------------|-------|-------|-------------------------------|-------|-----------------------|-------------------|---------------|-----------|
| | | | | | CURRENT | NON-INDUCTIVE LOAD | | | INDUCTIVE LOAD (DC L/R=25 ms) | | | | | |
| | | | | | | 30 V | 110 V | 250 V | 30 V | 110 V | | | | 250 V |
| MS3H1000C* | Standard NO-NC | 1000 | 30, 31, 32, 33 | 4 V / 1mA | Ac (50/60 Hz) | 5 A | 5 A | 5 A | 5 A | 5 A | 4 A | -60 °C to +125 °C | 95 % | 3 pcs/bag |
| | | | | | Dc | 5 A | 0.6 A | 0.3 A | 3 A | 0.2 A | 0.1 A | | | |
| MS7H1500C* | Standard NO-NC | 1500 | 70, 71, 72, 73 | 4 V / 1mA | Ac (50/60 Hz) | 5 A | 5 A | 5 A | 5 A | 5 A | 4 A | -60 °C to +125 °C | 95 % | 3 pcs/bag |
| | | | | | Dc | 5 A | 0.6 A | 0.3 A | 3 A | 0.2 A | 0.1 A | | | |

* Contains internal microswitch (Part Number: U83161.8), listed under UL File: E42016.

Disclaimer Notice – Information furnished is believed to be accurate and reliable. However, users should independently evaluate the suitability of and test each product selected for their own applications. Littelfuse products are not designed for, and may not be used in, all applications. Read complete Disclaimer Notice at www.littelfuse.com/product-disclaimer.

X-ON Electronics

Largest Supplier of Electrical and Electronic Components

Click to view similar products for [Specialty Fuses](#) category:

Click to view products by [Littelfuse](#) manufacturer:

Other Similar products are found below :

[63NZ02GL](#) [714125](#) [722134](#) [F02A-4AS](#) [F02B-1A](#) [80NH00GR-6](#) [FWH-200A](#) [FWP-32A14F](#) [12LCT](#) [12TDLSJ63](#) [REN-3](#) [15.5CAVH2E](#)
[ECF-1](#) [ECF-2](#) [ECF-3](#) [ECF-4](#) [170M0213](#) [170M1369-D](#) [170M3809D](#) [BK/F02B-1A](#) [N-2-1/2](#) [N-3-2/10](#) [NITD2](#) [20D16](#) [KAA-3](#) [KAB-30](#)
[KAW-3](#) [2D16](#) [LKN-125B](#) [16D27SB](#) [16FC](#) [170M1564D](#) [170M2616](#) [170M2668](#) [170M4161](#) [170M4241](#) [170M4699](#) [ESD63](#) [ABS-30](#) [ABS-8](#)
[ACF-15](#) [ACF-30](#) [ACO-30](#) [F02A-10A](#) [SSD10](#) [200NH1M](#) [FWP-25A14FI](#) [FWP-40A14FI](#) [FWP-500A](#) [FWP-63A22FI](#)