

RS485MS-2W

Communication Module



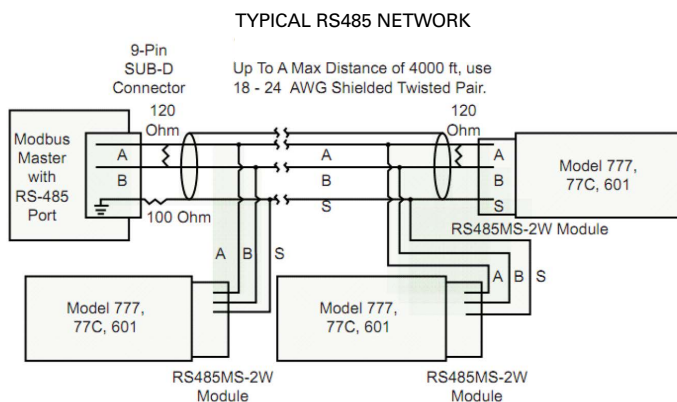
Description

The RS485MS-2W is required to enable the Modbus communications function on Model 77x-type products. This module is required when the RM1000, RM2000 or other Modbus capable device is used with 77x-type products.

Features

- Optical isolation from line potentials
- Powered by the 77x product
- RS-485 compliant bus drive capability
- Remote reset input connection
- Power connection for the Model RM1000

Wiring Diagram



Refer to the manual for basic and extended network diagrams.

Accessories



RS485-RS232 Converter with cable & plug

Allows RS485 devices to be connected to a PC via the RS232 (serial) port. Provides convenient terminal blocks for making signal and DC power supply connections. Pre-wired.



RS485-USB Converter with cable & plug/RS232:USB

Allows RS485 devices to be connected to a PC via the USB port. Provides convenient terminal blocks for making signal and DC power supply connections. Pre-wired.

Specifications

Functional Specifications

Remote Reset (for optional use with 777 Series) Normally open pushbutton rated 24VDC, 10mA (min.)

General Characteristics

Ambient Operating Temperature -20° to 50°C (-4° to 122°F)

Terminal (depluggable terminal block)

Torque 3 in.-lbs. (max.)

Wire AWG 12-20 AWG

Class of Protection IP20

Relative Humidity 10-95%, non-condensing per IEC 68-2-3

Standards Passed

Electrostatic Discharge (ESD) IEC 61000-4-2, Level 3, 6kV contact, 8kV air

Radio Frequency Immunity, Radiated 150 MHz, 10V/m

Fast Transient Burst IEC 61000-4-4, Level 3, 4kV input power

Hi-Potential Test Meets UL508 (2 x rated V + 1000V for 1 min)

Surge

Input Power IEC 61000-4-5, Level 1

Inputs/Data Lines IEC 61000-4-5, Level 2

Safety Marks

UL UL508 (File #E68520)

CE IEC 60947

Enclosure Polycarbonate

Dimensions

H 52.83 mm (2.08"); **W** 73.66 mm (2.9");

D 19.56 mm (.77")

Weight

0.26 lb. (4.16oz., 117.93 g)

Mounting Method

9-pin D-Sub connector on the side of a 777-Series

X-ON Electronics

Largest Supplier of Electrical and Electronic Components

Click to view similar products for [Interface Modules](#) category:

Click to view products by [Littelfuse](#) manufacturer:

Other Similar products are found below :

[8500-003](#) [IFD8520](#) [cPCI-3544](#) [422CON](#) [ATX6022/14GP7](#) [ATX6022/8](#) [AX93221-24/48](#) [FC6A-EXM2](#) [OPT8AP-AE](#) [60006-016](#)
[96RMKVM-19V1C-A](#) [60016-011](#) [60016-014](#) [60006-008](#) [60016-015](#) [60011-075](#) [HPCI-14S12U](#) [cBP-3208](#) [cBP-3062A](#) [FAB205-6P5](#)
[ATX6022/6](#) [60016-012](#) [96RMKVM-17V1C-A](#) [PCE-DP10-00A1E](#) [MOS-1120Y-0201E](#) [96RMLCD-17V1-A](#) [96RMKVM-17V8C-A](#) [60004-](#)
[005](#) [60016-017](#) [60006-019](#) [60006-009](#) [60016-035](#) [60016-034](#) [60016-031](#) [60016-030](#) [60016-026](#) [60016-025](#) [60016-024](#) [60016-021](#) [60016-](#)
[018](#) [60016-007](#) [60016-006](#) [60016-005](#) [60016-004](#) [60007-002](#) [60006-018](#) [60006-010](#) [AXX10GBTWLHW3](#) [382-BBEH](#) [555-BDCL](#)