

SE-CS10 SERIES

Current Sensor

CE



Description

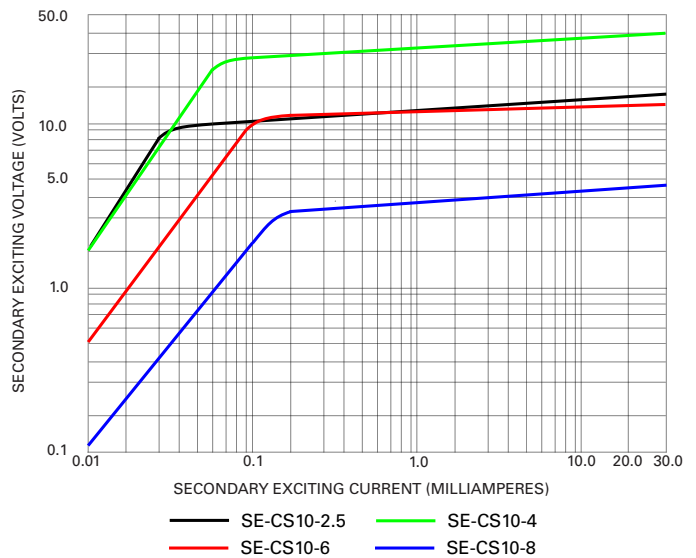
The SE-CS10 series is a current transformer used with Littelfuse relays to detect earth leakage current.

Specifications

Turns Ratio	200:1
Current Rating	12.5:0.0625 A
Accuracy	1%
Frequency	50-400 Hz
Insulation Level	600 V, 10 kV BIL full wave
Operating Temperature	-40 to 60°C (-40 to 140°F)
Application	SE-134C, SE-135, SE-145, SE-330
Certification	CE
Compliance	IEC 60044-1

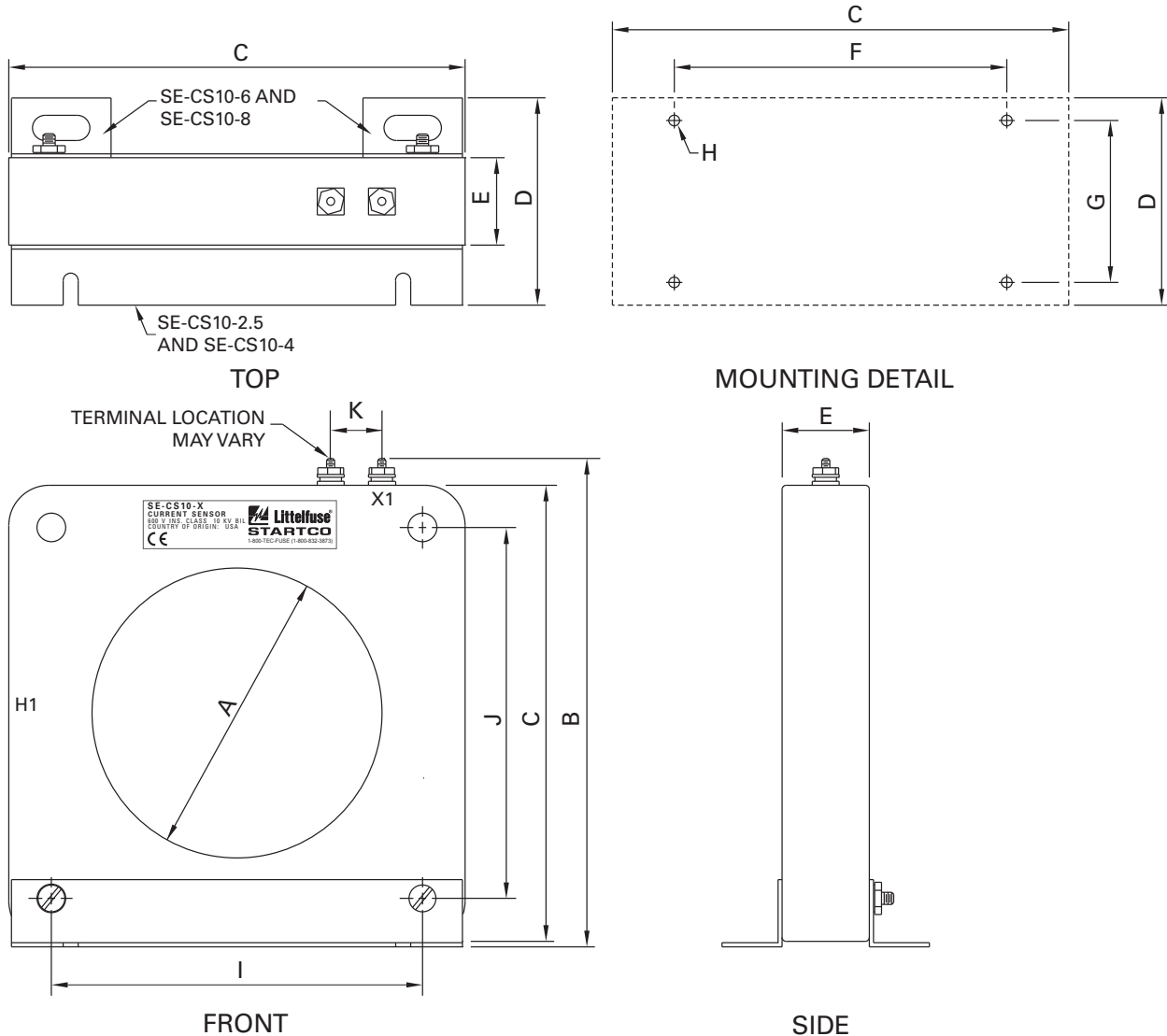
Ordering Information

ORDERING NUMBER	WINDOW SIZE, ID	VA RATING	WEIGHT
SE-CS10-2.5	63.5 mm (2.5")	35	0.5 kg (1 lb)
SE-CS10-4	108.0 mm (4.25")	50	1.8 kg (4 lb)
SE-CS10-6	160.3 mm (6.3")	25	2.3 kg (5 lb)
SE-CS10-8	209.5 mm (8.25")	25	3.6 kg (8 lb)



SE-CS10 SERIES

Dimensions and Mounting Diagram



NOTES:

1. DIMENSIONS IN MILLIMETRES (INCHES).
2. RoHS COMPLIANCE PENDING.
3. EN 60044-1 COMPLIANT.

PART NUMBER	DIMENSIONS							MOUNTING SCREW H	DIMENSIONS		
	A	B	C	D	E	F	G		I	J	K
SE-CS10-2.5	63.5 (2.50)	135.1 (5.32)	124.0 (4.88)	72.6 (2.86)	27.9 (1.10)	69.9 (2.75)	54.4 (2.14)	M4 (8-32)	88.9 (3.50)	N/A	83.3 (3.28)
SE-CS10-4	108.0 (4.25)	184.0 (7.24)	169.9 (6.69)	77.2 (3.04)	32.5 (1.28)	123.7 (4.87)	60.5 (2.38)	M4 (8-32)	138.2 (5.44)	138.2 (5.44)	19.0 (0.75)
SE-CS10-6	160.3 (6.31)	229.0 (9.00)	215.9 (8.50)	101.6 (4.00)	31.8 (1.25)	165.0 (6.50)	73.2 (2.88)	M10 (0.375)	171.5 (6.75)	171.5 (6.75)	19.0 (0.75)
SE-CS10-8	209.5 (8.25)	279.4 (11.00)	266.7 (10.50)	108.7 (4.28)	38.9 (1.53)	225.0 (8.86)	80.0 (3.15)	M10 (0.375)	200.7 (7.90)	200.7 (7.90)	19.0 (0.75)

X-ON Electronics

Largest Supplier of Electrical and Electronic Components

Click to view similar products for [Current Transformers](#) category:

Click to view products by [Littelfuse](#) manufacturer:

Other Similar products are found below :

[L595100](#) [ACST-260](#) [MP3500](#) [L595050](#) [E54CT1L](#) [CTD-KIT](#) [44021](#) [44104](#) [44176](#) [44248](#) [45041](#) [45071](#) [PA3828NL](#) [CT16-1-50A/50MA](#)
[SPCT 100/60 1200/5A VA 15 CL 0.5](#) [SPCT 100/60 1000/5A VA 15 CL 0.5](#) [SPCT 100/60 600/5 A VA 7.5 CL 1](#) [SPCT 100/60 600/5 A VA 5](#)
[CL 0.5](#) [SPCT 100/60 800/5 A VA 10 CL 0.5](#) [SPCT 140/100 1200/5A VA 15 CL 0.5](#) [SPCT 140/100 1250/5A VA 15 CL 0.5](#) [SPCT 140/100](#)
[1500/5A VA 15 CL 0.5](#) [SPCT 140/100 1600/5A VA 15 CL 0.5](#) [SPCT 140/100 1000/5A VA 15 CL 0.5](#) [SPCT 140/100 2500/5A VA 15 CL 0.5](#)
[SPCT 140/100 2000/5A VA 15 CL 0.5](#) [SPCT 140/100 3000/5A VA 15 CL 0.5](#) [SPCT 140/100 800/5A VA 15 CL 0.5](#) [SPCT 62/30 50/5A VA1](#)
[CL 3](#) [SPCT 62/30 60/5A VA1 CL 3](#) [SPCT 62/30 75/5A VA1 CL 3](#) [SPCT 62/30 75/5A VA3 CL 3](#) [SPCT 62/40 100/5 A VA 1 CL 1](#) [SPCT](#)
[62/40 125/5 A VA 1 CL 1](#) [SPCT 62/40 150/5 A VA 3 CL 1](#) [SPCT 62/40 160/5 A VA 1.5 CL 1](#) [SPCT 62/40 200/5 A VA 3 CL 1](#) [SPCT 62/40](#)
[250/5 A VA 2.5 CL 0.5](#) [SPCT 62/40 250/5 A VA 3 CL 1](#) [SPCT 62/40 300/5 A VA 3 CL 0.5](#) [SPCT 62/40 400/5 A VA 3.75 CL 0.5](#)
[2CSM029000R1211](#) [HPT205NBJ-1](#) [HCT204KFH](#) [HCT20K-QD](#) [HPT205A/F](#) [HCT-1\(80\)AH](#) [HCT916HBT-1W](#) [CT100A](#) [PVS100/230/110V](#)