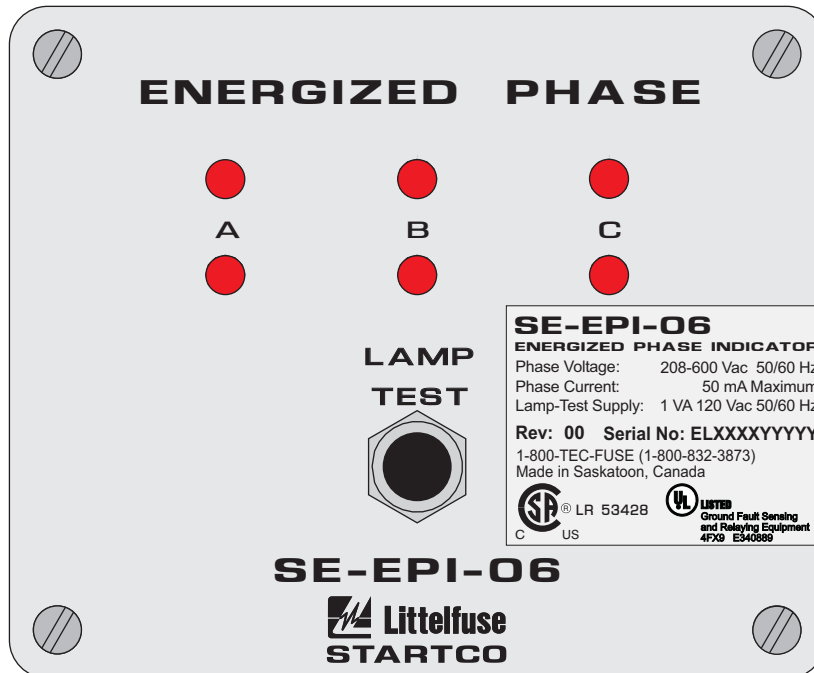


## SE-EPI-06 MANUAL ENERGIZED PHASE INDICATOR

March 9, 2012

REVISION 3



Copyright © 2012 by Littelfuse Startco

All rights reserved.

## TABLE OF CONTENTS

	<b>PAGE</b>
Table of Contents .....	i
List of Figures.....	i
<b>1. Features</b> .....	<b>1</b>
<b>2. Description</b> .....	<b>1</b>
<b>3. Installation</b> .....	<b>1</b>
<b>4. Technical Specifications</b> .....	<b>4</b>

## LIST OF FIGURES

<b>FIGURE</b>		<b>PAGE</b>
1.	SE-EPI-06 Outline and Mounting Details .....	1
2.	Connection Diagram for an Ungrounded 240- to 600-V System.....	2
3.	Connection Diagram for Ungrounded Systems above 600 V .....	2
4.	Connection Diagram for a Resistance-Grounded System up to 600-V .....	3
5.	Connection Diagram for Resistance-Grounded Systems above 600 V .....	3

## DISCLAIMER

Specifications are subject to change without notice. Littelfuse Startco is not liable for contingent or consequential damages, or for expenses sustained as a result of incorrect application, incorrect adjustment, or a malfunction.

**1. FEATURES**

- Red LED's indicate presence of voltage to ground for each phase of a power system.
  - Redundant LED's are used for reliability.
- Pressing LAMP TEST causes all LED's to light.

**NOTE:** The LAMP TEST feature requires an isolated 120 Vac supply.

- Direct connection for voltages up to 600 Vac line to line.
  - Potential transformers (PT's) are required for voltages greater than 600 Vac.

**2. DESCRIPTION**

The SE-EPI-06 is a self-powered voltage indication system. Presence of phase-to-ground voltage is indicated by redundant LED's (two per phase). The respective LED's are on when voltage is present.

**3. INSTALLATION**

Outline and panel-mounting details are shown in Fig. 1. For 208- to 600-Vac systems, connect the SE-EPI-06 directly to the three-phase bus. For 208- or 240-volt installations, use terminals AL, BL, and CL. For systems above 240 V and up to 600 V, use terminals AH, BH, and CH. See Figs. 2 and 4.

For systems above 600 V, install PT's as shown in Figs. 3 and 5.

Connect terminal G and chassis-bonding terminal (⊕) to ground.

For LAMP TEST connect 120 Vac supply to L and G. Connection and use of LAMP TEST circuit is optional.

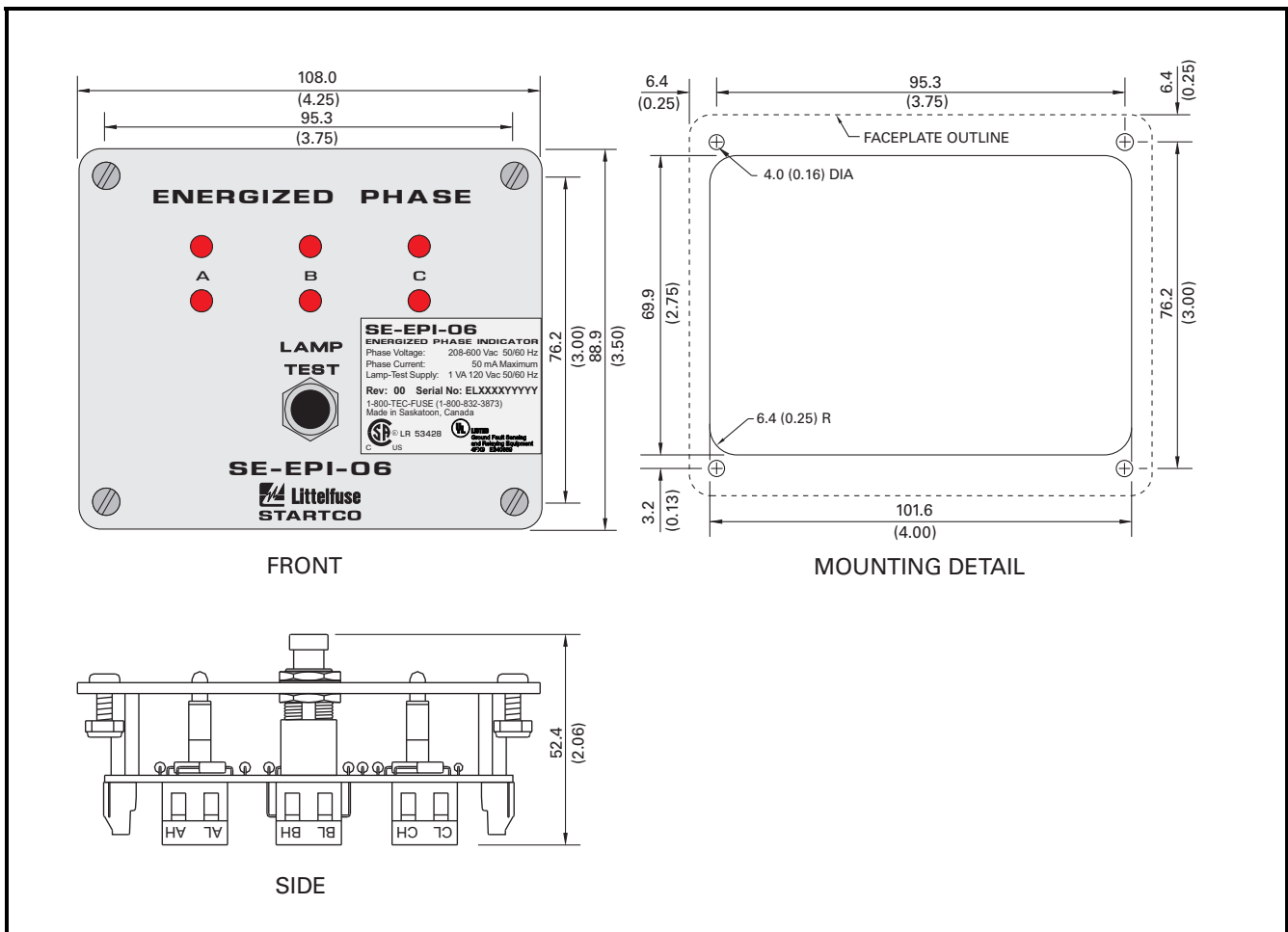


FIGURE 1. SE-EPI-06 Outline and Mounting Details.

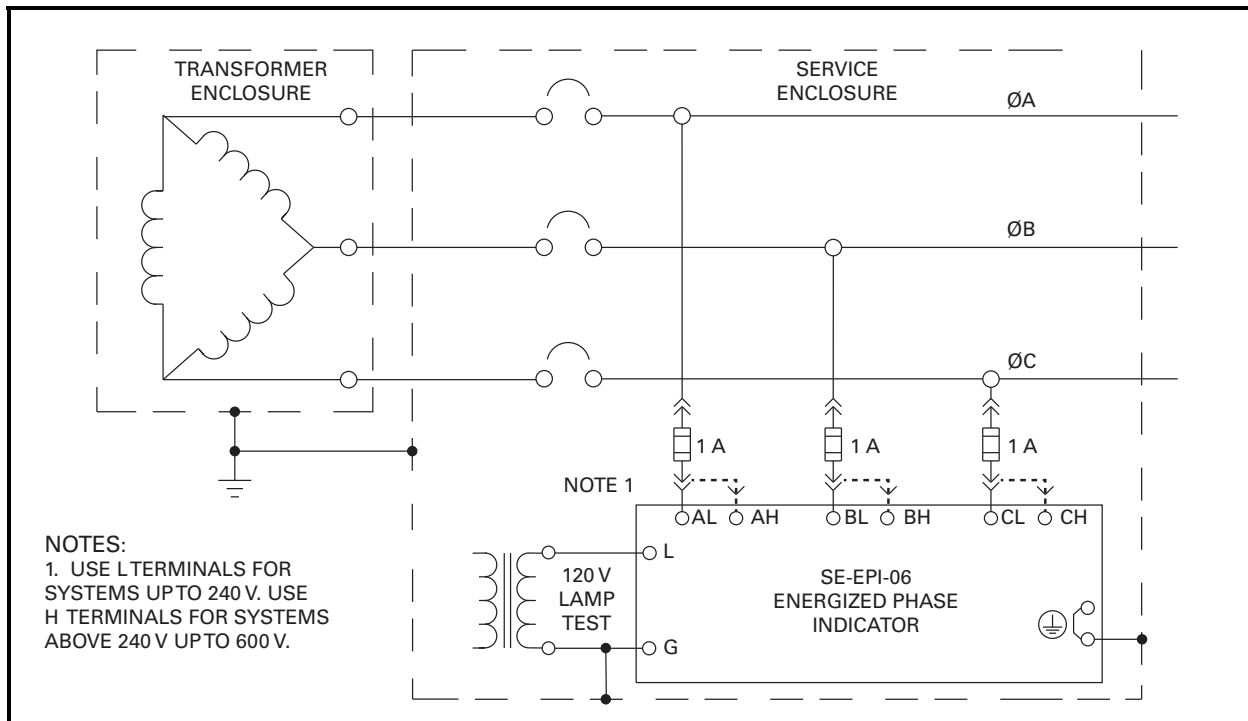


FIGURE 2. Connection Diagram for an Ungrounded 240- to 600-V System.

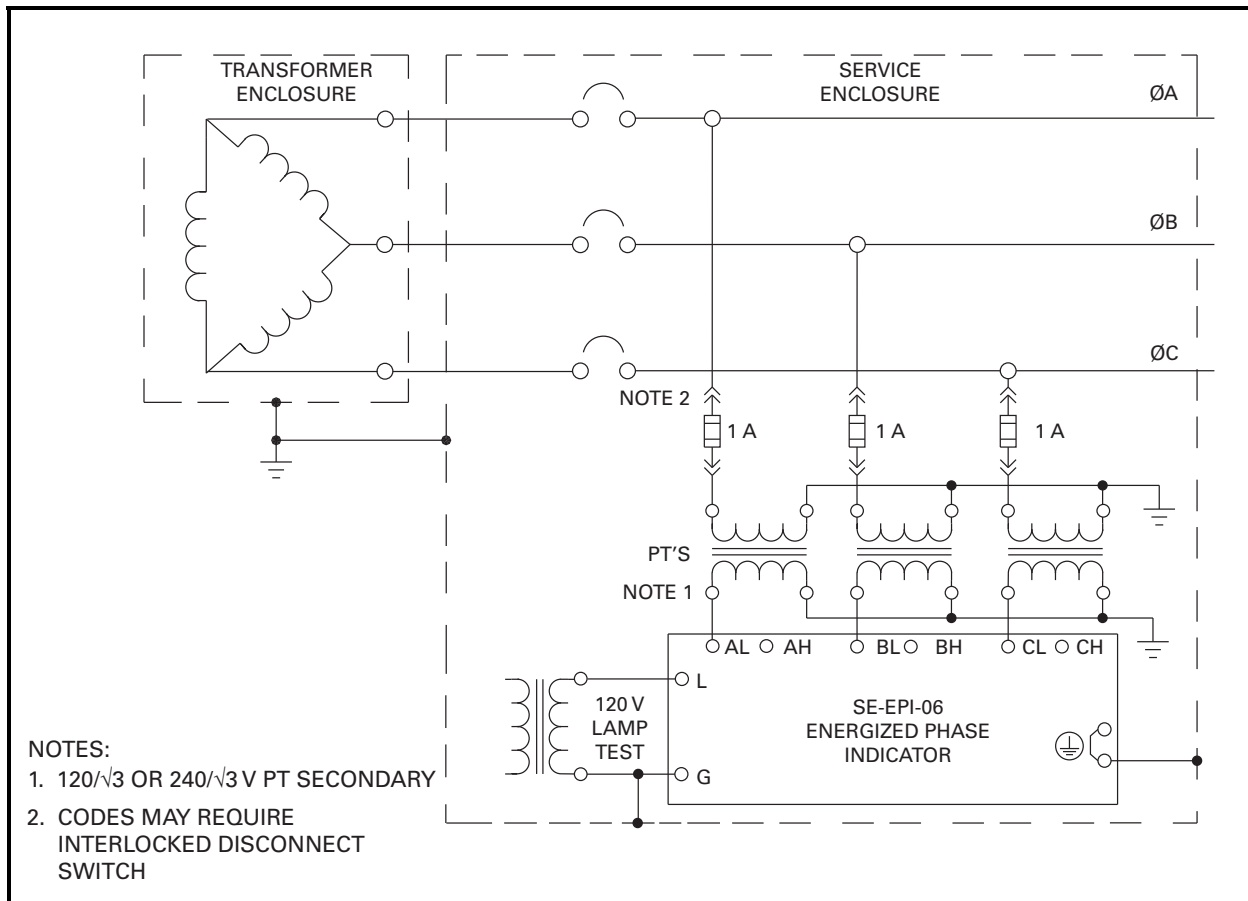


FIGURE 3. Connection Diagram for Ungrounded Systems above 600 V.

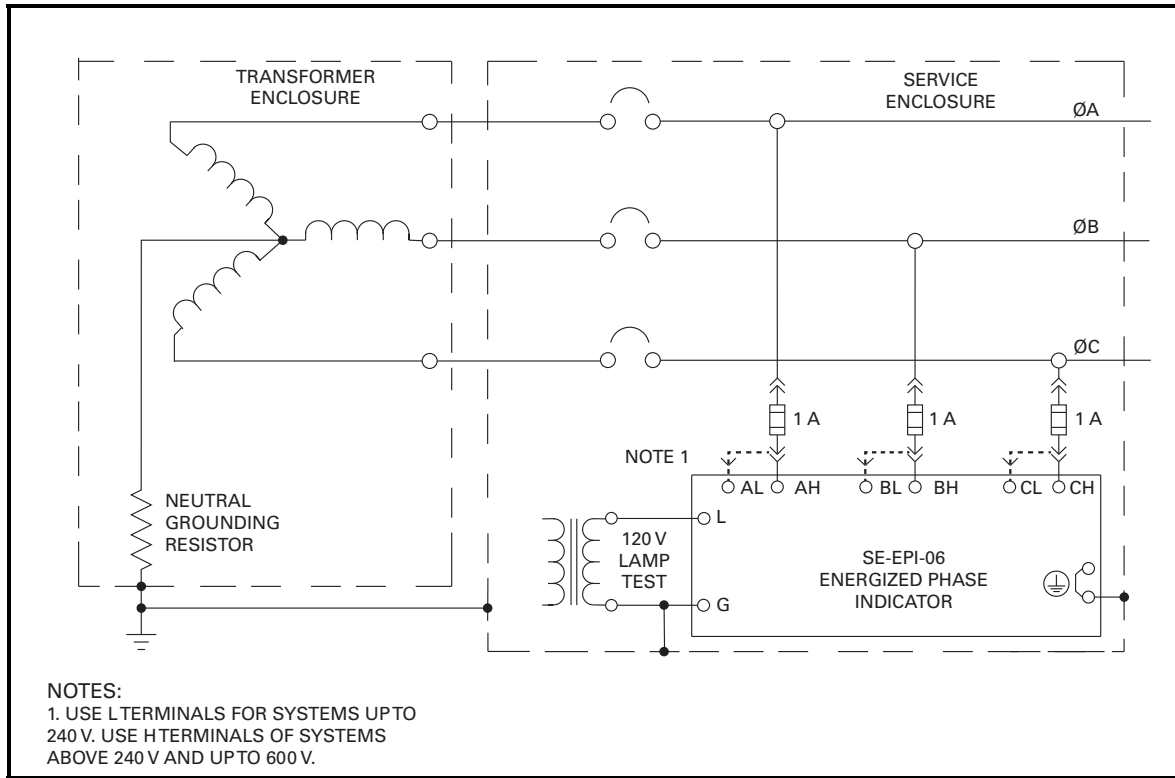


FIGURE 4. Connection Diagram for a Resistance-Grounded System up to 600 V.

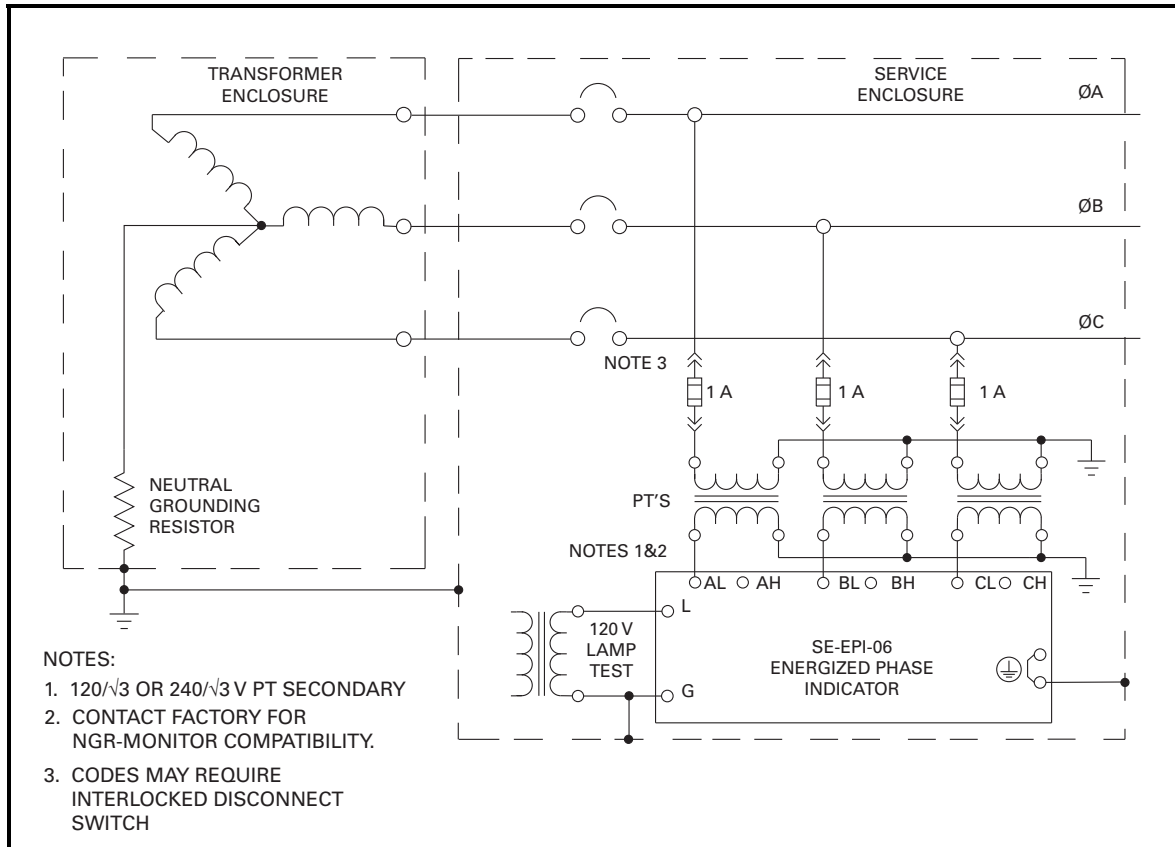


FIGURE 5. Connection Diagram for Resistance-Grounded Systems above 600 V.

#### 4. TECHNICAL SPECIFICATIONS

Phase Voltage

Input L, maximums ..... 240 Vac to ground,  
3.5 mA  
Input H, maximums..... 600 Vac to ground,  
4.5 mA

Lamp Test Input ..... Isolated 120 Vac,  
1 VA maximum

Dielectric Strength..... 2,200 Vac, 1 minute

Shipping Weight..... 0.3 kg (0.8 lb.)

Dimensions:

Height..... 108 mm (4.3")  
Weight..... 88.9 mm (3.5")  
Depth..... 54 mm (2.1")

Environment:

Operating Temperature..... -40 to 60°C  
Storage Temperature ..... -55 to 80°C  
Humidity ..... 85% Non-Condensing

PWB Conformal Coating ..... MIL-1-46058 qualified  
UL QMJU2 recognized

Certification..... CSA, Canada and USA



UL Listed



## X-ON Electronics

Largest Supplier of Electrical and Electronic Components

*Click to view similar products for [I/O Modules category](#):*

*Click to view products by [Littelfuse manufacturer](#):*

Other Similar products are found below :

[70L-IDC5S](#) [70L-OAC-L](#) [70Z3289-4](#) [G21960000700](#) [G21960002700](#) [G34960002700](#) [G88104401](#) [OACU](#) [C4SWOUT](#) [PB16H](#)  
[G34960001700](#) [G3TA-OA101SZ-1 DC24](#) [G77-S](#) [G78-16-E](#) [5607189](#) [DA5](#) [ODC-24A](#) [IDC5P](#) [FC6A-N16B1](#) [6421](#) [70MRCQ32-HL](#)  
[G3TAOD201SDC24](#) [C200H-LK201-V1](#) [G3TA-OA202SZ-US DC12](#) [GT1-OD16](#) [GT1-AD04CST](#) [GT1-DA04](#) [B7AM-6BS](#) [70GRCQ24-HS](#)  
[6422](#) [84110410](#) [GT1-OD16MX](#) [G7VC-OC16-B7](#) [70MRCK24-DIN](#) [6202](#) [6402](#) [PI/NI-2D/24](#) [FC6A-J2C1](#) [FC6A-KC1C](#) [FC6A-R081](#) [FC6A-](#)  
[J8CU1](#) [GP32900003700](#) [641-480-5022](#) [PB16H](#) [84145010](#) [84110210](#) [FRUSB1601](#) [PCL-720+-BE](#) [FRRJ451601](#) [AP24MX3DB25F](#)