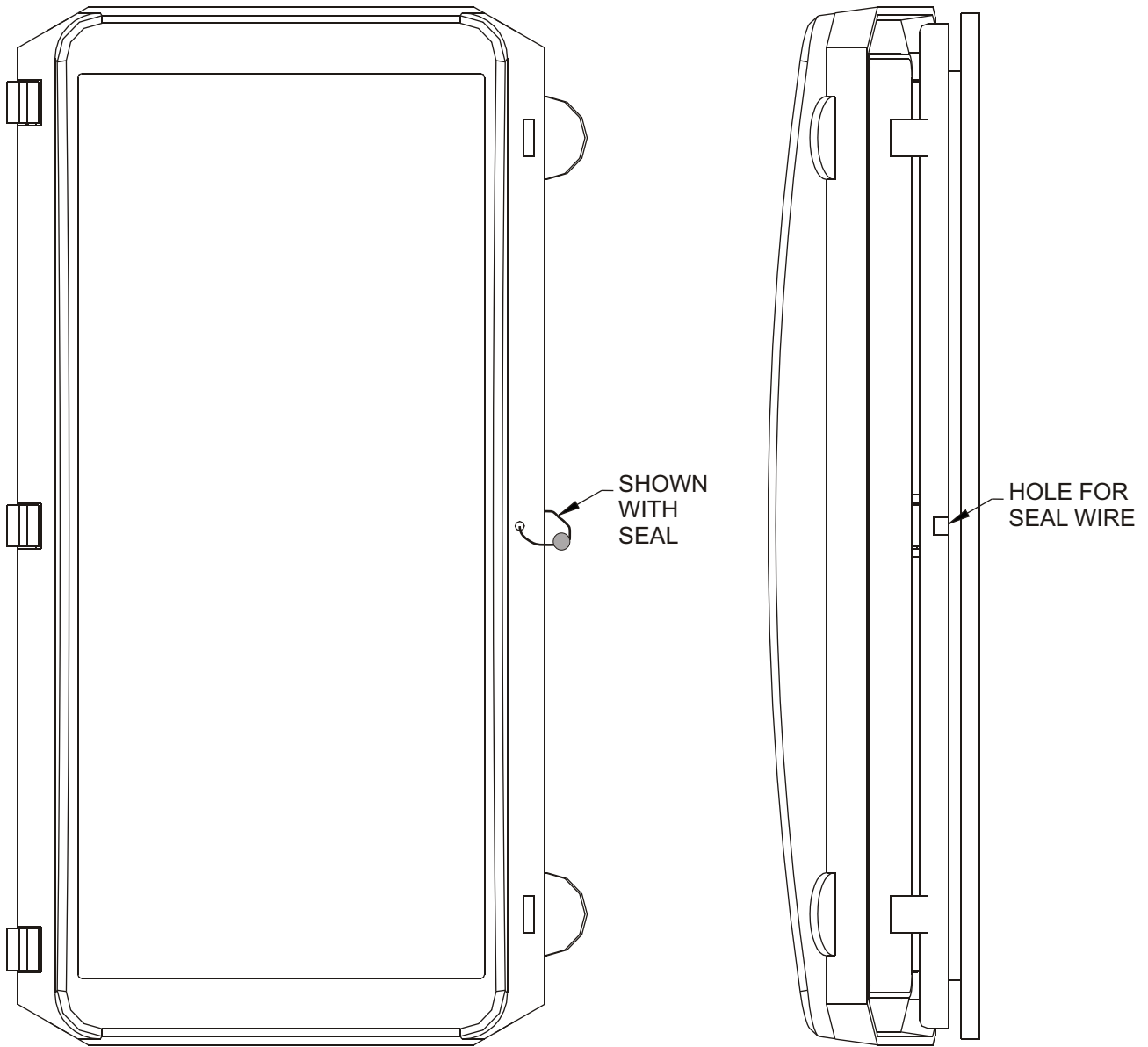


INSERT MONITOR/RELAY THROUGH OPENING OF THE WEATHERPROOF WINDOW, UNTIL IT IS SECURELY NESTED TO THE BACK OF THE DARK GREY PVC PANEL.

INSTALL O-RING INTO THE GROOVE IN THE REAR OF WEATHERPROOF WINDOW ASSEMBLY.

INSERT ASSEMBLY INTO PANEL AND FASTEN WITH THE HARDWARE PROVIDED WITH MONITOR/RELAY.

## SE-IP65CVR-G - SE-330/134/135/400 WEATHERPROOF COVER INSTALLATION INSTRUCTIONS



WEATHERPROOF COVER SNAPS CLOSED.

TO PREVENT UNAUTHORIZED ENTRY:

1. USE WIRE SEAL THROUGH HOLES IN WEATHERPROOF COVER ASSEMBLY, OR
2. SECURE WITH THE PLASTIC THREAD FORMING SCREW SUPPLIED IN KIT.

## X-ON Electronics

Largest Supplier of Electrical and Electronic Components

*Click to view similar products for [Relay Sockets & Fixings](#) category:*

*Click to view products by [Littelfuse](#) manufacturer:*

Other Similar products are found below :

[00008258500](#) [00111976502](#) [0000-825-81-00](#) [60SY4S05](#) [M41G](#) [670-0125](#) [670-0127](#) [6700152](#) [670-0153](#) [6700156](#) [D258-2TS00](#) [70-309](#) [7-1393143-3](#) [7-1616360-5](#) [8000-DG2-5](#) [911361](#) [9-1616339-5](#) [PJF11N](#) [GDA12HA](#) [GDA12HD](#) [GDA12SA](#) [GDA12SD](#) [GDA16HD](#) [GDA22HA](#) [GDA95A](#) [GDA95D](#) [GFX20](#) [PT08QN](#) [PT 1/8 D = 3.2](#) [GUA1](#) [GUA2-11](#) [GUA4-04](#) [GUA4-31](#) [GUM5R](#) [GUR-120](#) [GUR-24](#) [GUR-240](#) [GUR-277](#) [GURX-277](#) [GUW12](#) [GUW95](#) [GUZ63L](#) [R99-11 FOR MY\(NAMEPLATE\)](#) [D52PR2T](#) [RES100K](#) [1310H-HDC](#) [1390H-1ST](#) [1393824-3](#) [1390H-2PC](#) [1410-2SM](#)