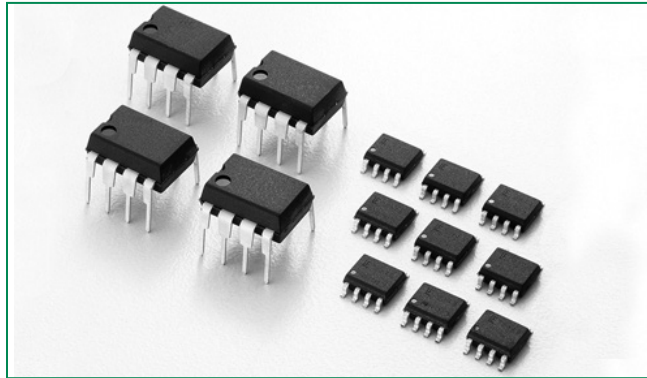
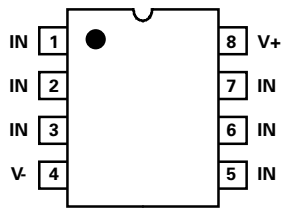


SP723 Series 5pF 8kV Diode Array

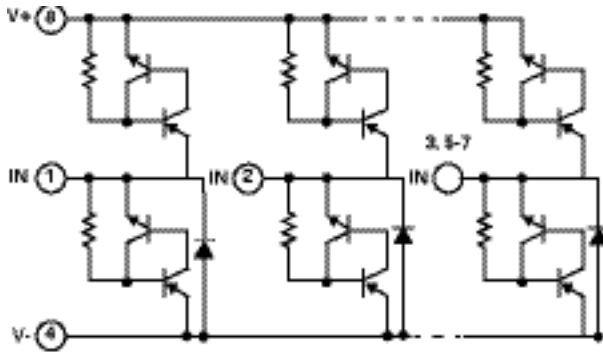


Pinout

SP723 (PDIP, SOIC)
 TOP VIEW



Functional Block Diagram



Additional Information



Description

The SP723 is an array of SCR/Diode bipolar structures for ESD and over-voltage protection of sensitive input circuits. The SP723 has 2 protection SCR/Diode device structures per input. There are a total of 6 available inputs that can be used to protect up to 6 external signal or bus lines. Over-voltage protection is from the IN (Pins 1 - 3 and Pins 5 - 7) to V+ or V-.

The SCR structures are designed for fast triggering at a threshold of one $+V_{BE}$ diode threshold above V+ (Pin 8) or a $-V_{BE}$ diode threshold below V- (Pin 4). From an IN input, a clamp to V+ is activated if a transient pulse causes the input to be increased to a voltage level greater than one V_{BE} above V+. A similar clamp to V- is activated if a negative pulse, one V_{BE} less than V-, is applied to an IN input.

Refer to Fig 1 and Table 1 for further details. Refer to Application Note AN9304 and AN9612 for further detail.

Features

- ESD Interface per HBM Standards
 - IEC 61000-4-2, Direct Discharge 8kV (Level 4)
 - IEC 61000-4-2, Air Discharge 15kV (Level 4)
 - MIL-STD-3015.7 25kV
- Peak Current Capability
 - IEC 61000-4-5 8/20 μ s Peak Pulse Current $\pm 7A$
 - Single Transient Pulse, 100 μ s Pulse Width $\pm 4A$
- Designed to Provide Over-Voltage Protection
 - Single-Ended Voltage Range to +30V
 - Differential Voltage Range to $\pm 15V$
- Fast Switching 2ns Risetime
- Low Input Leakages 2nA at 25°C Typical
- Low Input Capacitance 5pF Typical
- An Array of 6 SCR/Diode Pairs
- Operating Temperature Range -40°C to 105°C

Applications

- Microprocessor/Logic Input Protection
- Analog Device Input Protection
- Data Bus Protection
- Voltage Clamp

Life Support Note:

Not Intended for Use in Life Support or Life Saving Applications

The products shown herein are not designed for use in life sustaining or life saving applications unless otherwise expressly indicated.

Absolute Maximum Ratings

| Parameter | Rating | Units |
|--|-----------------------|-------|
| Continuous Supply Voltage, (V+) - (V-) | +35 | V |
| Forward Peak Current, I_{IN} to V_{CC} , I_{IN} to GND (Refer to Figure 5) | ± 4 , 100 μ s | A |
| Peak Pulse Current, 8/20 μ s | ± 7 | A |

CAUTION: Stresses above those listed in "Absolute Maximum Ratings" may cause permanent damage to the device. This is a stress only rating and operation of the device at these or any other conditions above those indicated in the operational sections of this specification is not implied.

Note:

ESD Ratings and Capability (Figure 1, Table 1)

Load Dump and Reverse Battery (Note 2)

Thermal Information

| Parameter | Rating | Units |
|---|---------------|----------------|
| Thermal Resistance (Typical, Note 1) | θ_{JA} | $^{\circ}$ C/W |
| PDIP Package | 160 | $^{\circ}$ C/W |
| SOIC Package | 170 | $^{\circ}$ C/W |
| Storage Temperature Range | -65 to 150 | $^{\circ}$ C |
| Maximum Junction Temperature (Plastic Package) | 150 | $^{\circ}$ C |
| Lead Temperature (Soldering 20-40s) (SOIC Lead Tips Only) | 260 | $^{\circ}$ C |

1. θ_{JA} is measured with the component mounted on an evaluation PC board in free air.

Electrical Characteristics $T_A = -40^{\circ}$ C to 105° C, $V_{IN} = 0.5V_{CC}$, Unless Otherwise Specified

| Parameter | Symbol | Test Conditions | Min | Typ | Max | Units |
|---|-----------------|----------------------------|-----|---------|-----|----------|
| Operating Voltage Range, $V_{SUPPLY} = [(V+) - (V-)]$ | V_{SUPPLY} | | - | 2 to 30 | - | V |
| Forward Voltage Drop | | | | | | |
| IN to V- | V_{FWDL} | $I_{IN} = 2A$ (Peak Pulse) | - | 2 | - | V |
| IN to V+ | V_{FWDH} | | - | 2 | - | V |
| Input Leakage Current | I_{IN} | | -20 | 5 | 20 | nA |
| Quiescent Supply Current | $I_{QUIESCENT}$ | | - | 50 | 200 | nA |
| Equivalent SCR ON Threshold | | Note 3 | - | 1.1 | - | V |
| Equivalent SCR ON Resistance | | V_{FWD}/I_{FWD} ; Note 3 | - | 0.5 | - | Ω |
| Input Capacitance | C_{IN} | | - | 5 | - | PF |
| Input Switching Speed | t_{ON} | | - | 2 | - | ns |

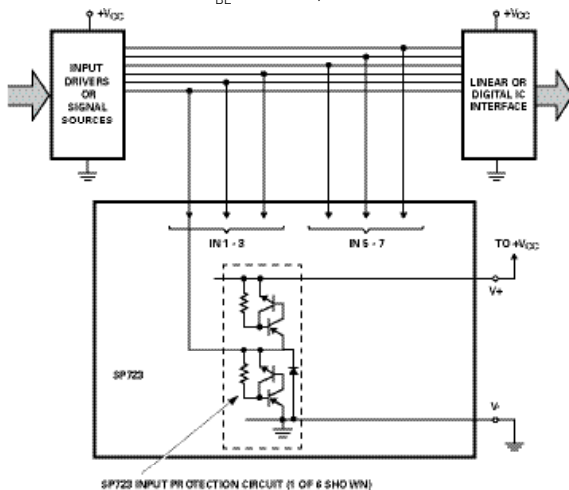
Notes:

2. In automotive and battery operated systems, the power supply lines should be externally protected for load dump and reverse battery. When the V+ and V- Pins are connected to the same supply voltage source as the device or control line under protection, a current limiting resistor should be connected in series between the external supply and the SP723 supply pins to limit reverse battery current to within the rated maximum limits. Bypass capacitors of typically 0.01 μ F or larger from the V+ and V- Pins to ground are recommended.

3. Refer to the Figure 3 graph for determine peak current and dissipation under EOS conditions.

Typical Application of the SP723

(Application as an Input Clamp for Over-voltage, Greater than $1V_{BE}$ Above V+ or less than $-1V_{BE}$ below V-)



ESD Capability

ESD capability is dependent on the application and defined test standard. The evaluation results for various test standards and methods based on Figure 1 are shown in Table 1.

The SP723 has a Level 4 HBM capability when tested as a device to the IEC 61000-4-2 standard. Level 4 specifies a required capability greater than 8kV for direct discharge and greater than 15kV for air discharge.

For the "Modified" MIL-STD-3015.7 condition that is defined as an "in-circuit" method of ESD testing, the V+ and V- pins have a return path to ground and the SP723 ESD capability is typically greater than 25kV from 100pF through 1.5kΩ. By strict definition of MIL-STD-3015.7 using "pin-to-pin" device testing, the ESD voltage capability is greater than 10kV.

For the SP723 EIAJ IC121 Machine Model (MM) standard, the ESD capability is typically greater than 2kV from 200pF with no series resistance.

Figure 1: Electrostatic Discharge Test

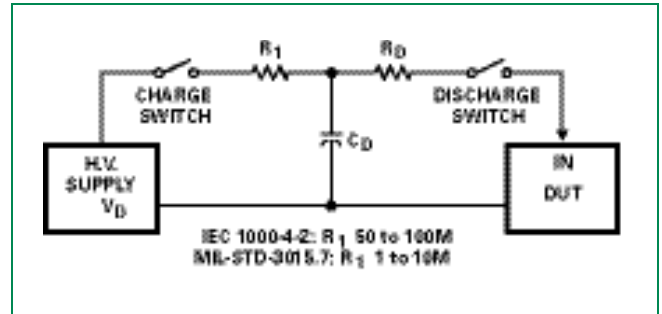


Table 1: ESD Test Conditions

| Standard | Type/Mode | R _D | C _D | ±V _D |
|------------------------|-----------------------|----------------|----------------|-----------------|
| IEC 1000-4-2 (Level 4) | HBM, Air Discharge | 330 Ω | 150pF | 15kV |
| | HBM, Direct Discharge | 330 Ω | 150pF | 8kV |
| MIL-STD-3015.7 | Modified HBM | 1.5k Ω | 100pF | 25kV |
| | Standard HBM | 1.5k Ω | 100pF | 10kV |
| EIAJ IC121 | Machine Model | 0k Ω | 200pF | 2kV |
| EIAJ IC121 | Machine Model | 0kΩ | 200pF | 1kV |

Figure 2: Low Current SCR Forward Voltage Drop Curve

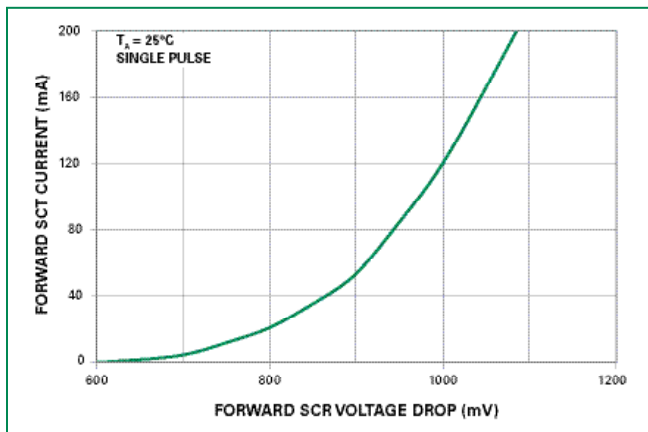
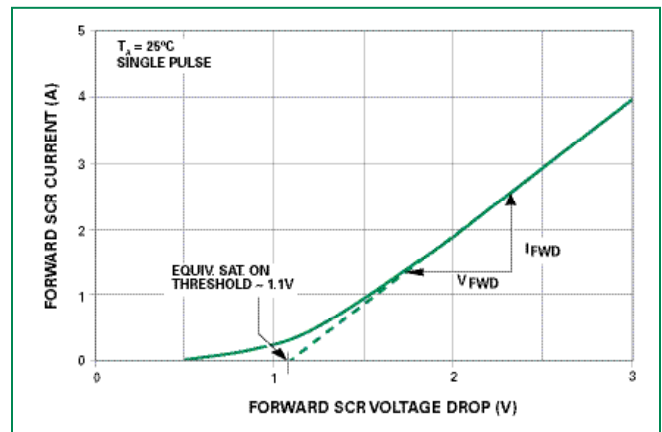


Figure 3: High Current SCR Forward Voltage Drop Curve



Peak Transient Current Capability of the SP723

The peak transient current capability rises sharply as the width of the current pulse narrows. Destructive testing was done to fully evaluate the SP723's ability to withstand a wide range of peak current pulses vs time. The circuit used to generate current pulses is shown in Figure 4.

The test circuit of Figure 4 is shown with a positive pulse input. For a negative pulse input, the (-) current pulse input goes to an SP723 'IN' input pin and the (+) current pulse input goes to the SP723 V- pin. The V+ to V- supply of the SP723 must be allowed to float. (i.e., It is not tied to the ground reference of the current pulse generator.) Figure 5 shows the point of overstress as defined by increased leakage in excess of the data sheet published limits.

The maximum peak input current capability is dependent on the ambient temperature, improving as the temperature is reduced. Peak current curves are shown for ambient temperatures of 25°C and 105°C and a 15V power supply condition. The safe operating range of the transient peak current should be limited to no more than 75% of the measured overstress level for any given pulse width as shown in the curves of Figure 5.

Note that adjacent input pins of the SP723 may be paralleled to improve current (and ESD) capability. The sustained peak current capability is increased to nearly twice that of a single pin.

Figure 4: Typical SP723 Peak Current Test Circuit with a Variable Pulse Width Input

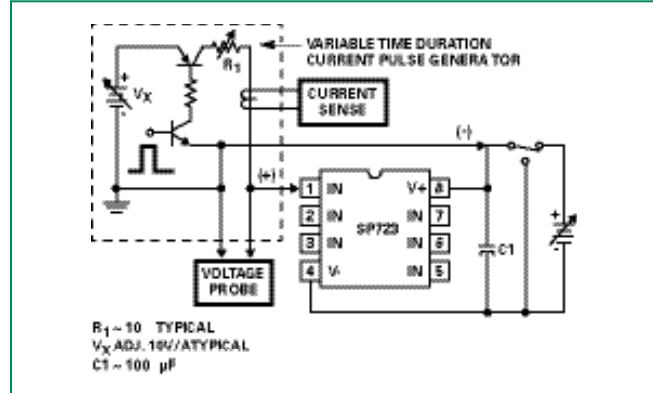
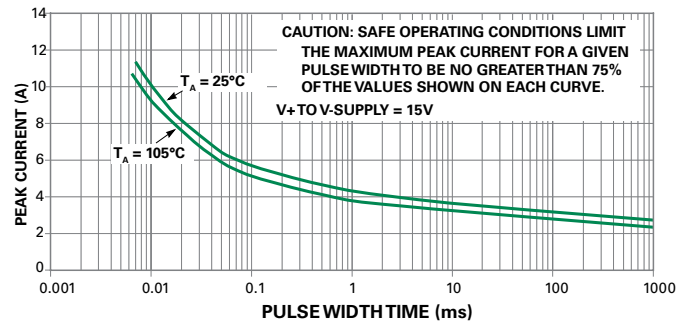


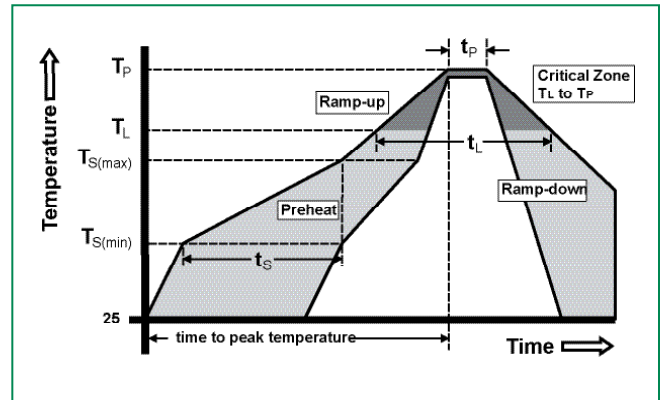
Figure 5: SP723 Typical Single Peak Current Pulse Capability

Showing the Measured Point of Overstress in Amperes vs pulse width time in milliseconds

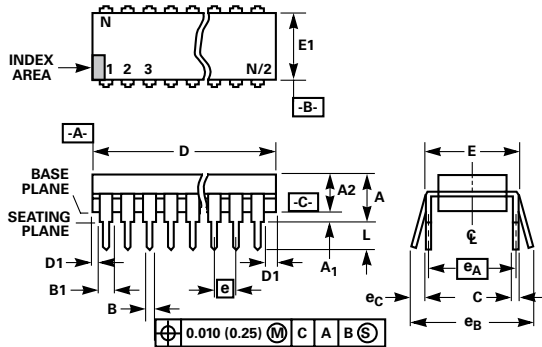


Soldering Parameters

| | | |
|--|------------------------------------|-------------------------|
| Reflow Condition | | Pb – Free assembly |
| Pre Heat | - Temperature Min ($T_{s(min)}$) | 150°C |
| | - Temperature Max ($T_{s(max)}$) | 200°C |
| | - Time (min to max) (t_s) | 60 – 180 secs |
| Average ramp up rate (Liquidus) Temp (T_L) to peak | | 5°C/second max |
| $T_{s(max)}$ to T_L - Ramp-up Rate | | 5°C/second max |
| Reflow | - Temperature (T_L) (Liquidus) | 217°C |
| | - Temperature (t_l) | 60 – 150 seconds |
| Peak Temperature (T_p) | | 260 ^{+0/-5} °C |
| Time within 5°C of actual peak Temperature (t_p) | | 20 – 40 seconds |
| Ramp-down Rate | | 5°C/second max |
| Time 25°C to peak Temperature (T_p) | | 8 minutes Max. |
| Do not exceed | | 260°C |



Package Dimensions – Dual-In-Line Plastic Packages (PDIP)

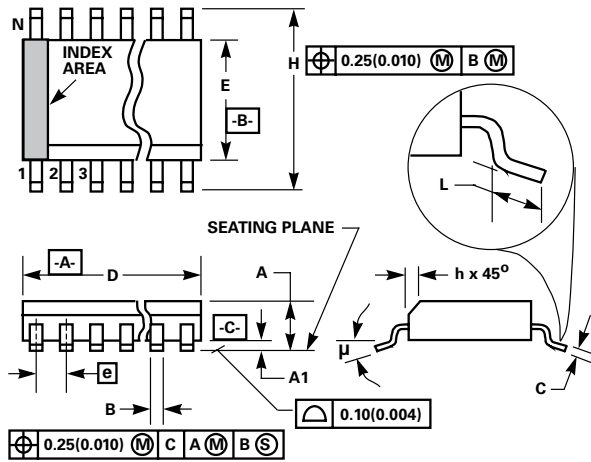


Notes:

- Controlling Dimensions: INCH. In case of conflict between English and Metric dimensions, the inch dimensions control.
- Dimensioning and tolerancing per ANSI Y14.5M-1982.
- Symbols are defined in the "MO Series Symbol List" in Section 2.2 of Publication No. 95.
- Dimensions A, A1 and L are measured with the package seated in JEDEC seating plane gauge GS-3.
- D, D1, and E1 dimensions do not include mold flash or protrusions. Mold flash or protrusions shall not exceed 0.010 inch (0.25mm).
- E and e_A are measured with the leads unconstrained to be perpendicular to datum C .
- e_B and e_C are measured at the lead tips with the leads unconstrained. e_C must be zero or greater.
- B1 maximum dimensions do not include dambar protrusions. Dambar protrusions shall not exceed 0.010 inch (0.25mm).
- N is the maximum number of terminal positions.
- Corner leads (1, N, N/2 and N/2 + 1) for E8.3, E16.3, E18.3, E28.3, E42.6 will have a B1 dimension of 0.030 - 0.045 inch (0.76 - 1.14mm).

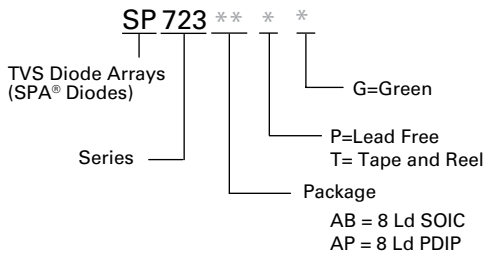
| Package | PDIP | | | | Notes |
|---------|-------------|-------|-----------|-------|-------|
| Pins | 8 | | | | |
| JEDEC | MS-001 | | | | |
| | Millimeters | | Inches | | |
| | Min | Max | Min | Max | |
| A | - | 5.33 | - | 0.210 | 4 |
| A1 | 0.39 | - | 0.015 | - | 4 |
| A2 | 2.93 | 4.95 | 0.115 | 0.195 | - |
| B | 0.356 | 0.558 | 0.014 | 0.022 | - |
| B1 | 1.15 | 1.77 | 0.045 | 0.070 | 8, 10 |
| C | 0.204 | 0.355 | 0.008 | 0.014 | - |
| D | 9.01 | 10.16 | 0.355 | 0.400 | 5 |
| D1 | 0.13 | - | 0.005 | - | 5 |
| E | 7.62 | 8.25 | 0.300 | 0.325 | 6 |
| E1 | 6.1 | 7.11 | 0.240 | 0.280 | 5 |
| e | 2.54 BSC | | 0.100 BSC | | - |
| e_A | 7.62 BSC | | 0.300 BSC | | 6 |
| e_B | - | 10.92 | - | 0.430 | 7 |
| L | 2.93 | 3.81 | 0.115 | 0.150 | 4 |
| N | 8 | | 8 | | 9 |

Package Dimensions – Small Outline Plastic Packages (SOIC)



- Notes:
- Symbols are defined in the "MO Series Symbol List" in Section 2.2 of Publication Number 95.
 - Dimensioning and tolerancing per ANSI Y14.5M-1982.
 - Dimension "D" does not include mold flash, protrusions or gate burrs. Mold flash, protrusion and gate burrs shall not exceed 0.15mm (0.006 inch) per side.
 - Dimension "E" does not include interlead flash or protrusions. Inter-lead flash and protrusions shall not exceed 0.25mm (0.010 inch) per side.
 - The chamfer on the body is optional. If it is not present, a visual index feature must be located within the crosshatched area.
 - "L" is the length of terminal for soldering to a substrate.
 - "N" is the number of terminal positions.
 - Terminal numbers are shown for reference only.
 - The eadl width "B" as measured 0.36mm (0.014 inch) or greater above the seating plane, shall not exceed a maximum value of 0.61mm (0.024 inch).
 - Controlling dimension:MILLIMETER. Converted inch dimensions are not necessarily exact.

Part Numbering System



Ordering Information

| Part Number | Temp. Range (°C) | Package | Environmental Informaton | Marking | Min. Order |
|-------------|------------------|-------------------------|--------------------------|-------------------------|------------|
| SP723APP | -40 to 105 | 8 Ld PDIP | Lead-free | SP723AP(P) ¹ | 2000 |
| SP723ABG | -40 to 105 | 8 Ld SOIC | Green | SP723A(B)G ² | 1960 |
| SP723ABTG | -40 to 105 | 8 Ld SOIC Tape and Reel | Green | SP723A(B)G ² | 2500 |

- Notes:
- SP723AP(P) means device marking either SP723AP or SP723APP
 - SP723A(B)G means device marking either SP723AG or SP723ABG which are good for types SP723ABG and SP723ABTG.

| Package | SOIC | | | | Notes |
|---------|-------------|------|-----------|--------|-------|
| Pins | 8 | | | | |
| JEDEC | MS-012 | | | | |
| | Millimeters | | Inches | | |
| | Min | Max | Min | Max | |
| A | 1.35 | 1.75 | 0.0532 | 0.0688 | - |
| A1 | 0.10 | 0.25 | 0.0040 | 0.0098 | - |
| B | 0.33 | 0.51 | 0.013 | 0.020 | 9 |
| C | 0.19 | 0.25 | 0.0075 | 0.0098 | - |
| D | 4.80 | 5.00 | 0.1890 | 0.1968 | 3 |
| E | 3.80 | 4.00 | 0.1497 | 0.1574 | 4 |
| e | 1.27 BSC | | 0.050 BSC | | - |
| H | 5.80 | 6.20 | 0.2284 | 0.2440 | - |
| h | 0.25 | 0.50 | 0.0099 | 0.0196 | 5 |
| L | 0.40 | 1.27 | 0.016 | 0.050 | 6 |
| N | 8 | | 8 | | 7 |
| μ | 0° | 8° | 0° | 8° | - |

Product Characteristics

| | |
|----------------------------|------------------------|
| Lead Plating | Matte Tin |
| Lead Material | Copper Alloy |
| Lead Coplanarity | 0.004 inches (0.102mm) |
| Substitute Material | Silicon |
| Body Material | Molded Epoxy |
| Flammability | UL 94 V-0 |

Disclaimer Notice - Information furnished is believed to be accurate and reliable. However, users should independently evaluate the suitability of and test each product selected for their own applications. Littelfuse products are not designed for, and may not be used in, all applications. Read complete Disclaimer Notice at www.littelfuse.com/disclaimer-electronics.

X-ON Electronics

Largest Supplier of Electrical and Electronic Components

Click to view similar products for [ESD Suppressors / TVS Diodes](#) category:

Click to view products by [Littelfuse](#) manufacturer:

Other Similar products are found below :

[60KS200C](#) [D12V0H1U2WS-7](#) [D18V0L1B2LP-7B](#) [82356050220](#) [D5V0M5U6V-7](#) [NTE4902](#) [P4KE27CA](#) [P6KE11CA](#) [P6KE39CA-TP](#)
[P6KE8.2A](#) [SA110CA](#) [SA60CA](#) [SA64CA](#) [SMBJ12CATR](#) [SMBJ8.0A](#) [SMLJ30CA-TP](#) [ESD101-B1-02ELS E6327](#) [ESD112-B1-02EL E6327](#)
[ESD119B1W01005E6327XTSA1](#) [ESD5V0J4-TP](#) [ESD5V0L1B02VH6327XTSA1](#) [ESD7451N2T5G](#) [19180-510](#) [CPDT-5V0USP-HF](#)
[3.0SMCJ33CA-F](#) [3.0SMCJ36A-F](#) [HSPC16701B02TP](#) [D3V3Q1B2DLP3-7](#) [D55V0M1B2WS-7](#) [DESD5V0U1BL-7B](#) [DRTR5V0U4SL-7](#)
[SCM1293A-04SO](#) [ESD200-B1-CSP0201 E6327](#) [ESD203-B1-02EL E6327](#) [SM12-7](#) [SMF8.0A-TP](#) [SMLJ45CA-TP](#) [CEN955 W/DATA](#)
[82350120560](#) [82356240030](#) [VESD12A1A-HD1-GS08](#) [CPDUR5V0R-HF](#) [CPDUR24V-HF](#) [CPDQC5V0U-HF](#) [CPDQC5V0USP-HF](#)
[CPDQC5V0-HF](#) [D1213A-01LP4-7B](#) [D1213A-02WL-7](#) [ESDLIN1524BJ-HQ](#) [5KP100A](#)