

# 75 VA Transformer

## HCT Series



### Specifications

#### Wire Size

All leads are 18 AWG stranded  
2/64" insulation thickness

#### Quick Connect Size

Standard male quick connect terminals  
are .250" x .032"

#### Frequency

50/60 Hz

#### Insulation System

130°C Class B

#### Unit Weight

75 VA 40 oz

Transformers change one AC voltage to another by magnetic induction. Hartland Controls produces transformers with primary and secondary voltage up to 250 VA. Our heavy-duty transformers are used in a variety of applications, including HVAC, water pumps, pool and spa, food service and electronics. We carry extensive inventory to meet delivery schedules.

## Features

- UL/CUL recognized 5085—File No. E223730
- Non-inherently limited
- Secondary fusing required
- Multiple mounting and termination options available, contact us for more information.

We can custom engineer a solution  
to meet any need. Just ask.

815.626.5170 | [HartlandControls.com](https://www.hartlandcontrols.com)

# 75 VA Transformer

## HCT Series

Color	Black	White	Red	Orange	Brown	Black/Red	Grey
Lead Length	12"	12"	12"	12"	12"	12"	12"
Strip Length	1/2"	1/2"	1/2"	1/2"	1/2"	1/2"	1/2"

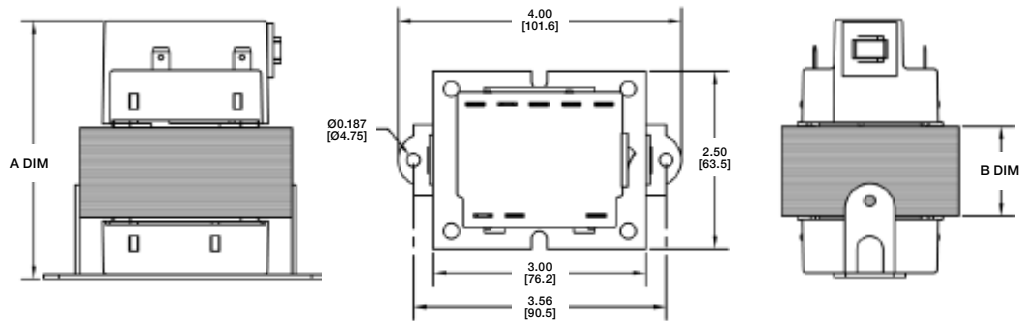
Color	Blue	Yellow
Lead Length	12"	12"
Strip Length	1/2"	1/2"

### Dimensions (inches [mm])

#### Quick Connect Models

<b>A DIM</b>	3.30	3.45
<b>B DIM</b>	1.00	1.15

J resembles circuit breaker and  
H resembles internal fuse



*Multiple mounting and termination options available, contact us for more information.*

## **X-ON Electronics**

Largest Supplier of Electrical and Electronic Components

*Click to view similar products for [Power Transformers](#) category:*

*Click to view products by [Littelfuse](#) manufacturer:*

Other Similar products are found below :

[ET-030A](#) [F-102X](#) [F-120X](#) [F-14X-1](#) [F-181U](#) [F-18A](#) [F-199U](#) [F-19X](#) [F-202U](#) [F-204U](#) [F-206U](#) [F-227X](#) [F-238U](#) [F-239U-1](#) [F-23U](#) [F24-250-B](#)  
[F-242U](#) [F-245U](#) [F-264U](#) [F-265U](#) [F-267U](#) [F-281U](#) [F-283U](#) [F-290X](#) [F-295Z](#) [F-296Z](#) [F-298Z](#) [F-3143P](#) [F-3298Z](#) [F-33U](#) [F-346X](#) [F-35U](#) [F-](#)  
[364U](#) [F-392A](#) [F-395X](#) [F-397U](#) [F-412X](#) [F-47U](#) [F-55X-1](#) [F-60U](#) [F-68U](#) [F-71U](#) [F-72Z](#) [F-74U](#) [F-83A](#) [F-84AC](#) [F-85U](#) [F-86U](#) [F-9U](#) [PCT-02](#)