

VC1902-PA-VIVA1596  
VC1802-PA-VIVA1596



## Xilinx Power Test Adaptor (PTA) - to test power delivery network to Versal ACAP VIVA1596 series FPGA's

ProGrAnalog Corp.  
08/18/2023  
Rev3.2

### Features

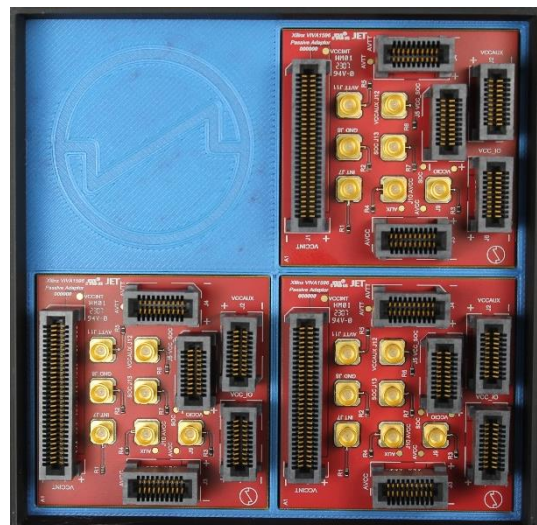
- Set of 3 Xilinx Power Test Adaptors (PTA) for PDN testing AMD Xilinx Versal ACAP AI VIVA1596 series FPGAs
- Options available for VC1902, VC1802.
- 6 Samtec connectors to slam: VCCINT, VCC\_IO, VCC\_SOC, VGTY\_AVTT, VCCAUX, AVCC
- 8 SMP connectors for testing: VCCINT\_SENSE, GND\_SENSE, GND, VCC\_IO, VCC\_SOC, VGTY\_AVTT, VCCAUX, AVCC
- PTA with BGA footprint reflows onto VIVA1596 PCB pads.
- Remote Vsense on Samtec connectors and SMP mini connectors.
- Most rails can be tested with an LSP200 controller.
- VCCINT >100A support with an LSP1000RS controller.
- GUI supports transient, pulse train, impedance and 3D plots.

### Typical Test Setup

- Xilinx PTA reflowed onto the test board.
- LSP1000RS connected into VCCINT connector.



Pack of 3 -VIVA1596 Series Xilinx PTA's



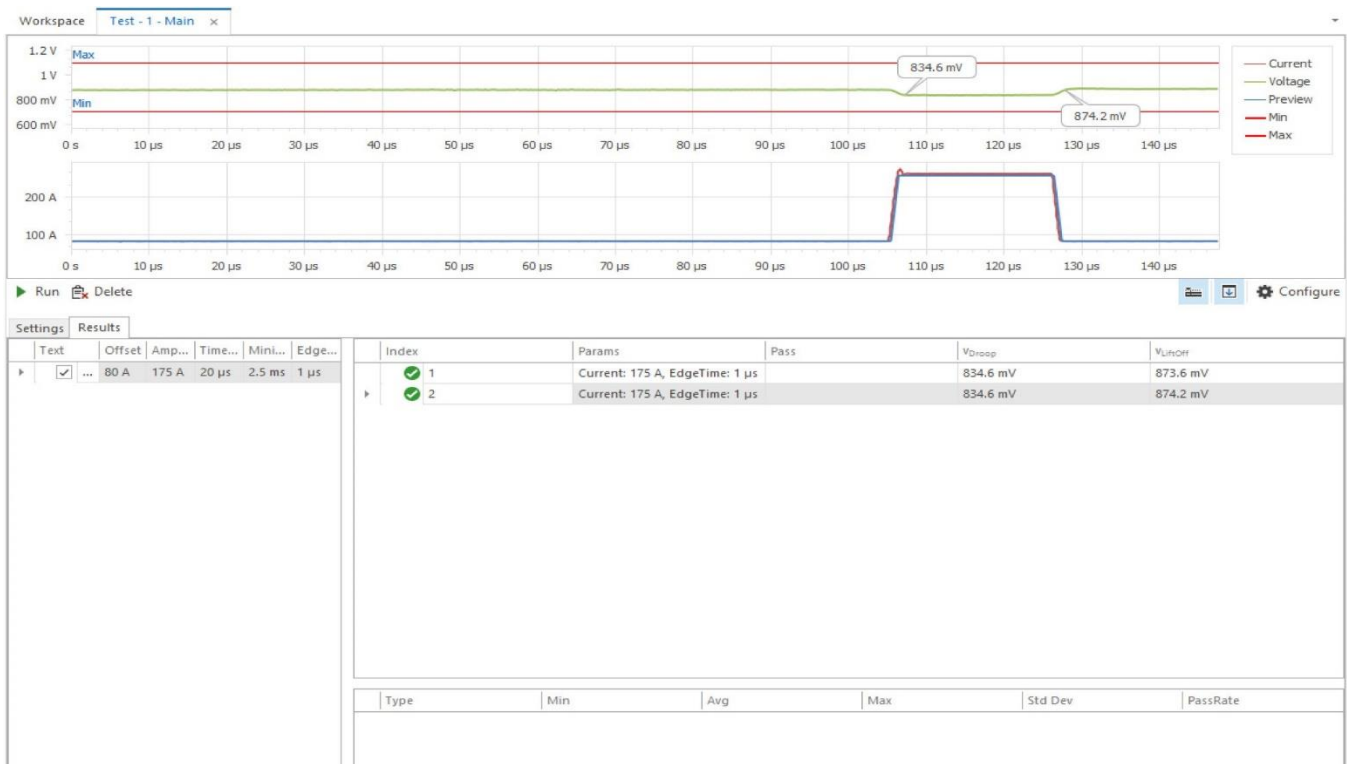
# LoadSlammer GUI

Workspace **Test - 1** x

Available Tests Name: Test - 1    Rail: None

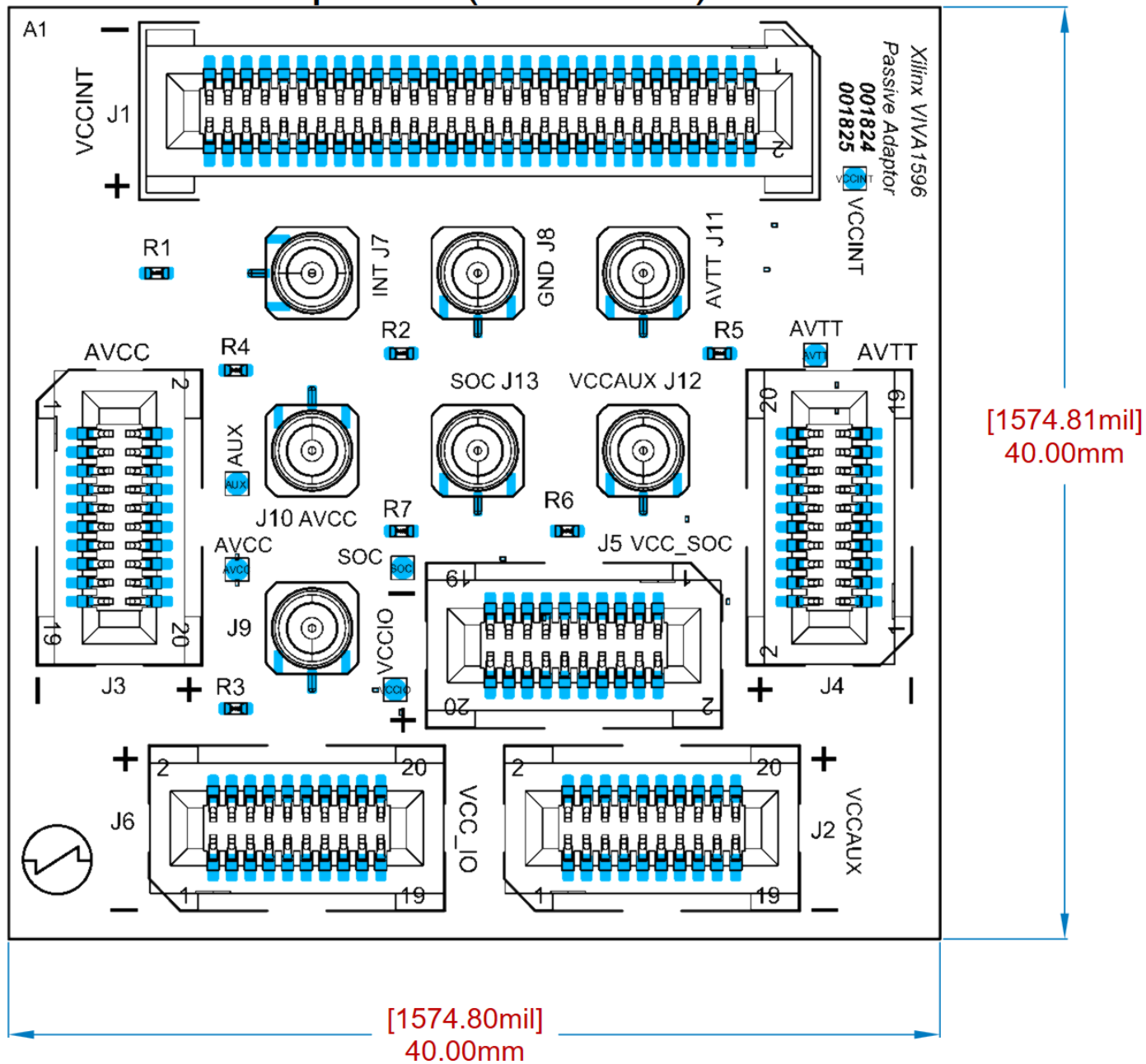
- Transient Test**  
Transient load step with adjustable rise times, current, and pulse width.
- Pulse Train**  
Repeating load steps with a configurable frequency and duty cycle.
- Impedance (Z)**  
Large signal output impedance with adjustable current amplitude and offset.
- DC Load**  
DC Load with timer.
- Delay**  
Timed delay.

## Transient test

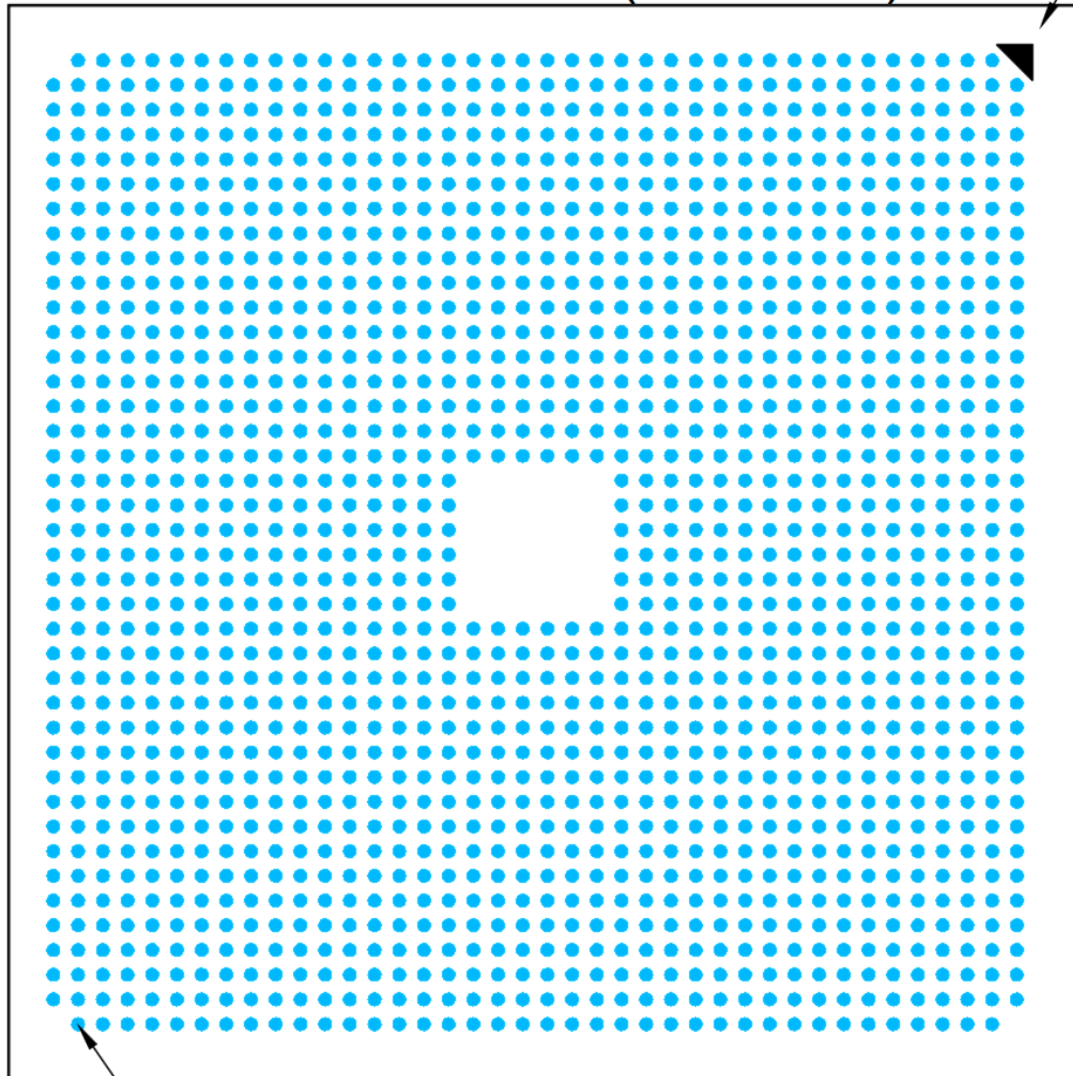


## Mechanical Specs

### View from Top side (Scale 3:1)



## View from Bottom side (Scale 3:1)



Pin 1 I.D.

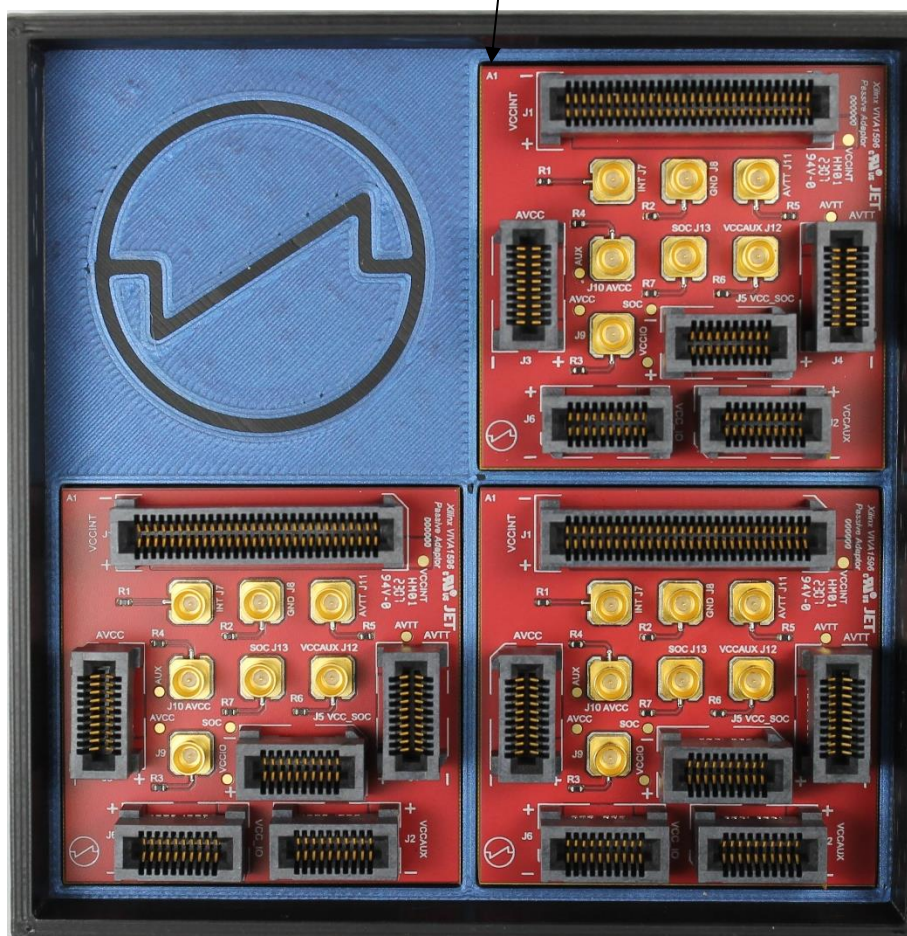
0.92mm BGA Pitch

**Sn96.5-Ag3.0-Cu0.5 0.5mm balls**

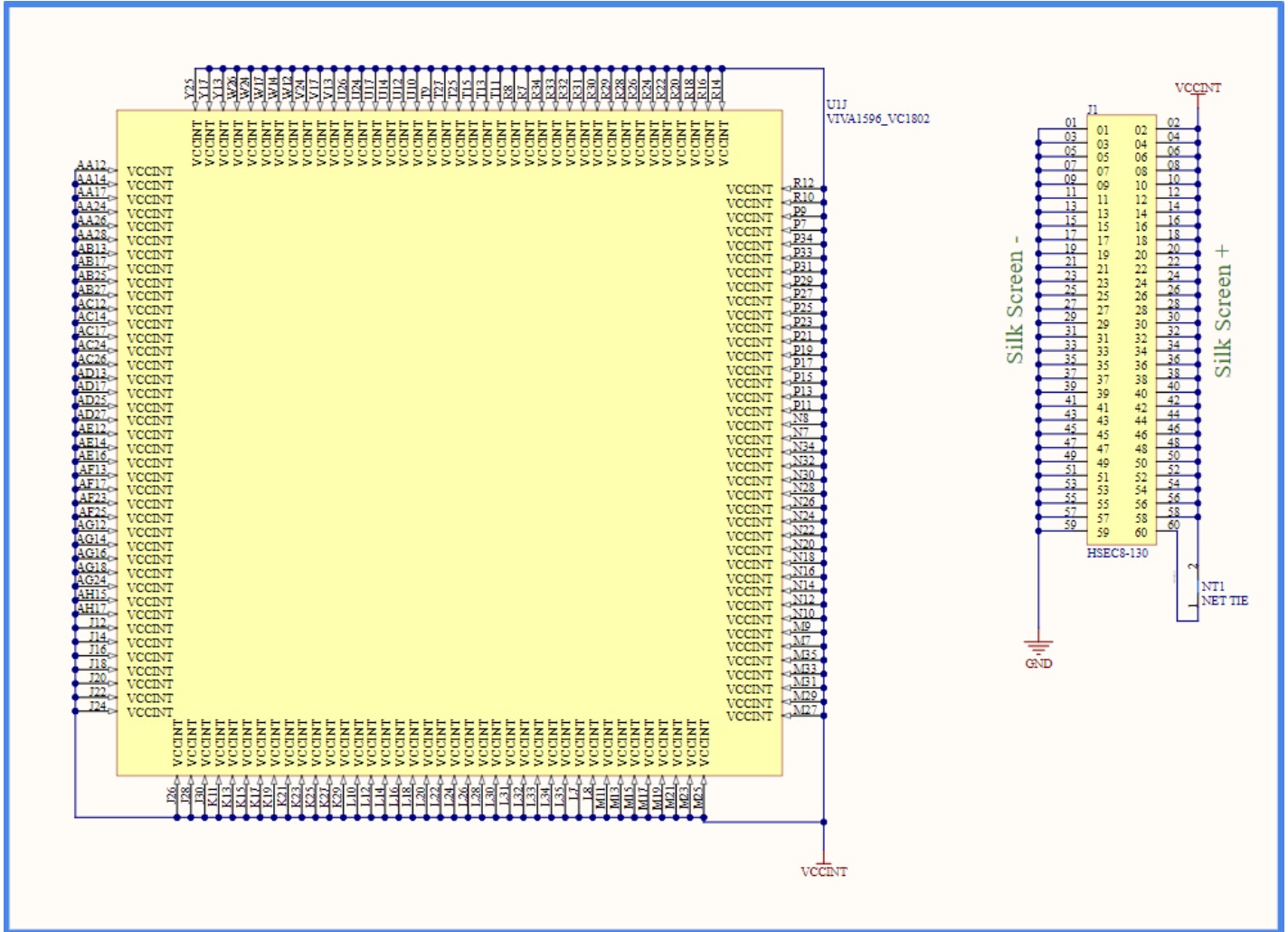
## Packing Tray Specs

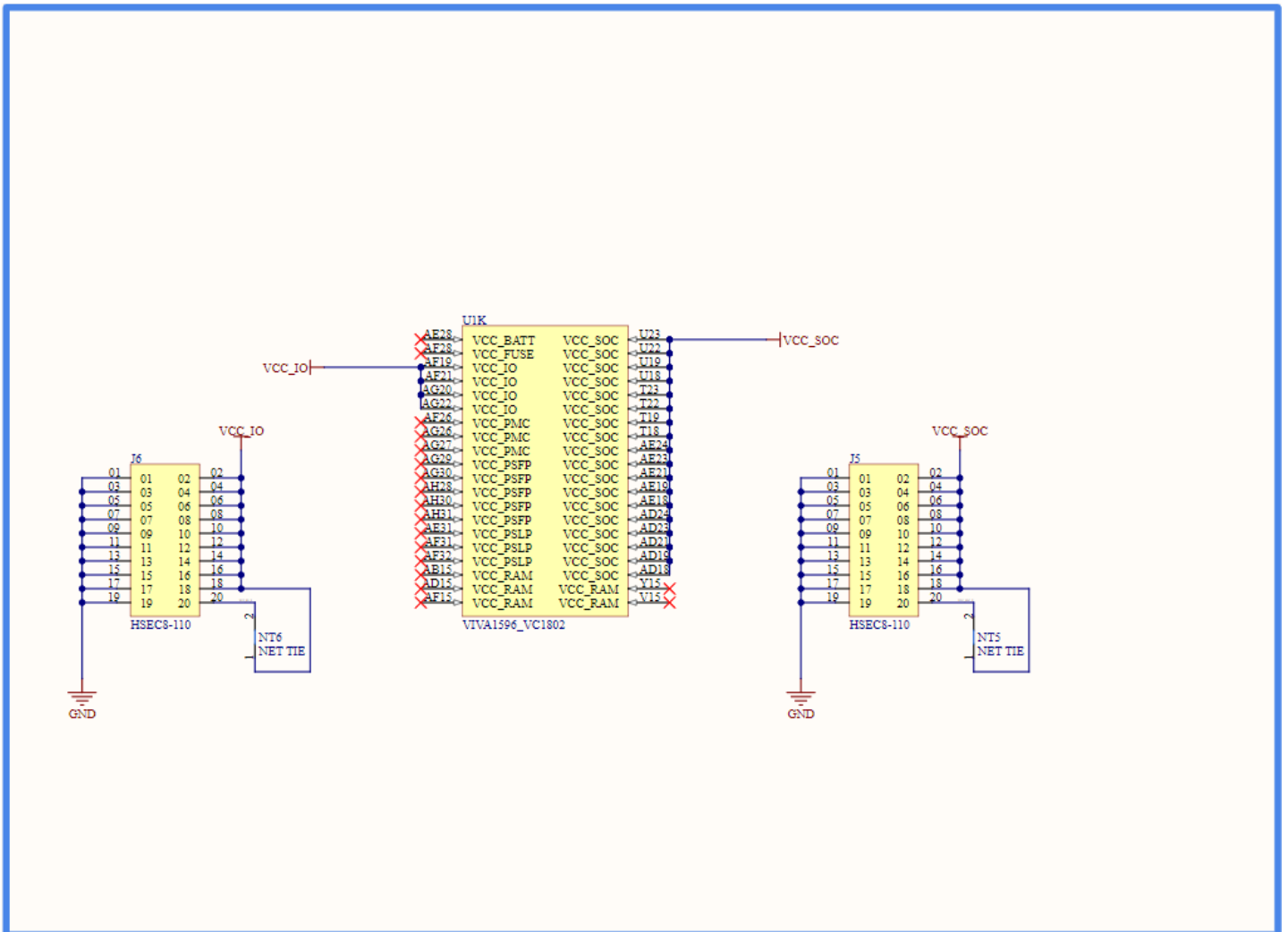
40x40mm package will have a 92x92x15mm tray

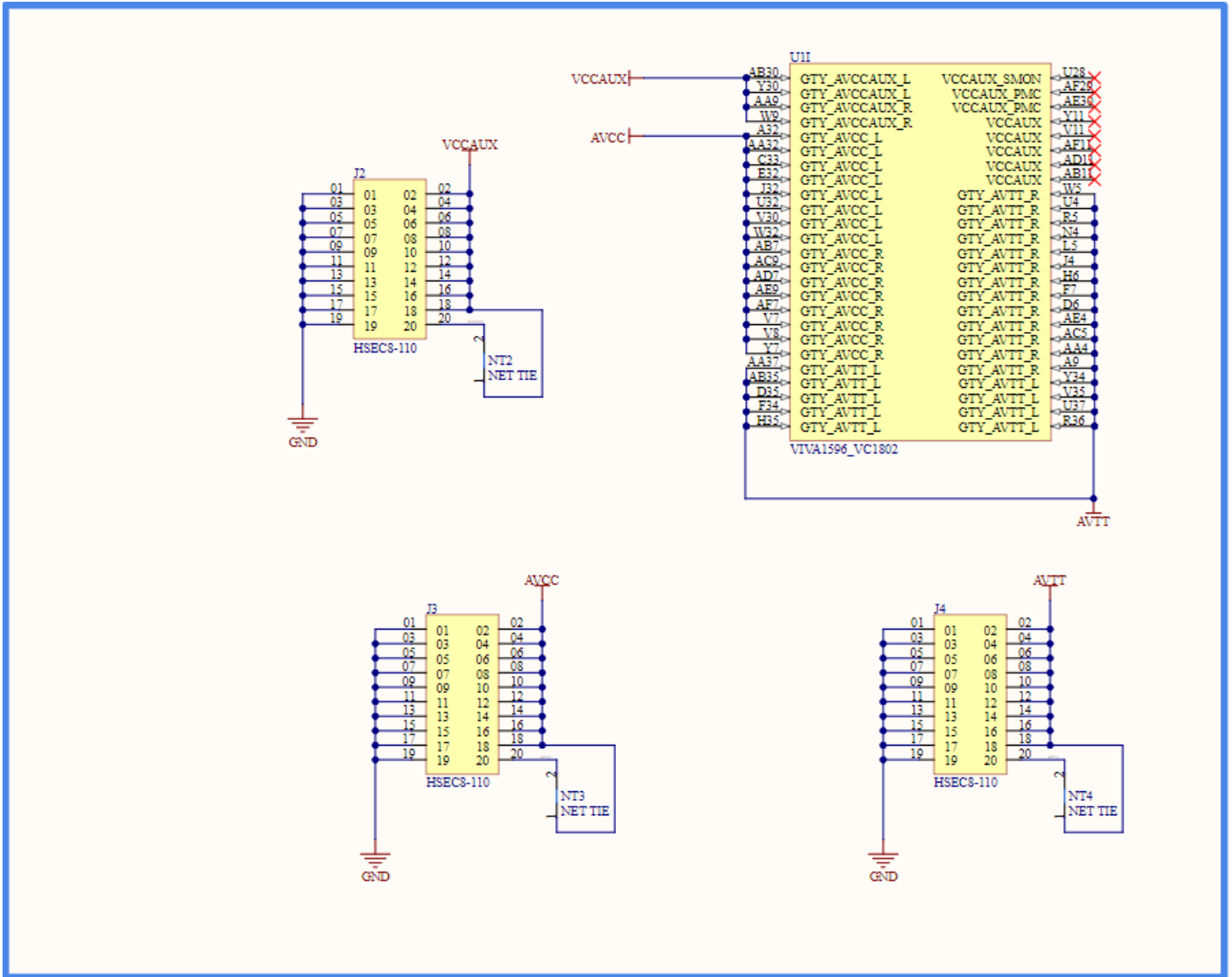
A1 top left corner



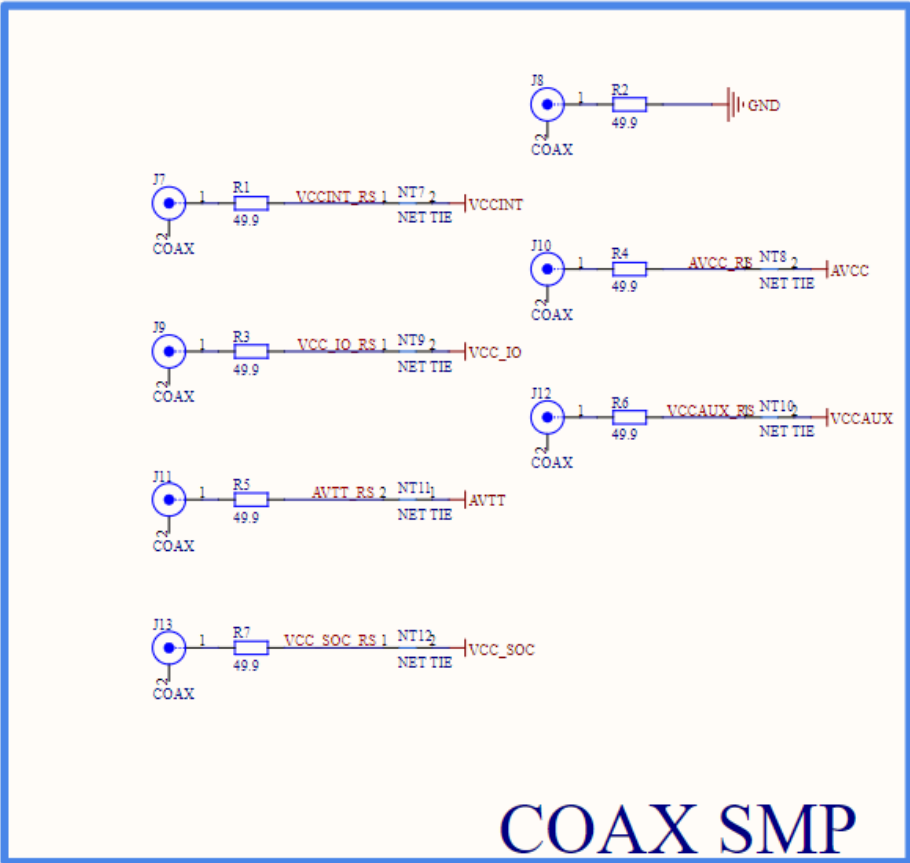
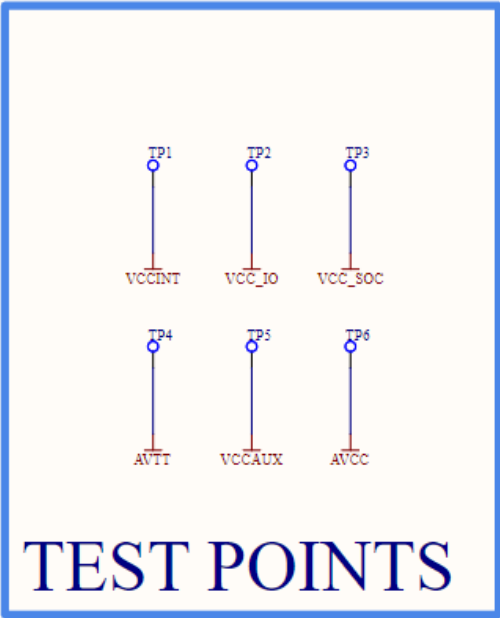
# Schematics

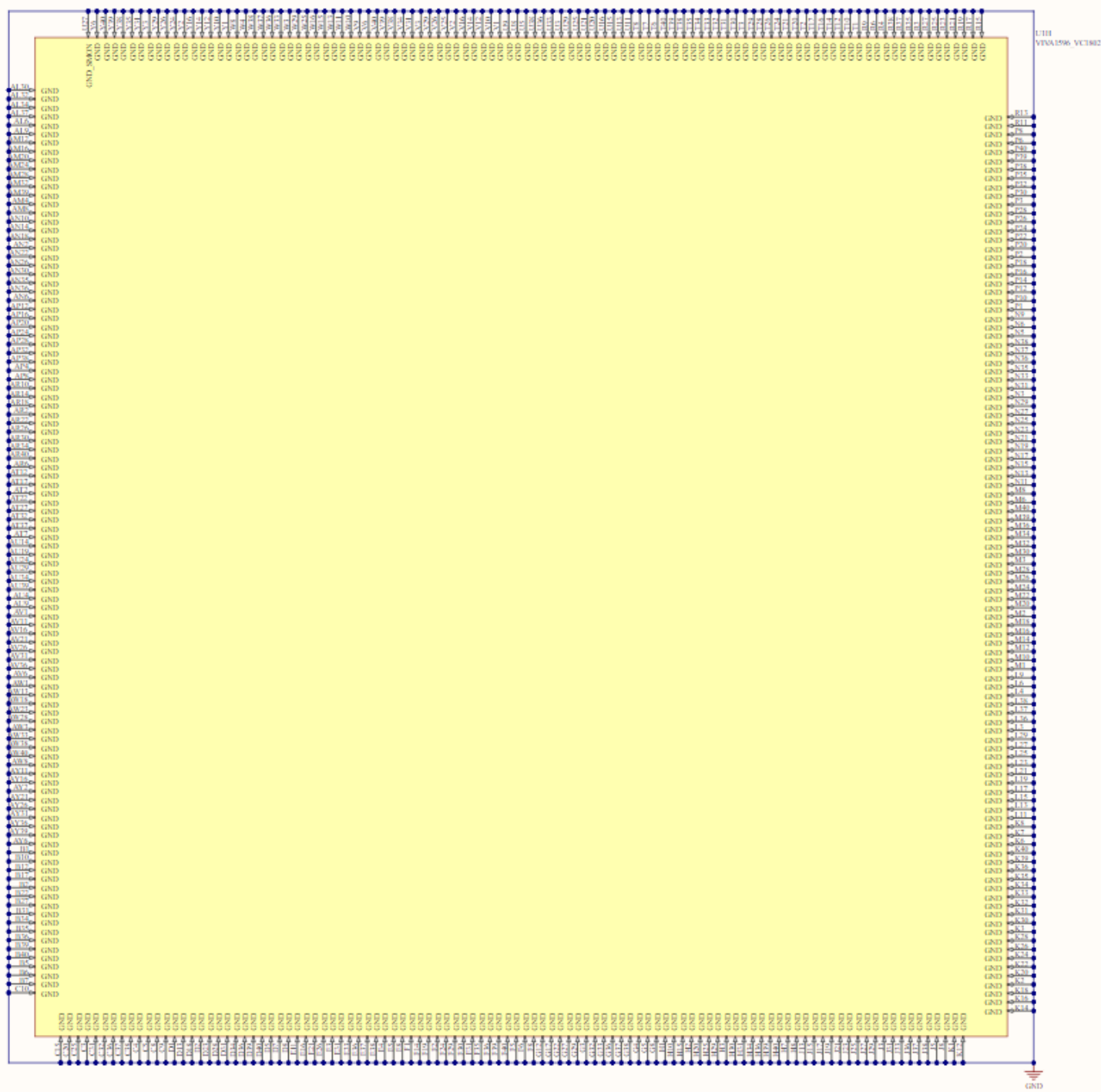


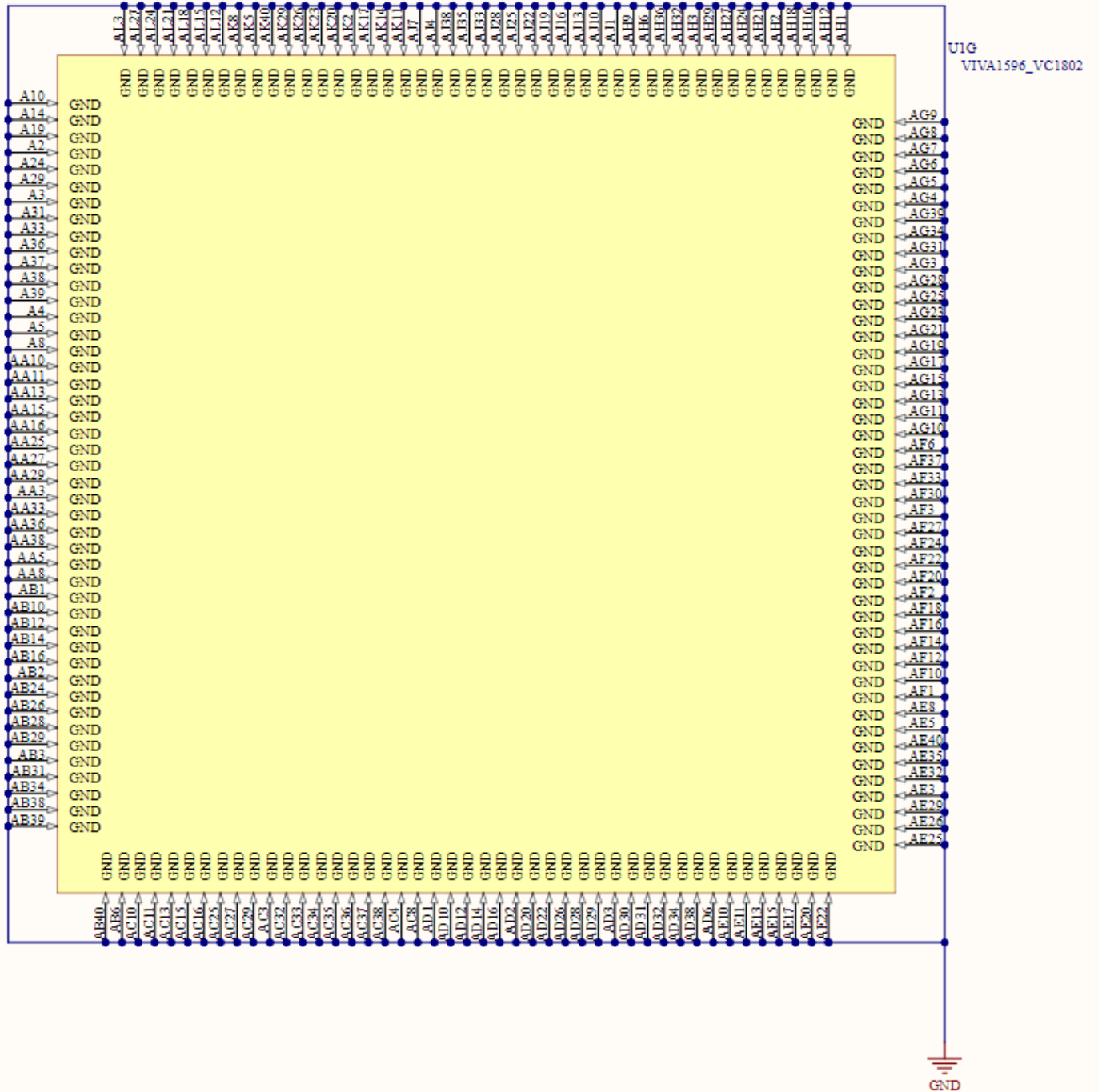












## Availability

Xilinx part number	ProGrAnalog part number
VC1802-VIVA1596	PA-KIT-VC1802-VIVA1596
VC1902-VIVA1596	PA-KIT-VC1902-VIVA1596

Visit us at:

<https://loadslammer.com>

Questions:

[support@progranalog.com](mailto:support@progranalog.com)

## X-ON Electronics

Largest Supplier of Electrical and Electronic Components

*Click to view similar products for [Sockets & Adapters](#) category:*

*Click to view products by [LoadSlammer](#) manufacturer:*

Other Similar products are found below :

[6508-0-00-01-00-00-33-0](#) [AC164348](#) [22827](#) [AC164353](#) [TDGL015](#) [70-0036](#) [SM132CQ-ACTEL](#) [LFVBBOK77CW1A](#) [LFBGARBW1AO](#)  
[LFDBGVCALS50R](#) [LFDBGVCALS50](#) [AC164403](#) [DX1011](#) [DX3021](#) [AC31S18A](#) [MIKROE-4552](#) [MIKROE-4553](#) [BH-ADP-60e\\_MIP-](#)  
[60t\\_TI](#) [MIKROE-425](#) [110-83-632-41-605101](#) [110-83-640-41-605101](#) [110-83-628-41-605101](#) [SLG46116V-SKT](#) [SLG46120V-SKT](#)  
[SLG46170V-SKT](#) [SLG46533V-SKT](#) [SLG46535V-SKT](#) [SLG46537M-SKT](#) [SLG46537V-SKT](#) [SLG46621V-SKT](#) [SLG46722V-SKT](#) [PA0003](#)  
[PA0007](#) [PA0009](#) [PA0035](#) [PA0085](#) [PA0096](#) [KITPF0100SKTEVBE](#) [AC164307](#) [IPC0079](#) [ATARDADPT-XPRO](#) [ATARD-DBGADPT](#) [80-](#)  
[000286](#) [ATSTK600-RC22](#) [ATSTK600-RC91](#) [ATSTK600-SC06](#) [SPC560PADPT64S](#) [AC164340](#) [966927-1](#) [PA0089](#)