

Xilinx Power Test Adaptor (PTA) - to test power delivery network to Zynq UltraScale+ ZU19-C1760 series FPGA's

ProGrAnalog Corp.

08/18/2023

Ver 3.2

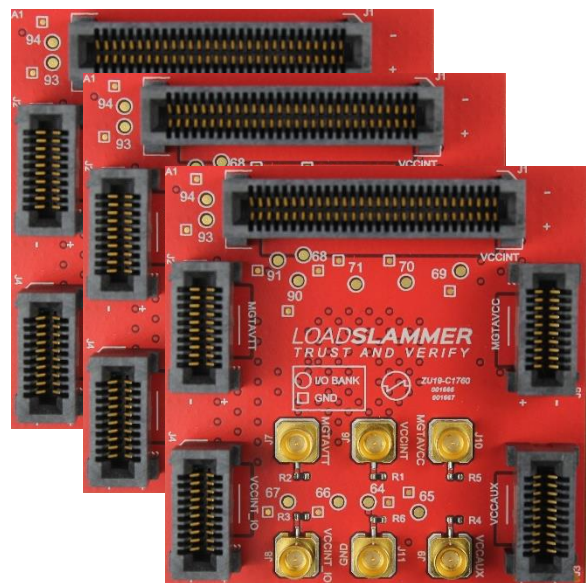
Features

- Set of 3 Xilinx Power Test Adaptors (PTA) for PDN testing AMD Xilinx Zynq UltraScale+ ZU19-C1760 series FPGAs
- 5 Samtec connectors to slam: VCCINT, MGTAVCC, VCCAUX, VCCINT_IO, MGTAVTT.
- 6 SMP connectors for testing: MGTAVTT, VCCINT, MGTAVCC, VCCAUX, VCCINT_IO, GND.
- PTA with BGA footprint reflows onto ZU19-C1760 PCB pads.
- Remote Vsense on Samtec connectors and SMP mini connectors.
- Most rails can be tested with an LSP200 controller.
- GUI supports transient, pulse train, impedance and 3D plots.

Typical Test Setup

- Xilinx PTA reflowed onto the test board.
- LSP1000RS connected into VCCINT connector.

Pack of 3 Zynq ZU19-C1760 series PTA's



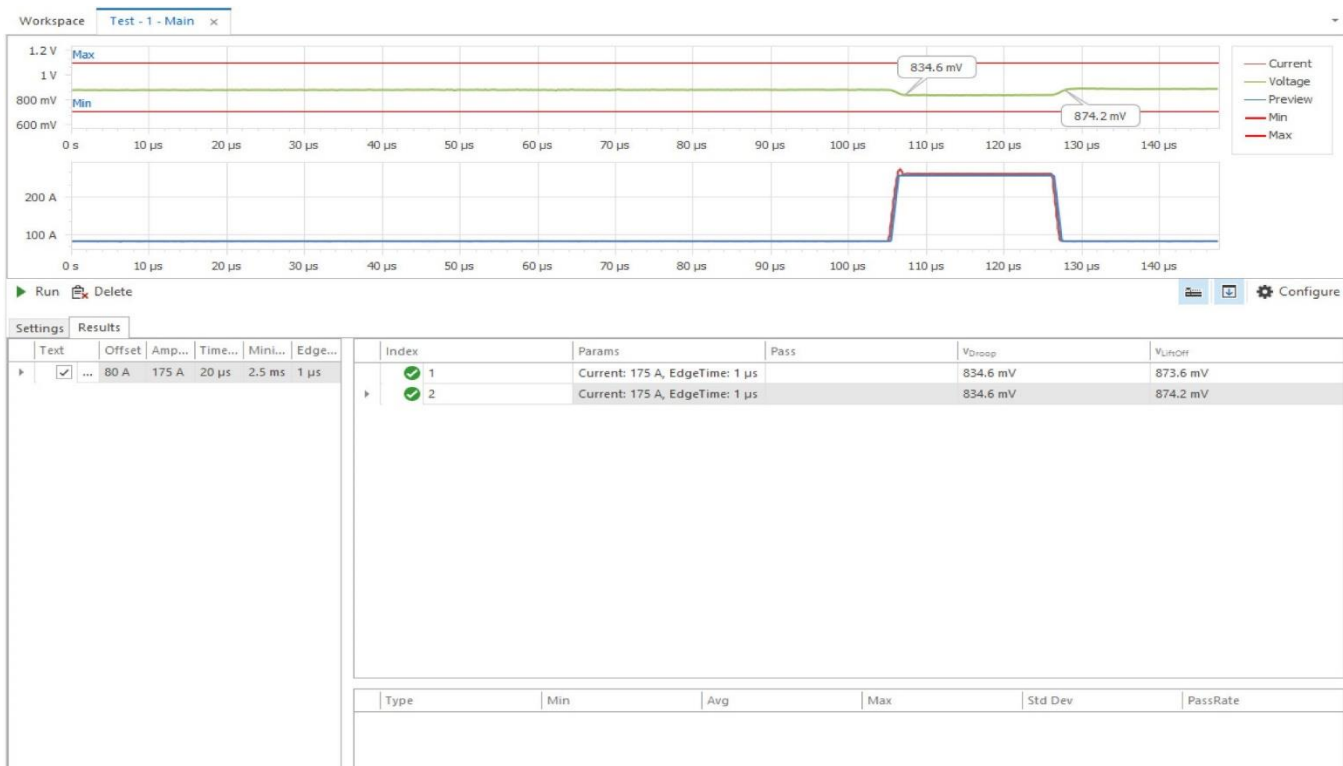
LoadSlammer GUI

Workspace **Test - 1** x

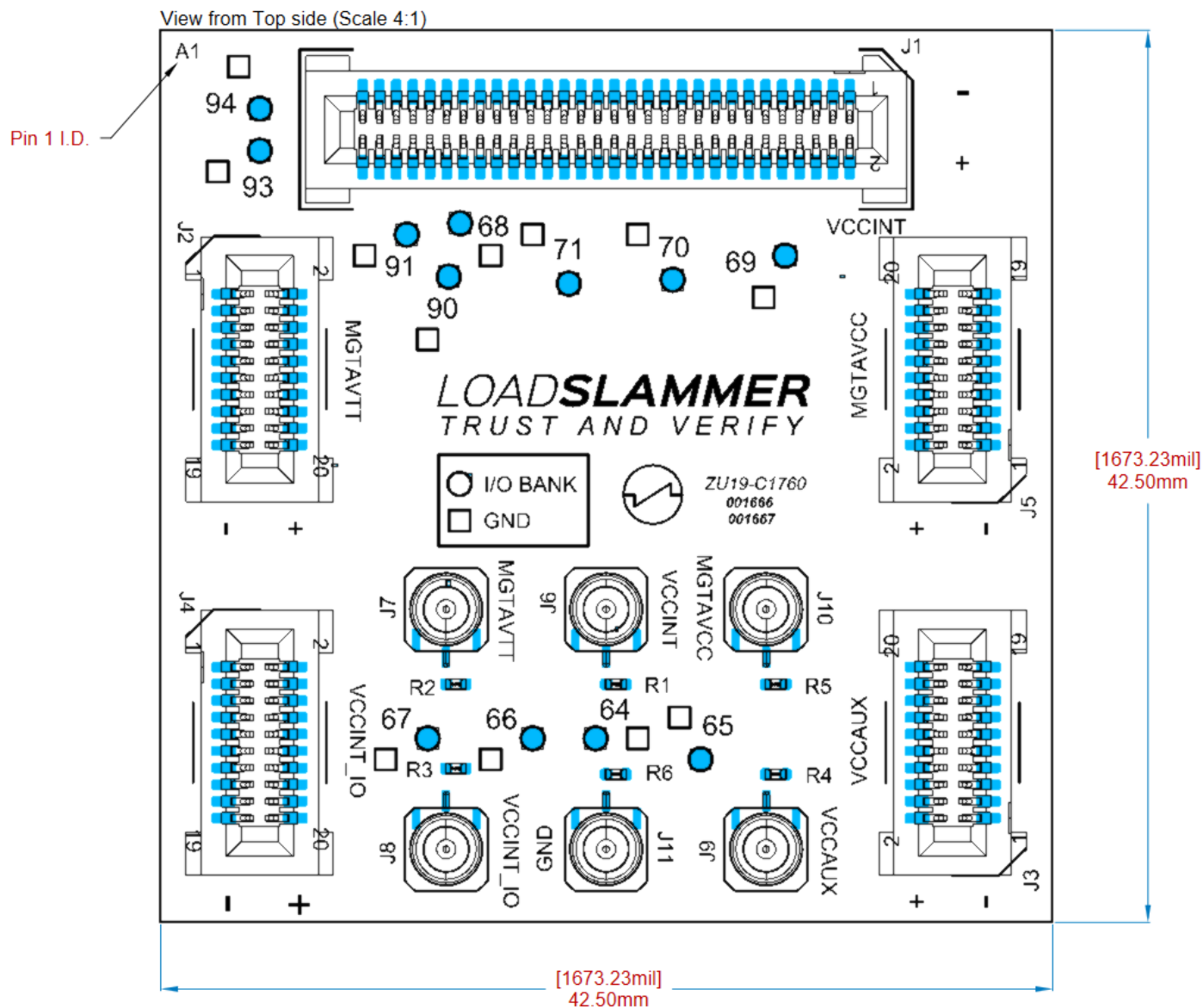
Available Tests Name: Test - 1 Rail: None

- Transient Test**
Transient load step with adjustable rise times, current, and pulse width.
- Pulse Train**
Repeating load steps with a configurable frequency and duty cycle.
- Impedance (Z)**
Large signal output impedance with adjustable current amplitude and offset.
- DC Load**
DC Load with timer.
- Delay**
Timed delay.

Transient test

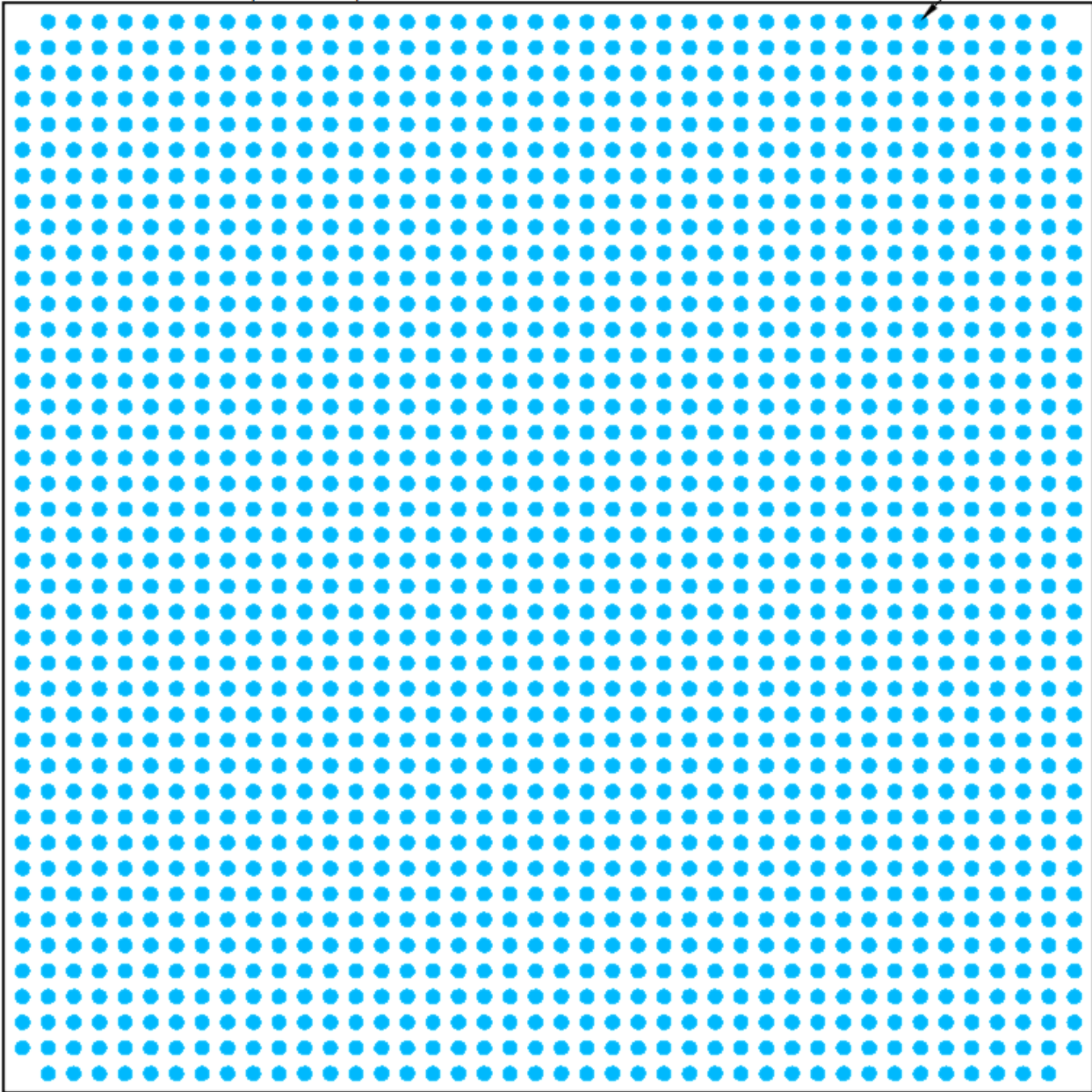


Mechanical Specs



View from Bottom side (Scale 4:1)

1mm BGA Pitch



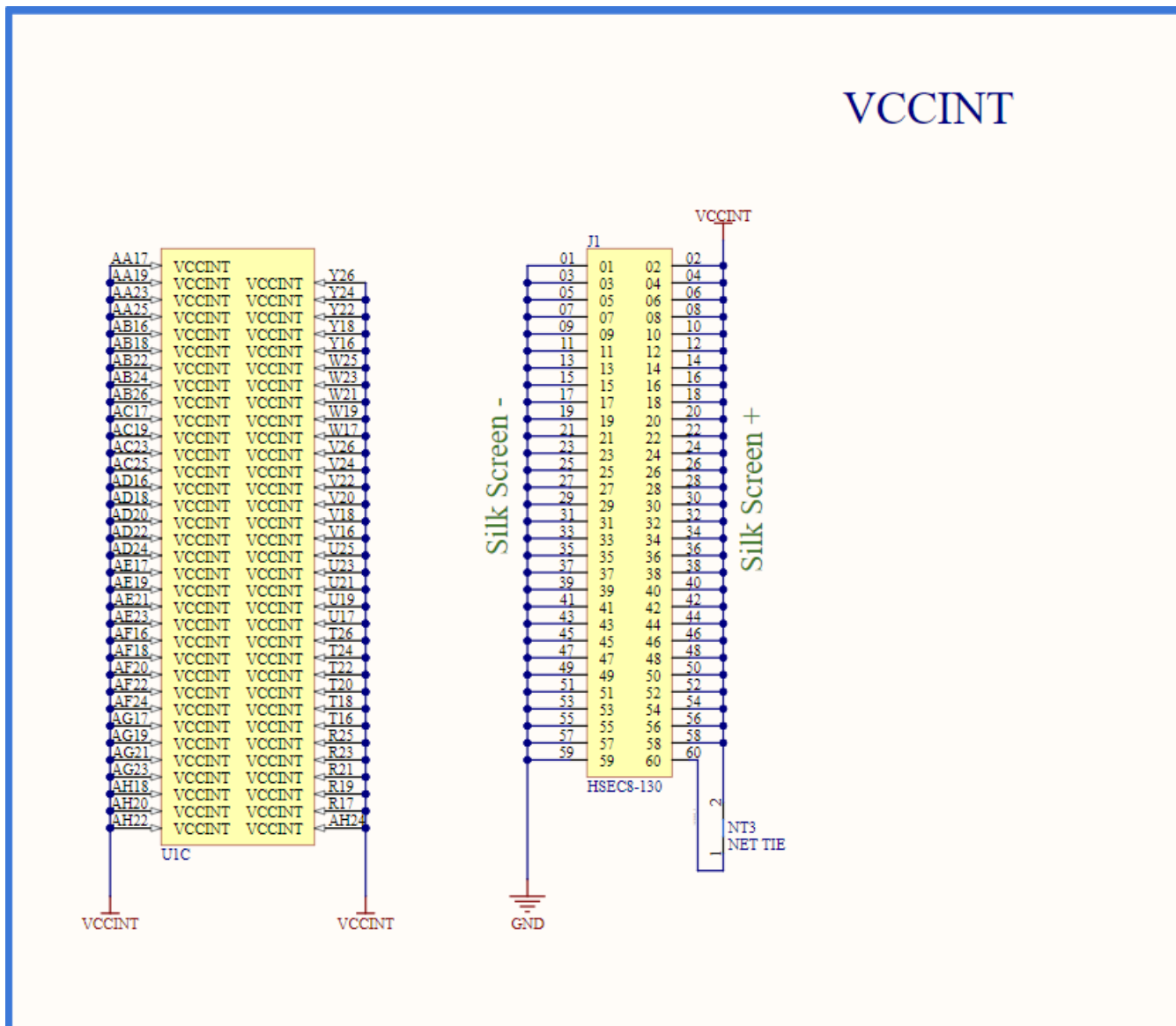
Packing Tray Specs

56.57mm x149.80mm x14.6mm

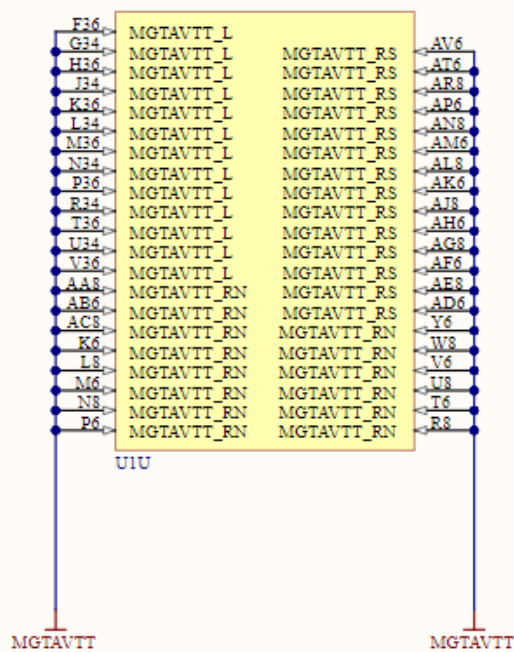
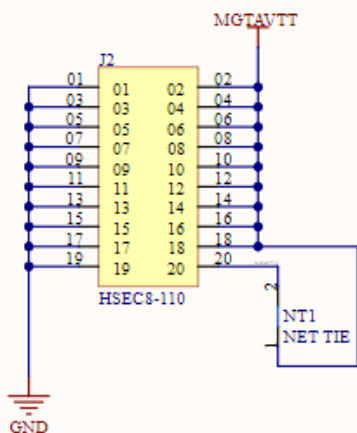
A1 - top left corner



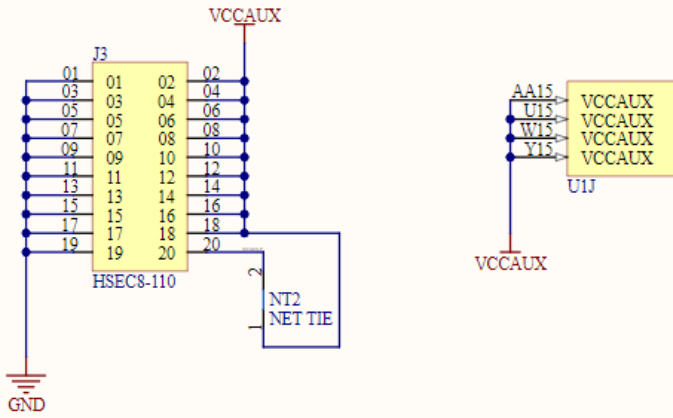
Schematics



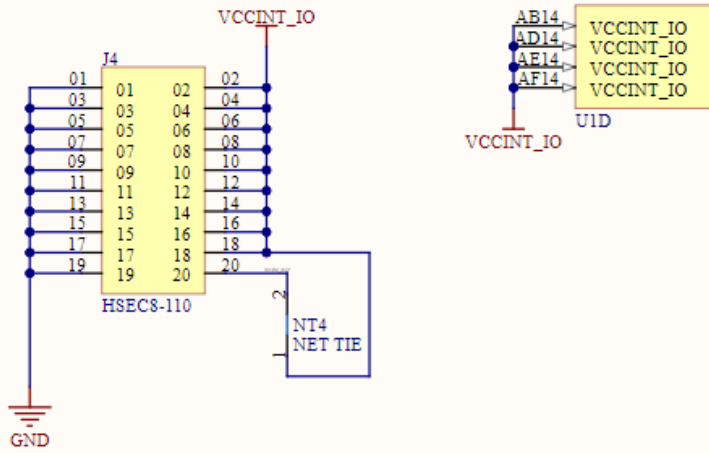
MGTAVTT



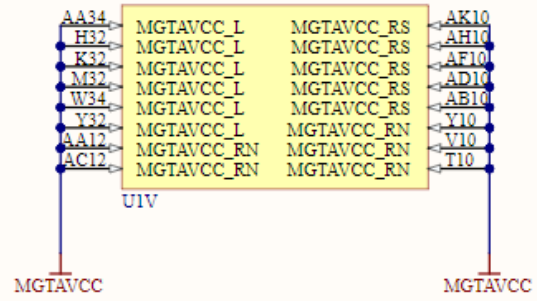
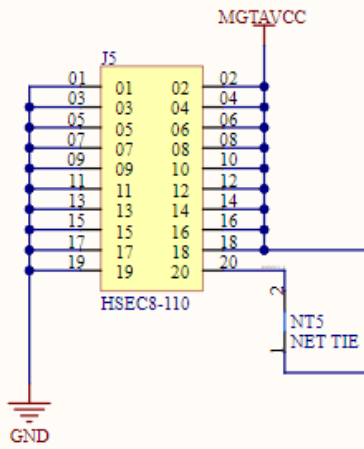
VCCAUX

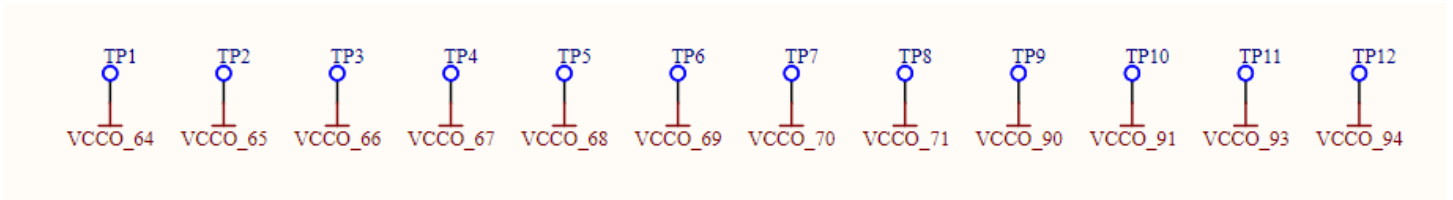
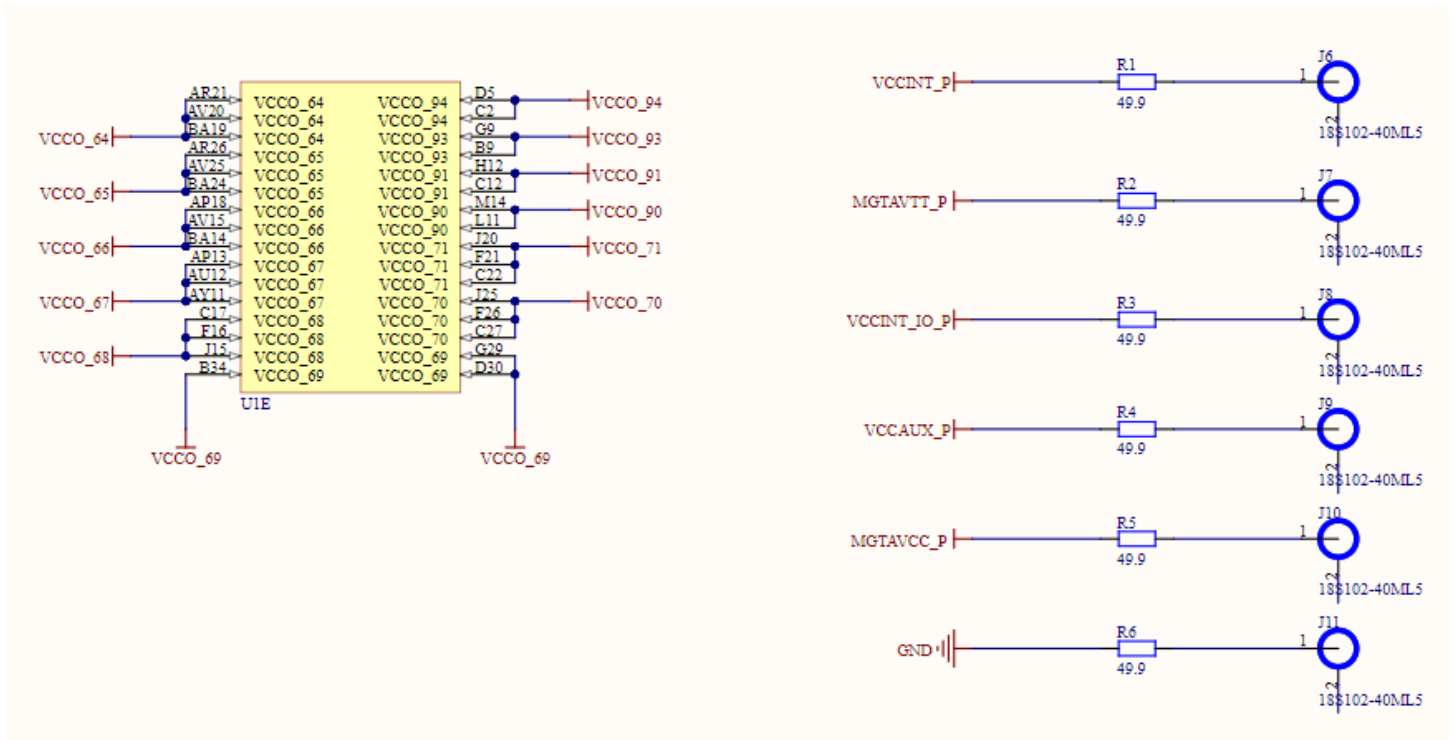


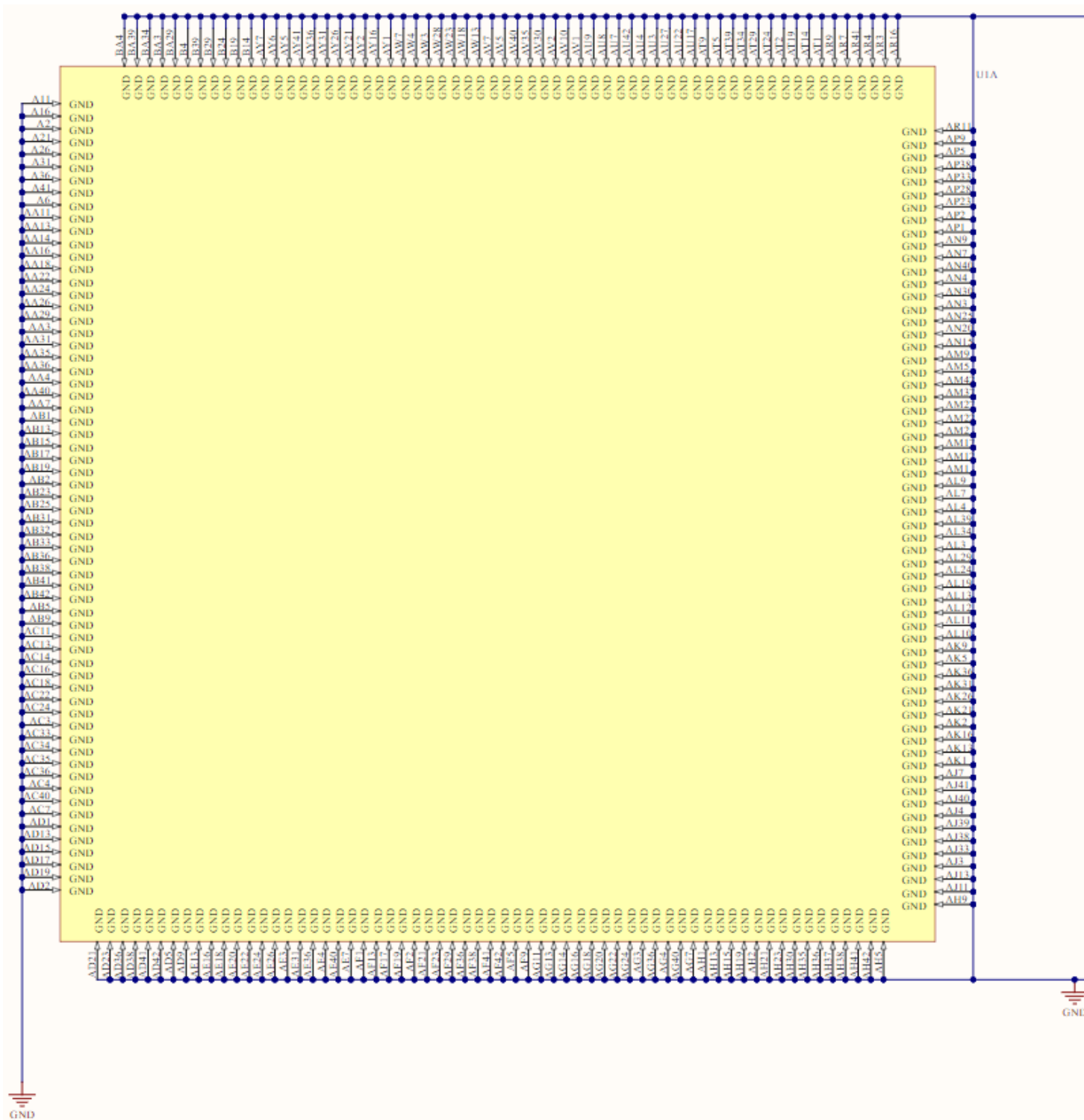
VCCINT_IO



MGTAVCC







Availability

Xilinx part number	ProGrAnalog part number
ZU19-C1760	PA-KIT-ZU19-C1760

<https://loadslammer.com>

Questions:

support@progranalog.com

X-ON Electronics

Largest Supplier of Electrical and Electronic Components

Click to view similar products for [Sockets & Adapters](#) category:

Click to view products by [LoadSlammer](#) manufacturer:

Other Similar products are found below :

[6508-0-00-01-00-00-33-0](#) [AC164348](#) [22827](#) [AC164353](#) [TDGL015](#) [70-0036](#) [SM132CQ-ACTEL](#) [LFVBBOK77CW1A](#) [LFBGARBW1AO](#)
[LFDBGVCALS50R](#) [LFDBGVCALS50](#) [AC164403](#) [DX1011](#) [DX3021](#) [AC31S18A](#) [MIKROE-4552](#) [MIKROE-4553](#) [BH-ADP-60e_MIP-](#)
[60t_TI](#) [MIKROE-425](#) [110-83-632-41-605101](#) [110-83-640-41-605101](#) [110-83-628-41-605101](#) [SLG46116V-SKT](#) [SLG46120V-SKT](#)
[SLG46170V-SKT](#) [SLG46533V-SKT](#) [SLG46535V-SKT](#) [SLG46537M-SKT](#) [SLG46537V-SKT](#) [SLG46621V-SKT](#) [SLG46722V-SKT](#) [PA0003](#)
[PA0007](#) [PA0009](#) [PA0035](#) [PA0085](#) [PA0096](#) [KITPF0100SKTEVBE](#) [AC164307](#) [IPC0079](#) [ATARDADPT-XPRO](#) [ATARD-DBGADPT](#) [80-](#)
[000286](#) [ATSTK600-RC22](#) [ATSTK600-RC91](#) [ATSTK600-SC06](#) [SPC560PADPT64S](#) [AC164340](#) [966927-1](#) [PA0089](#)