

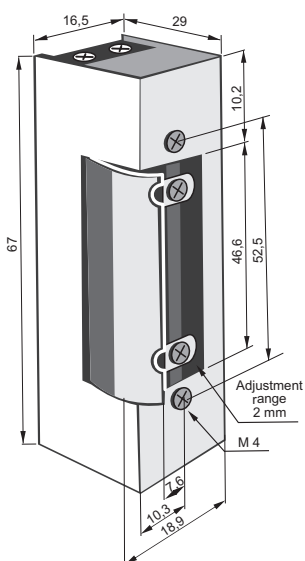
MECHANICAL



FEATURES

- ✓ Mechanical strike with roller function.
- ✓ Universal (left and right hand).
- ✓ Symmetrical and narrow.
- ✓ Height 67 mm., width 16,5 mm.
- ✓ Assembling screws distance 52,5 mm.
- ✓ Latch adjustment - 2 mm.
- ✓ For narrow profiles.
- ✓ Standard strike plates for electric strikes.
- ✓ Used for doors with a pull handle / pull tab.
- ✓ A reinforced spring keeps the door closed.
- ✓ In the day/night function, after special switching mechanical lever to the closed position, the door can be opened with the key only.

TECHNICAL DATA



Model	Strike with roller function
1410 RF-SL	Strike with roller function
1420 RF-SL	Strike with roller function with release lever

Recommended front plates 909, 910

X-ON Electronics

Largest Supplier of Electrical and Electronic Components

Click to view similar products for [Sensor Fixings & Accessories](#) category:

Click to view products by [Lockpol](#) manufacturer:

Other Similar products are found below :

[F03-01 SUS304 BINIL](#) [8000-5130](#) [FH-AP1](#) [PH-1-10M](#) [PH-1-20M](#) [PH-2-30M](#) [AC201](#) [R4](#) [ADI-LC3S](#) [E39-L149](#) [EC18-WELL](#) [PC-15015](#)
[K35-4](#) [A-1923](#) [SS-12143](#) [STA12](#) [PH-1-50M](#) [R6](#) [D01051301](#) [43912557-020](#) [MF-1 D=3.2](#) [BGN-035](#) [E39-L7](#) [ZX-SB11](#) [D01070602](#) [606072](#)
[606075](#) [Y92ES12PVC4A10ML](#) [Y92ES12PVC4S5ML](#) [SA9Z-F11](#) [Z49-SF1](#) [E4R-R12A-CS3M010](#) [ZX-SW11E V3](#) [CCS-PL-LDR2-70](#) [E4R-](#)
[R12A-CS3M020](#) [BS-1T CHITAN](#) [F03-01 CHITAN](#) [CCS-PD2-1012](#) [PH-2-90M](#) [PH-2-5M](#) [XMLZL008](#) [AC244](#) [28810-1](#) [PH-1-40M](#) [SS-](#)
[12225](#) [32043-500](#) [ZG2-XC15CR](#) [ZS-SW11V3E](#) [ZS-MDC11](#) [ZS-DSU11](#)