

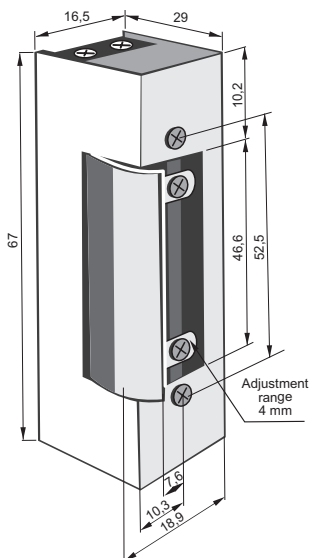
**NARROW**



## FEATURES

- ✓ Reversible (left and right hand).
- ✓ Symmetrical.
- ✓ Height 67 mm., width 16,5 mm.
- ✓ For narrow profiles.
- ✓ Fail - secure (NC) and fail-safe (NO) models.
- ✓ Assembling screws distance - 52,5 mm.
- ✓ Latch adjustment - 4 mm.
- ✓ Power supply: 6,12, 24, 48 V AC / DC.
- ✓ 24 hours working models.
- ✓ Low or very low power consumption.
- ✓ Optionally manual release lever, internal automatism (hold - open).
- ✓ Durability: grade C - 200,000 cycles.
- ✓ Category of use - grade 3 - suitable for public buildings.
- ✓ Certificate of Conformity acc. to EN 14846.

## TECHNICAL DATA



	Model			Rel.lever	Hold-Open
	Standard	Low consump.	NO		
1410	1418	1411			
1420	1428	1421	<input checked="" type="checkbox"/>		
1433	1438	-		<input checked="" type="checkbox"/>	
1443	1448	-	<input checked="" type="checkbox"/>	<input checked="" type="checkbox"/>	

Power supply (V)	6-12V AC/DC Standard	12-24V AC/DC Standard	12-24V AC/DC Low consump. 12V	24-48V AC/DC Low consump. 24V	12V DC NO	24V DC NO
Tolerance (%)	± 5 %					
Continuous work	< 1 min.	< 1 min.	100 % 12V DC <1 min. 12V AC <1 min.24V AC/DC	100 % 24V DC <1 min. 24V AC 48V / 340	100 %	100 %
Resistance (Ω)	8,5	20	40	140	40	140
Power consumption DC (mA)	6V / 700 12V / 1400	12V / 600 24V / 1100	12V / 300 24V / 600	24V / 170 48V / 340	12V / 300 -	24V / 170 -
Power consumption AC (mA)	6V / 600 12V / 1200	12V / 500 24V / 1000	12V / 250 24V / 510	24V / 150 48V / 300	-	-
Max preload DC (N)	10	10	10	10	10	10
Max preload AC (N)	90	90	90	90	-	-



For multi-residential houses access control we recommend models with external automatism (option).

Recommended front plates: 909, 910, CE 196E

## X-ON Electronics

Largest Supplier of Electrical and Electronic Components

*Click to view similar products for [Sensor Fixings & Accessories](#) category:*

*Click to view products by [Lockpol](#) manufacturer:*

Other Similar products are found below :

[F03-01 SUS304 BINIL](#) [8000-5130](#) [FH-AP1](#) [PH-1-10M](#) [PH-1-20M](#) [PH-2-30M](#) [AC201](#) [R4](#) [ADI-LC3S](#) [E39-L149](#) [EC18-WELL](#) [PC-15015](#)  
[K35-4](#) [A-1923](#) [SS-12143](#) [STA12](#) [PH-1-50M](#) [R6](#) [D01051301](#) [43912557-020](#) [MF-1 D=3.2](#) [BGN-035](#) [E39-L7](#) [ZX-SB11](#) [D01070602](#) [606072](#)  
[606075](#) [Y92ES12PVC4A10ML](#) [Y92ES12PVC4S5ML](#) [SA9Z-F11](#) [Z49-SF1](#) [ZFV-XMF2](#) [E4R-R12A-CS3M010](#) [ZX-SW11E V3](#) [CCS-PL-](#)  
[LDR2-70](#) [E4R-R12A-CS3M020](#) [BS-1T CHITAN](#) [F03-01 CHITAN](#) [PH-2-90M](#) [PH-2-5M](#) [XMLZL008](#) [AC244](#) [28810-1](#) [PH-1-40M](#) [SS-](#)  
[12225](#) [32043-500](#) [PH-2-60M](#) [ZG2-XC15CR](#) [ZS-SW11V3E](#) [ZS-MDC11](#)