

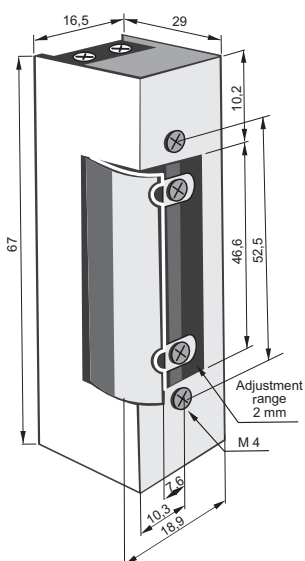
RADIAL



FEATURES

- ✓ Radial, opened at minimal swing.
- ✓ Reversible (left and right hand).
- ✓ Symmetrical and narrow.
- ✓ Height 67 mm., width 16,5 mm.
- ✓ Fail - secure (NC) and fail-safe (NO) models.
- ✓ Assembling screws distance 52,5 mm.
- ✓ Latch adjustment - 2 mm.
- ✓ Power supply: 6, 12, 24, 48 V AC / DC.
- ✓ 24 hours working models.
- ✓ Low or very low power consumption.
- ✓ Optionally manual release lever, internal automatism (hold - open).
- ✓ Durability: grade C - 200,000 cycles.
- ✓ Category of use - grade 3 - suitable for public buildings.
- ✓ Certificate of Conformity acc. to EN 14846.

TECHNICAL DATA

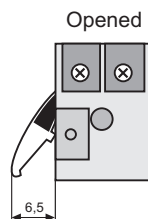


| Model | | | Rel.lever | Hold-Open |
|----------|--------------|---------|-------------------------------------|-------------------------------------|
| Standard | Low consump. | NO | | |
| 1410 RF | 1418 RF | 1411 RF | | |
| 1420 RF | 1428 RF | 1421 RF | <input checked="" type="checkbox"/> | |
| 1433 RF | 1438 RF | - | | <input checked="" type="checkbox"/> |
| 1443 RF | 1448 RF | - | <input checked="" type="checkbox"/> | <input checked="" type="checkbox"/> |

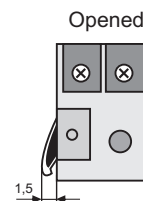
| Power supply (V) | 6-12V AC/DC Standard | 12-24V AC/DC Standard | 12-24V AC/DC Low consump. 12V | 24-48V AC/DC Low consump. 24V | 12V DC NO | 24V DC NO |
|---------------------------|-------------------------|--------------------------|---|---|----------------|----------------|
| Tolerance (%) | ± 5 % | | | | | |
| Continuous work | < 1 min. | < 1 min. | 100 % 12V DC <1 min. 12V AC <1 min. 24V AC/DC | 100 % 24V DC <1 min. 24V AC <1 min. 48V AC/DC | 100 % | 100 % |
| Resistance (Ω) | 8,5 | 20 | 40 | 140 | 40 | 140 |
| Power consumption DC (mA) | 6V / 700 12V / 1400 | 12V / 600 24V / 1100 | 12V / 300 24V / 600 | 24V / 170 48V / 340 | 12V / 300 - | 24V / 170 - |
| Power consumption AC (mA) | 6V / 600 12V / 1200 | 12V / 500 24V / 1000 | 12V / 250 24V / 510 | 24V / 150 48V / 300 | - | - |
| Max preload DC (N) | 10 | 10 | 10 | 10 | 10 | 10 |
| Max preload AC (N) | 90 | 90 | 90 | 90 | - | - |



For multi-residential houses access control we recommend models with external automatism (option).



Standard
1400 series



Radial 1400 RF

Recommended front plates 909, 910, CE196E

X-ON Electronics

Largest Supplier of Electrical and Electronic Components

Click to view similar products for [Sensor Fixings & Accessories](#) category:

Click to view products by [Lockpol](#) manufacturer:

Other Similar products are found below :

[F03-01](#) [SUS304 BINIL](#) [8000-5130](#) [FH-AP1](#) [PH-1-10M](#) [PH-1-20M](#) [PH-2-30M](#) [AC201](#) [R4](#) [ADI-LC3S](#) [E39-L149](#) [EC18-WELL](#) [PC-15015](#)
[K35-4](#) [A-1923](#) [SS-12143](#) [STA12](#) [PH-1-50M](#) [R6](#) [D01051301](#) [43912557-020](#) [MF-1 D=3.2](#) [BGN-035](#) [E39-L7](#) [ZX-SB11](#) [D01070602](#) [606072](#)
[606075](#) [Y92ES12PVC4A10ML](#) [Y92ES12PVC4S5ML](#) [SA9Z-F11](#) [Z49-SF1](#) [E4R-R12A-CS3M010](#) [ZX-SW11E V3](#) [E4R-R12A-CS3M020](#)
[BS-1T CHITAN](#) [CCS-PD2-1012](#) [PH-2-90M](#) [PH-2-5M](#) [XMLZL008](#) [AC244](#) [28810-1](#) [PH-1-40M](#) [SS-12225](#) [32043-500](#) [ZG2-XC15CR](#) [ZS-](#)
[SW11V3E](#) [ZS-MDC11](#) [ZS-DSU11](#) [ZJ-SFW11](#) [Y92E-ST505-05](#)