

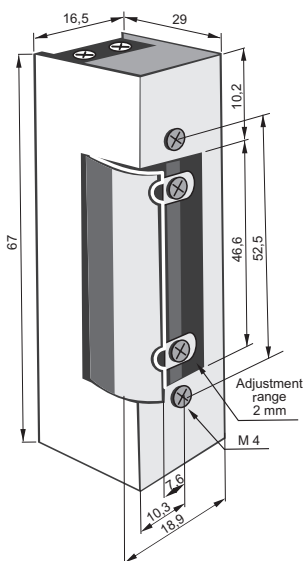
**RADIAL**



## FEATURES

- ✓ Radial, opened at minimal swing.
- ✓ Reversible (left and right hand).
- ✓ Symmetrical and narrow.
- ✓ Height 67 mm., width 16,5 mm.
- ✓ Fail - secure (NC) and fail-safe (NO) models.
- ✓ Assembling screws distance 52,5 mm.
- ✓ Latch adjustment - 2 mm.
- ✓ Power supply: 6, 12, 24, 48 V AC / DC.
- ✓ 24 hours working models.
- ✓ Low or very low power consumption.
- ✓ Optionally manual release lever, internal automatism (hold - open).
- ✓ Durability: grade C - 200,000 cycles.
- ✓ Category of use - grade 3 - suitable for public buildings.
- ✓ Certificate of Conformity acc. to EN 14846.

## TECHNICAL DATA

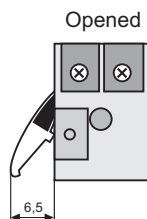


| Model    |              |         | Rel.lever                           | Hold-Open                           |
|----------|--------------|---------|-------------------------------------|-------------------------------------|
| Standard | Low consump. | NO      |                                     |                                     |
| 1410 RF  | 1418 RF      | 1411 RF |                                     |                                     |
| 1420 RF  | 1428 RF      | 1421 RF | <input checked="" type="checkbox"/> |                                     |
| 1433 RF  | 1438 RF      | -       |                                     | <input checked="" type="checkbox"/> |
| 1443 RF  | 1448 RF      | -       | <input checked="" type="checkbox"/> | <input checked="" type="checkbox"/> |

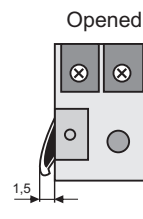
| Power supply (V)          | 6-12V AC/DC Standard   | 12-24V AC/DC Standard   | 12-24V AC/DC Low consump. 12V                 | 24-48V AC/DC Low consump. 24V                 | 12V DC NO      | 24V DC NO      |
|---------------------------|------------------------|-------------------------|---|---|----------------|----------------|
| Tolerance (%)             | ± 5 %                  |                         |   |   |                |                |
| Continuous work           | < 1 min.               | < 1 min.                | 100 % 12V DC <1 min. 12V AC <1 min. 24V AC/DC | 100 % 24V DC <1 min. 24V AC <1 min. 48V AC/DC | 100 %          | 100 %          |
| Resistance (Ω)            | 8,5                    | 20                      | 40  | 140   | 40             | 140            |
| Power consumption DC (mA) | 6V / 700<br>12V / 1400 | 12V / 600<br>24V / 1100 | 12V / 300<br>24V / 600                        | 24V / 170<br>48V / 340                        | 12V / 300<br>- | 24V / 170<br>- |
| Power consumption AC (mA) | 6V / 600<br>12V / 1200 | 12V / 500<br>24V / 1000 | 12V / 250<br>24V / 510                        | 24V / 150<br>48V / 300                        | -              | -              |
| Max preload DC (N)        | 10                     | 10                      | 10  | 10  | 10             | 10             |
| Max preload AC (N)        | 90                     | 90                      | 90  | 90  | -              | -              |



For multi-residential houses access control we recommend models with external automatism (option).



Standard 1400 series



Radial 1400 RF

Recommended front plates 909, 910, CE196E

## X-ON Electronics

Largest Supplier of Electrical and Electronic Components

*Click to view similar products for [Sensor Fixings & Accessories](#) category:*

*Click to view products by [Lockpol](#) manufacturer:*

Other Similar products are found below :

[F03-01 SUS304 BINIL](#) [8000-5130](#) [FH-AP1](#) [PH-1-10M](#) [PH-1-20M](#) [PH-2-30M](#) [AC201](#) [R4](#) [ADI-LC3S](#) [E39-L149](#) [EC18-WELL](#) [PC-15015](#)  
[K35-4](#) [A-1923](#) [SS-12143](#) [STA12](#) [PH-1-50M](#) [R6](#) [D01051301](#) [43912557-020](#) [MF-1 D=3.2](#) [BGN-035](#) [E39-L7](#) [ZX-SB11](#) [D01070602](#) [606072](#)  
[606075](#) [Y92ES12PVC4A10ML](#) [Y92ES12PVC4S5ML](#) [SA9Z-F11](#) [Z49-SF1](#) [ZFV-XMF2](#) [E4R-R12A-CS3M010](#) [ZX-SW11E V3](#) [CCS-PL-](#)  
[LDR2-70](#) [E4R-R12A-CS3M020](#) [BS-1T CHITAN](#) [F03-01 CHITAN](#) [PH-2-90M](#) [PH-2-5M](#) [XMLZL008](#) [AC244](#) [28810-1](#) [PH-1-40M](#) [SS-](#)  
[12225](#) [32043-500](#) [PH-2-60M](#) [ZG2-XC15CR](#) [ZS-SW11V3E](#) [ZS-MDC11](#)