

ANTI FIRE



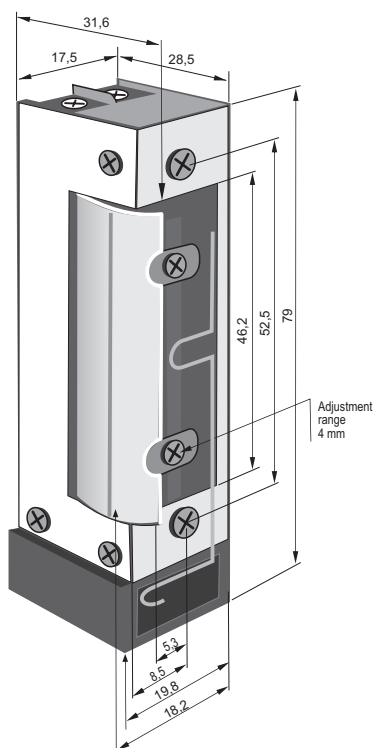
Ⓑ

FEATURES

- ✓ Radial with microswitch for fireproof and smokeproof doors with fire resistance 60 min. (Ei260).
- ✓ Strength up to 500kgs.
- ✓ Max micro switch load: AC (125V)-3A DC (30V)-2A.
- ✓ Reversible (left and right hand).
- ✓ Symmetrical.
- ✓ Height 79 mm., width 18,2 mm.
- ✓ Fail – secure (NC) and fail-safe (NO) models.
- ✓ Assembling screws distance 52,5 mm.
- ✓ Power supply: 12, 24, 48 V AC / DC.
- ✓ 24 hours working models.
- ✓ Low or very low power consumption.
- ✓ Working temperature for NO electric strikes is 60 ° C.
- ✓ Durability: grade C - 200,000 cycles.
- ✓ Category of use - grade 3 - suitable for public buildings.
- ✓ Certificate of Conformity acc. to EN 14846.

TECHNICAL DATA

Standard	Model	
	Low consump.	NO
1860RF	1868RF	1861RF



Power supply (V)	12-24V AC/DC Standard	12-24V AC/DC Low consump. 12V	24-48V AC/DC Low consump. 24V	12V DC NO	24V DC NO
	Tolerance (%)	± 5 %			
Continuous work	< 1 min.	100 % 12V DC <1 min. 12V AC <1 min. 24V AC/DC	100 % 24V DC <1 min. 24V AC <1 min. 48V AC/DC	100 %	100 %
Resistance (Ω)	20	40	140	40	140
Power consumption DC (mA)	12V / 600 24V / 1100	12V / 300 24V / 600	24V / 170 48V / 340	12V / 300 -	24V / 170 -
Power consumption AC (mA)	12V / 500 24V / 1000	12V / 250 24V / 510	24V / 150 48V / 300	-	-
Max preload DC (N)	10	10	10	10	10
Max preload AC (N)	90	90	90	-	-

Recommended front plates: CE 194RE-6RF, CE 194EA-6RF

X-ON Electronics

Largest Supplier of Electrical and Electronic Components

Click to view similar products for [Sensor Fixings & Accessories](#) category:

Click to view products by [Lockpol](#) manufacturer:

Other Similar products are found below :

[8000-5130](#) [R4](#) [PBT420-100R](#) [ACPG-003](#) [SS-12143](#) [STA12](#) [AP4-T](#) [R6](#) [D01051301](#) [43912557-020](#) [D01070602](#) [606072](#) [606075](#) [28810-2](#)
[ZX-SW11E V3](#) [T63353](#) [32043-625](#) [SS-12225](#) [PH-2-60M](#) [STE-1042609RFRC](#) [STE-1186763RFM4](#) [76002066](#) [C115 E02](#) [041 G1](#) [C115 E05](#)
[041 G1](#) [SA9Z-S07PN02](#) [ECT18-WELL](#) [79450811](#) [P2435.3](#) [AS7030B_WRISTBAND](#) [AS7038GB_WRISTBAND](#) [51001R](#) [11027667-00](#)
[ROTATEKNOB3D2GOKITTOBO1](#) [1410RFT 6-12V AC/DC](#) [1410RF 6-12V AC/DC](#) [1411RFT-24V DC](#) [1420RFW 12-24V AC/DC](#)
[1420RFW 6-12V AC/DC](#) [1421-12V DC](#) [1428 24-48V AC/DC](#) [1428RF 12-24V AC/DC](#) [1428RF 24-48V AC/DC](#) [1428RFT 12-24V AC/DC](#)
[1448RF 12-24V AC/DC](#) [1448RF 24-48V AC/DC](#) [1448RFT 12-24V AC/DC](#) [1448RFW 12-24V AC/DC](#) [1510 12-24V AC/DC](#) [1743 6-12V](#)
[AC/DC](#) [1743BB 12-24V DC](#)