

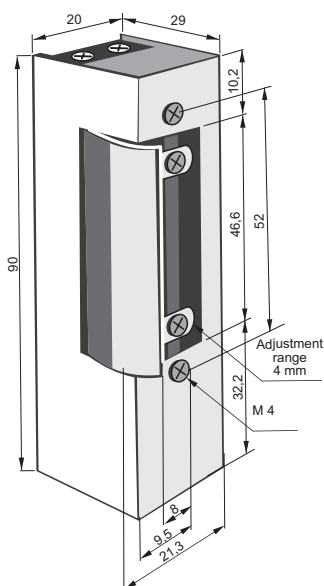
ADJUSTABLE



FEATURES

- ✓ Reversible (left and right hand).
- ✓ Unsymmetrical.
- ✓ Height 90 mm., width 20 mm.
- ✓ Fail-secure (NC) and fail-safe (NO) models.
- ✓ Assembling screws distance - 52 mm.
- ✓ Latch adjustment - 4 mm.
- ✓ Power supply: 12-24 V AC / DC.
- ✓ Low power consumption.
- ✓ Optionally manual release lever, internal automatism (hold - open).
- ✓ Durability: grade C - 200,000 cycles.
- ✓ Category of use - grade 3 - suitable for public buildings.
- ✓ Certificate of Conformity acc. to EN 14846.

TECHNICAL DATA



Model	Rel.lever	Hold-Open	NO
812			
822	<input checked="" type="checkbox"/>		
834		<input checked="" type="checkbox"/>	
844	<input checked="" type="checkbox"/>	<input checked="" type="checkbox"/>	
811			<input checked="" type="checkbox"/>

Power supply (V)	12-24V AC/DC	12V DC NO	24V DC NO
Tolerance (%)	± 5 %		
Continuous work	< 1 min.	100 %	100 %
Resistance (Ω)	23	60	150
Power consumption DC (mA)	12V / 500 24V / 1000	12V / 200 -	24V / 160 -
Power consumption AC (mA)	12V / 450 24V / 900	-	-
Max preload DC (N)	10	10	10
Max preload AC (N)	90	-	-

Recommended front plates: 900, 901, 902, 903, 913

X-ON Electronics

Largest Supplier of Electrical and Electronic Components

Click to view similar products for [Sensor Fixings & Accessories](#) category:

Click to view products by [Lockpol](#) manufacturer:

Other Similar products are found below :

[F03-01 SUS304 BINIL](#) [8000-5130](#) [FH-AP1](#) [PH-1-10M](#) [PH-1-20M](#) [PH-2-30M](#) [AC201](#) [R4](#) [ADI-LC3S](#) [E39-L149](#) [EC18-WELL](#) [K35-4](#) [A-1923](#) [SS-12143](#) [STA12](#) [PH-1-50M](#) [R6](#) [D01051301](#) [43912557-020](#) [MF-1 D=3.2](#) [BGN-035](#) [E39-L7](#) [ZX-SB11](#) [D01070602](#) [606072](#) [606075](#) [Y92ES12PVC4A10ML](#) [Y92ES12PVC4S5ML](#) [SA9Z-F11](#) [Z49-SF1](#) [E4R-R12A-CS3M010](#) [ZX-SW11E V3](#) [CCS-PL-LDR2-70](#) [E4R-R12A-CS3M020](#) [BS-1T CHITAN](#) [F03-01 CHITAN](#) [CCS-PD2-1012](#) [PH-2-90M](#) [PH-2-5M](#) [XMLZL008](#) [AC244](#) [28810-1](#) [PH-1-40M](#) [SS-12225](#) [32043-500](#) [ZG2-XC15CR](#) [ZS-SW11V3E](#) [ZS-MDC11](#) [ZS-DSU11](#) [ZJ-SFW11](#)