

# PAxxSO1-08(H)-s Data Sheet

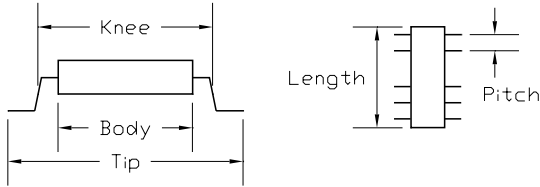
## 14-28 pin SO socket/14-28 pin DIP 0.3" or 0.6" plug

### Supported Device/Footprints

This adapter accepts various pin count SO packages with a body width of 0.3" and lead pitch of 0.050". The adapter DIP plug has the same pin count as the SO package. The DIP plug span is 0.3" or 0.6".

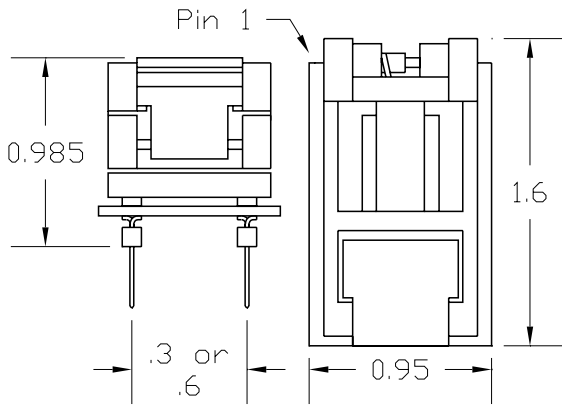
### Device Dimensions

This socket can accept devices of the following dimensions:



Body mm (inches)			Knee mm (inches)		
min.	typ.	max.	min.	typ.	max.
7.4 (0.291)	7.8 (0.307)	7.9 (0.311)	n/a	9.3 (0.366)	9.4 (0.370)
Tip mm (inches)			Body Length		Lead Pitch
min.	typ.	max.	n/a		1.27
10.0 (0.394)	11.6 (0.457)	n/a			

### Adapter Dimensions



### Adapter Construction

The adapter is made up of 2 sub-assemblies. They assemble via connectors making the adapter modular. This way the sub-assemblies can be replaced easily.

When disassembling the adapter take care not to bend the pins. When reassembling the adapter note the pin 1 indicators to align the parts correctly.

The following chart shows the various socket and board part numbers that make up these adapters.

Adapter	Socket	Board	DIP Plug
PA14SO1-08H-3	14(28H)SD-08	28SO08-14-3	0.3"
PA14SO1-08H-6	14(28H)SD-08	28SO08-14-6	0.6"
PA16SO1-08H-3	16(28H)SD-08	28SO08-16-3	0.3"
PA16SO1-08H-6	16(28H)SD-08	28SO08-16-6	0.6"
PA18SO1-08H-3	18(28H)SD-08	28SO08-18-3	0.3"
PA18SO1-08H-6	18(28H)SD-08	28SO08-18-6	0.6"
PA20SO1-08H-3	20(28H)SD-08	28SO08-20-3	0.3"
PA20SO1-08H-6	20(28H)SD-08	28SO08-20-6	0.6"
PA24SO1-08H-3	24(28H)SD-08	28SO08-24-3	0.3"
PA24SO1-08H-6	24(28H)SD-08	28SO08-24-6	0.6"
PA28SO1-08-3	28SD-08	28SO08-3	0.3"
PA28SO1-08-6	28SD-08	28SO08-6	0.6"

The board is Rev F.

### Test Socket

LSC #	Style	Mfgr/Pn
xx(28)SD-08	Lidded ZIF	Enplas FP-xx(28H)-1.27-08
28SD-08	Lidded ZIF	Enplas FP-28-1.27-08

The xx(28)SD-08 sockets are depopulated from 28 pins to fit the various devices. The sockets are removable so that they may be replaced easily. They are depopulated at the Pin 1 end. If you remove the socket be sure to replace it with the hinge at the Pin 1 end.

These sockets have divider fingers between the contacts. A device with fewer pins can be properly inserted in a socket with more pins.

The 28 pin adapter can be used for lower pincount devices. This feature offers a cost and adapter inventory saving for those that have the time for more careful device handling.

### Wiring

Wiring is 1 to 1. Pin 1 of the SO device is wired to pin 1 of the DIP plug. Pin 2 to pin 2 and so on around the adapter.

## X-ON Electronics

Largest Supplier of Electrical and Electronic Components

*Click to view similar products for [logical systems manufacturer](#):*

Other Similar products are found below :

[PA17C42-QD-03](#) [PA18SO1-08H-6](#) [PA40-44-P64-DP-PP](#) [PA44-PZP](#) [PADSO-0803-D310-08/2](#) [PA-SOD6SM18-32](#) [PA-SSD6SM18-28](#)  
[PA16C64-QD-16](#) [PA28SS-OT-6](#) [PA-QLD6SM18-32F-88](#) [PA-SSD6SM18-40](#) [PA8SO1-03-6](#) [PA14SO1-03-3](#) [PA280-44](#) [PA44QF03-44QF](#)  
[PA51-44](#) [PA32-28](#) [PA-SOF-D420-28/6](#) [PA18SO1-08H-3](#) [PA40-44-P64-DP](#) [PA8SO1-2006-6](#) [PA-DSO-1803Z-D420-18/2](#) [PA-QSD3SM18-16](#)  
[PA-DSO-2803-D420-28/2](#) [PA-SSD3SM18-18](#) [PA14SO1-03-6](#) [PA20SS-OT-3](#) [PA32-32Z](#) [PA44QL8-1D](#) [PA-SSD3SM18-28](#) [PA32-32](#) [PA-](#)  
[QSD3SM18-20](#) [PA44-40-P64](#) [PA32-28Z](#) [PA-SOF-D420-18/6](#) [PA-SOD3SM18-18](#) [PA8SO1-03-3](#) [PA-MSD3SM18-10](#) [PA-SOD3SM18-28](#)  
[PA-SSD3SM18-14](#) [PA-SSD3SM18-16](#) [PA-MSD3SM18-08](#) [PA-SSD3SM18-08](#) [PA-SSD3SM18-20](#) [PA-SOD3SM18-16](#) [PA-SOD3SM18-08](#)