

# LogiLink®

## Aluminum Headphone Stand

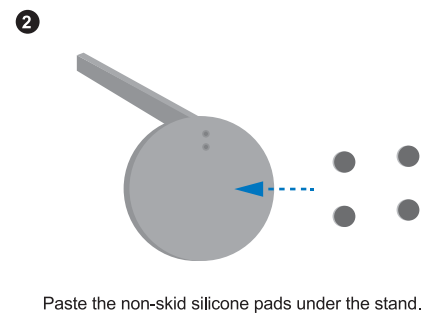
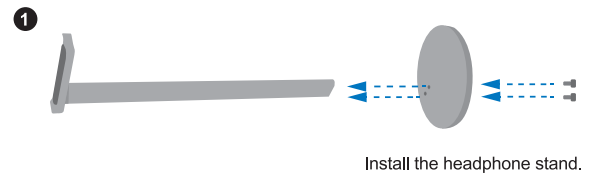
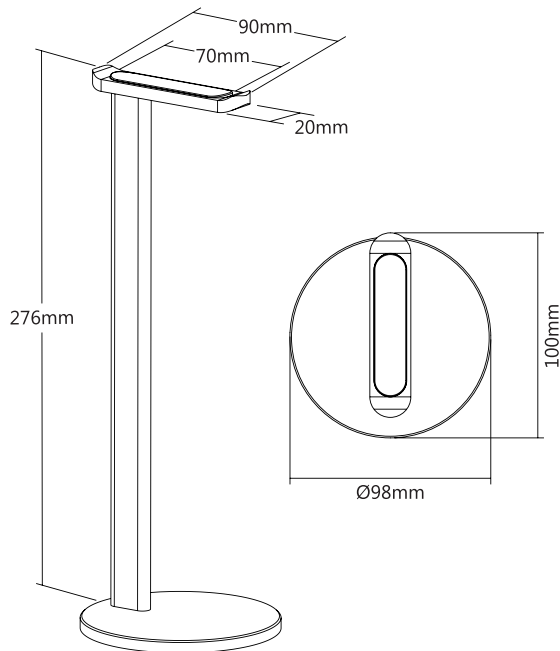
Art. No.: AA0105



Stylish design and organizes the available work area in a cramped workstation.

### Features:

- » Simple look blends into most interior designs
- » Silicone pad on the top prevents headphone from slipping off
- » Non-skid silicone pad under the base keeps the stand stable
- » Dimension: 98 x 100 x 276mm
- » Weight: 235g



AA0105



4 052792 046144

Made in China



RoHS  
compliant

\* The specifications and pictures are subject to change without notice.

\*All trade names referenced are the registered namework of their respective owners.

Best Connectivity

# LogiLink®

## Aluminum Headphone Stand

Art. No.: AA0105



**EASY**  
Installation

**Non-Skid**  
silicone

**Aluminium**  
Design

### Package Contents:

- » 1 x Stand
- » 1 x Base
- » 4 x Silicone Pads
- » 1 x Screw Package

### Package Informations:

- » Packing Dimension: 290 x 160 x 30mm
- » Packing Weight: 0.36kg
- » Carton Dimension: 495 x 305 x 325mm
- » Carton Q'ty: 30pcs
- » Carton Weight: 11.5kg



Best Connectivity

ⓘ Please download the user manual online at: <http://www.2direct.de/media/other/M-AA0105.pdf>



**RoHS**  
compliant

\* The specifications and pictures are subject to change without notice.

\*All trade names referenced are the registered namework of their respective owners.



AA0105



4 052792 046144

Made in China

## X-ON Electronics

Largest Supplier of Electrical and Electronic Components

*Click to view similar products for [Soldering Workstation Equipment](#) category:*

*Click to view products by [Logilink](#) manufacturer:*

Other Similar products are found below :

[FP-BVX](#) [GS1116](#) [2072](#) [BH-010](#) [AC-TX001-4](#) [CA0202](#) [CA0201](#) [AC-TX002-2](#) [MFR-CA3](#) [WXD2N](#) [Q-7100-9000](#) [35456](#) [T0051514699N](#)  
[35457](#) [35450](#) [WS2-NS](#) [T0051512299N](#) [ALFA](#) [T0058757898](#) [T0058768762](#) [T0058744845N](#) [T0051512199N](#) [BL12](#) [145-2000-ESDN](#)  
[T0058758721N](#) [T0058768727N](#) [T0058716743](#) [WXD2020N](#) [T0058768725N](#) [BP0027](#) [CLMU-A8](#) [0352830](#) [FAE1-2A](#) [JBC-JNASE-2A](#)  
[QUICK 860DA](#) [0016344](#) [0T56](#) [CL-SFE/1](#) [FILTERS](#) [PX0410/03P/5055](#) [RA150](#) [10G.SA.0](#) [36A.SA](#) [3C.SA](#) [3.TA](#) [AT850D/P](#) [TMT-HA300](#)  
[TMT-PH200](#) [5-048](#) [5-050](#) [5-051](#)