

LogiLink®

Full Motion TV Wall Mount for 32"-55" TV

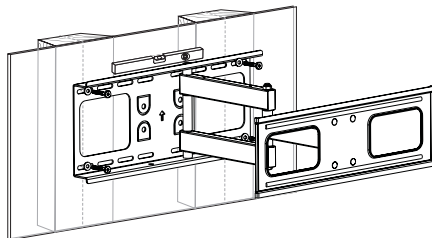
Art. No.: BP0015



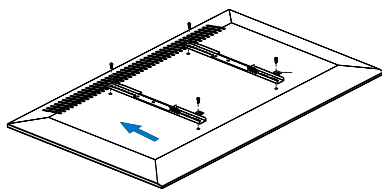
Easy installation and compatible with VESA standard max. 400x400mm.

Features:

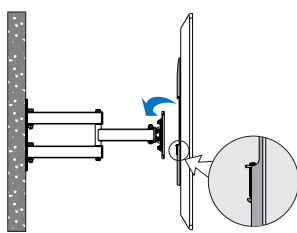
- » Super strong mounting brackets: Solid-reinforced Cold Steel, durable product with maximum capacity of 50kg
- » 62mm-475mm Profile from wall with Tilt capacity: 10°~-20°, Swivel capacity: 90°~-90° and Level Adjustment: 3°~-3°
- » Compatible with VESA 200x200mm, 400x200mm, 300x300mm, 400x400mm
- » Easy to install with direction indicator
- » Cable clips included keep cables organized
- » Fit for 32-55 inch LED LCD plasma TV, PC Monitor screens



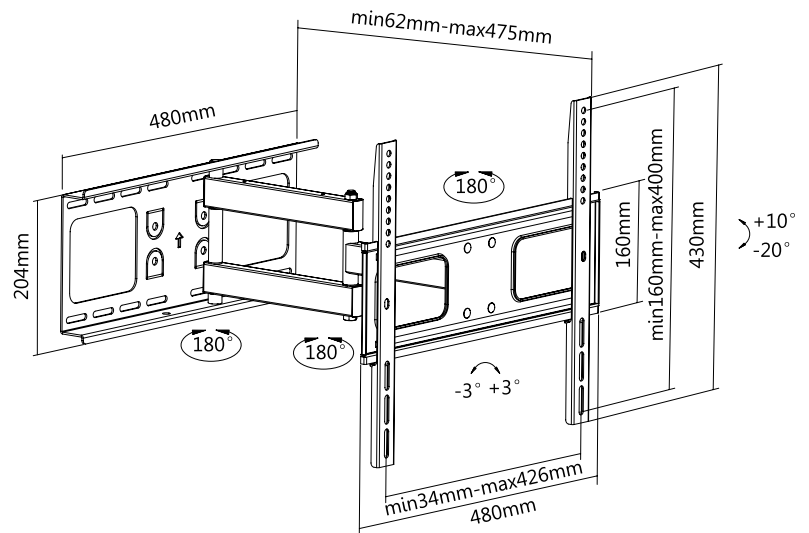
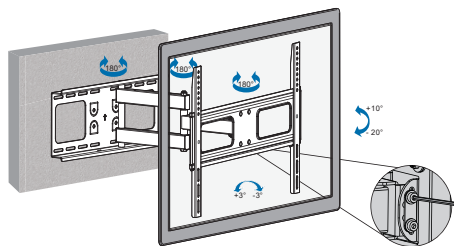
Install the wall plate to the wall



Install the wall mount to back of the TV



Install the wall mount to back of the TV



RoHS
compliant

* The specifications and pictures are subject to change without notice.
* All trade names referenced are the registered trademark of their respective owners.



BP0015



4 052792 042627

Made in China

LogiLink®

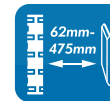


Full Motion TV Wall Mount for 32"-55" TV

Art. No.: BP0015

Specification:

Screen Size	32"-55"
Rated Load	50kg/110lbs
VESA	200x200, 400x200, 300x300, 400x400
Tilt	10°~-20°
Swivel	90°~-90°
Level Adjustment	3°~-3°
Distance to the wall	62-475mm
Product Size	480 x 430 x 475



Package Contents:

- » 1 x TV Wall Mount
- » 1 x Screw Package
- » 1 x User Manual

Package Informations:

- » Packing Dimension: 520 x 220 x 65mm
- » Packing Weight: 5.4kg
- » Carton Dimension: 540 x 235 x 215mm
- » Carton Q'ty: 3pcs
- » Carton Weight: 18kg



This product is designed to be installed on wood stud walls, solid concrete walls or brick walls. Make sure that the supporting surface will safely support the combined weight of the equipment and all attached hardware and components. This product is intended for indoor use only. Using this product outdoors could lead to product failure and personal injury.



RoHS
compliant

* The specifications and pictures are subject to change without notice.
*All trade names referenced are the registered namework of their respective owners.



BP0015



4 052792 042627

Made in China

X-ON Electronics

Largest Supplier of Electrical and Electronic Components

Click to view similar products for [Knobs & Dials](#) category:

Click to view products by [Logilink](#) manufacturer:

Other Similar products are found below :

[61-9028.20](#) [61-9028.9](#) [8529](#) [8573](#) [9-1437622-4](#) [11K5015-EMNB](#) [11K5019-ECNB](#) [11K5020-KLAB](#) [11K5028-JMNG](#) [11K5048-KMNB](#)
[11K5014-EMNB](#) [11K5015-EMNG](#) [11K5019-EMNB](#) [11K5029-KMNG](#) [P400S-08-D6-N](#) [K6510](#) [KNSL500B1/8](#) [AL811BA18](#) [420031B18](#)
[5006](#) [KB700BA1/4](#) [KS700B14](#) [411](#) [4-1437621-3](#) [420065A14AL](#) [5149A](#) [028-1-11](#) [52-928.20](#) [52-928.60](#) [52-928.9](#) [8517](#) [8546](#) [8570](#) [8572](#)
[H-516-3A](#) [P861H-0X-S6](#) [8544](#) [11K5014-JMNG](#) [11K5014-KMNG](#) [11K5014-ECNG](#) [5700E](#) [KA500B18](#) [KFS600B14](#) [KN900AB14](#)
[KFS500B14](#) [KNS501B18](#) [PKD60B1018](#) [PK1100B18](#) [PKES140B14](#) [PKES150B14](#)