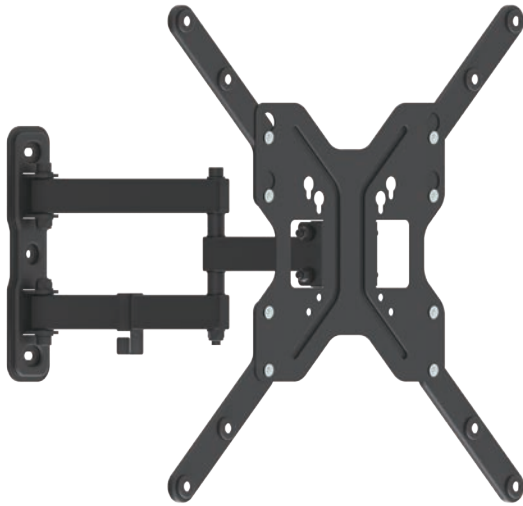


LogiLink®

Full Motion TV Wall Mount for 23"-55" TV

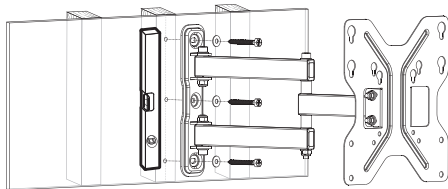
Art. No.: BP0016



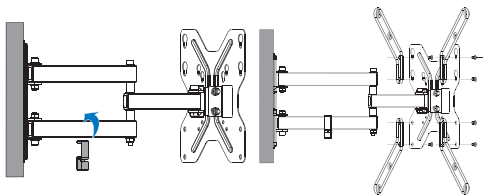
Easy installation design, compatible with VESA standard max. 400x400mm.

Features:

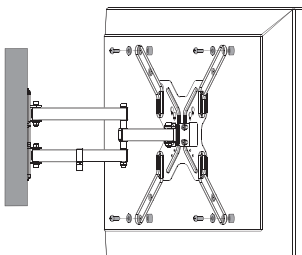
- » Super strong mounting brackets: Solid-reinforced Cold Steel, durable product with maximum capacity of 30kg
- » 49mm-395mm Profile from wall with Tilt capacity: 15°~ -15° and Swivel capacity: 90°~ -90°
- » Compatible with VESA 75x75mm, 100x100mm, 200x100mm, 200x200mm, 300x300mm, 400x400mm
- » Key hole VESA plate allows TVs to be easily installed
- » Cable clips included keep cables organized
- » Fit for 23-55 inch LED LCD plasma TV, PC Monitor screens



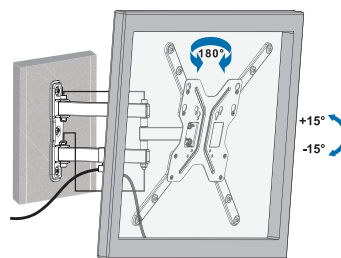
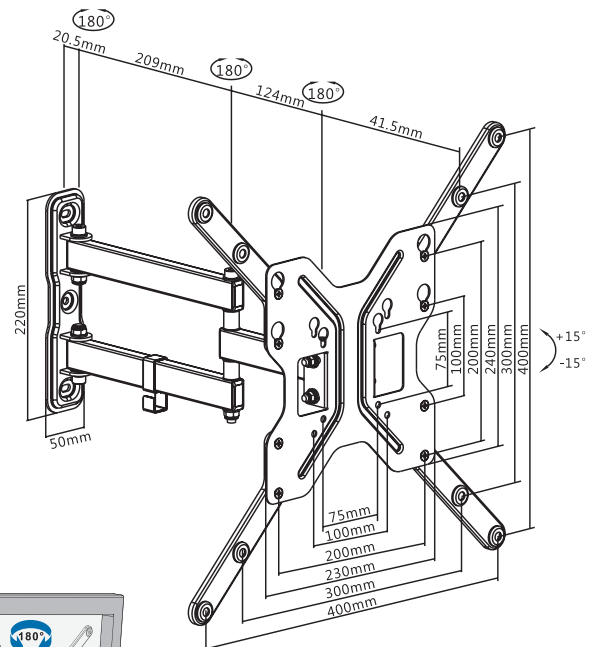
Install the wall plate to the wall



Assembly the wall mount



Install the wall mount to back of the TV



Install the wall mount to back of the TV



RoHS
compliant

* The specifications and pictures are subject to change without notice.
* All trade names referenced are the registered namework of their respective owners.



BP0016



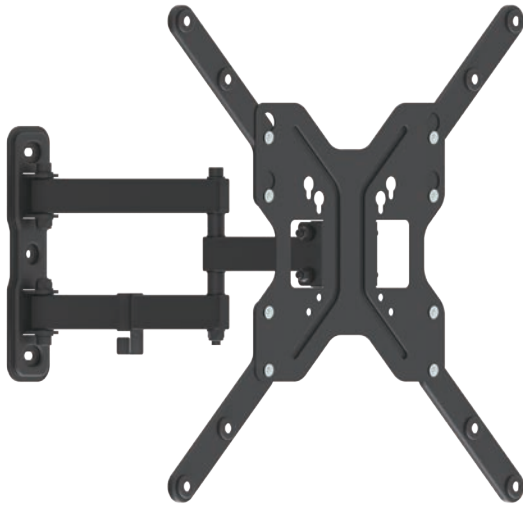
4 052792 042634

Made in China

LogiLink®

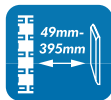
Full Motion TV Wall Mount for 23"-55" TV

Art. No.: BP0016



Specification:

Screen Size	23"-55"
Rated Load	30kg/66lbs
VESA	75x75, 100x100, 200x100, 200x200, 300x300, 400x400
Tilt	15°~-15°
Swivel	90°~-90°
Distance to the wall	49-395mm
Product Size	400 x 400 x 395mm



Package Contents:

- » 1 x TV Wall Mount
- » 1 x Screw Package
- » 1 x User Manual

Package Informations:

- » Packing Dimension: 265 x 245 x 63mm
- » Packing Weight: 2.49kg
- » Carton Dimension: 535 x 280 x 260mm
- » Carton Q'ty: 8pcs
- » Carton Weight: 20.6kg



This product is designed to be installed on wood stud walls, solid concrete walls or brick walls. Make sure that the supporting surface will safely support the combined weight of the equipment and all attached hardware and components. This product is intended for indoor use only. Using this product outdoors could lead to product failure and personal injury.



RoHS
compliant

* The specifications and pictures are subject to change without notice.
* All trade names referenced are the registered namework of their respective owners.



BP0016



Made in China

Best Connectivity

X-ON Electronics

Largest Supplier of Electrical and Electronic Components

Click to view similar products for [Knobs & Dials](#) category:

Click to view products by [Logilink](#) manufacturer:

Other Similar products are found below :

[61-9028.20](#) [61-9028.9](#) [8529](#) [8573](#) [9-1437622-4](#) [11K5015-EMNB](#) [11K5019-ECNB](#) [11K5020-KLAB](#) [11K5028-JMNG](#) [11K5048-KMNB](#)
[11K5014-EMNB](#) [11K5015-EMNG](#) [11K5019-EMNB](#) [11K5029-KMNG](#) [P400S-08-D6-N](#) [K6510](#) [KNSL500B1/8](#) [AL811BA18](#) [420031B18](#)
[5006](#) [KB700BA1/4](#) [KS700B14](#) [411](#) [4-1437621-3](#) [420065A14AL](#) [5149A](#) [028-1-11](#) [52-928.20](#) [52-928.60](#) [52-928.9](#) [8517](#) [8546](#) [8570](#) [8572](#)
[H-516-3A](#) [P861H-0X-S6](#) [8544](#) [11K5014-JMNG](#) [11K5014-KMNG](#) [11K5014-ECNG](#) [5700E](#) [KA500B18](#) [KFS600B14](#) [KN900AB14](#)
[KFS500B14](#) [KNS501B18](#) [PKD60B1018](#) [PK1100B18](#) [PKES140B14](#) [PKES150B14](#)