

LogiLink®

Tilt TV Wall Mount for 37"- 70" TV

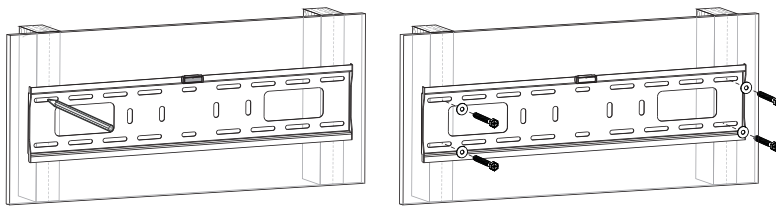
Art. No.: BP0018



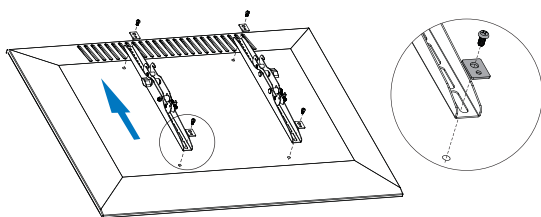
Easy installation and compatible with VESA standard max. 600x400mm.

Features:

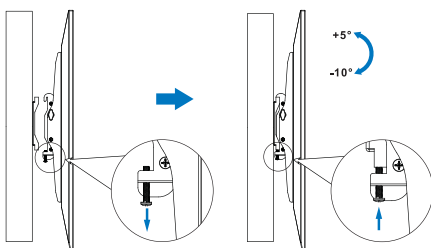
- » Super strong mounting brackets: Solid-reinforced Cold Steel, durable product with maximum capacity of 50kg
- » 56mm Profile from wall and Tilt Capacity: $-10^{\circ}\sim 5^{\circ}$
- » Compatible with VESA 200x200mm, 400x200mm, 300x300mm, 400x400mm, 600x400mm
- » Easy to install
- » Fit for 37-70 inch LED LCD plasma TV, PC Monitor screens



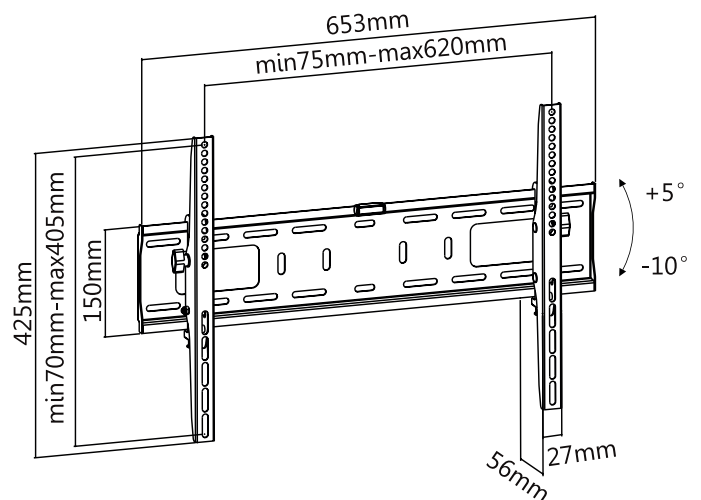
Install the wall plate to the wall



Install the wall mount to back of the TV



Apply the TV with wall mount to the wall plate



RoHS
compliant

* The specifications and pictures are subject to change without notice.
* All trade names referenced are the registered trademark of their respective owners.



Made in China

LogiLink®

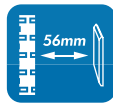


Tilt TV Wall Mount for 37" - 70" TV

Art. No.: BP0018

Specification:

Screen Size	37"-70"
Rated Load	50kg/110lbs
VESA	200x200, 400x200, 300x300, 400x400, 600x400
Tilt	-10°~5°
Distance to the wall	56mm
Product Size	653 x 425 x 56mm



Package Contents:

- » 1 x TV Wall Mount
- » 1 x Screw Package
- » 1 x Bubble Level
- » 1 x User Manual

Package Informations:

- » Packing Dimension: 675 x 155 x 65mm
- » Packing Weight: 2.64kg
- » Carton Dimension: 690 x 283 x 330mm
- » Carton Q'ty: 8pcs
- » Carton Weight: 22.1kg



This product is designed to be installed on wood stud walls, solid concrete walls or brick walls. Make sure that the supporting surface will safely support the combined weight of the equipment and all attached hardware and components. This product is intended for indoor use only. Using this product outdoors could lead to product failure and personal injury.



RoHS
compliant

* The specifications and pictures are subject to change without notice.
* All trade names referenced are the registered trademark of their respective owners.



BP0018



4 052792 042658

Made in China

X-ON Electronics

Largest Supplier of Electrical and Electronic Components

Click to view similar products for [Knobs & Dials](#) category:

Click to view products by [Logilink](#) manufacturer:

Other Similar products are found below :

[61-9028.20](#) [61-9028.9](#) [8529](#) [8573](#) [9-1437622-4](#) [11K5015-EMNB](#) [11K5019-ECNB](#) [11K5020-KLAB](#) [11K5028-JMNG](#) [11K5048-KMNB](#)
[11K5014-EMNB](#) [11K5015-EMNG](#) [11K5019-EMNB](#) [11K5029-KMNG](#) [P400S-08-D6-N](#) [K6510](#) [KNSL500B1/8](#) [AL811BA18](#) [420031B18](#)
[5006](#) [KB700BA1/4](#) [KS700B14](#) [411](#) [4-1437621-3](#) [420065A14AL](#) [5149A](#) [028-1-11](#) [52-928.20](#) [52-928.60](#) [52-928.9](#) [8517](#) [8546](#) [8570](#) [8572](#)
[H-516-3A](#) [P861H-0X-S6](#) [8544](#) [11K5014-JMNG](#) [11K5014-KMNG](#) [11K5014-ECNG](#) [5700E](#) [KA500B18](#) [KFS600B14](#) [KN900AB14](#)
[KFS500B14](#) [KNS501B18](#) [PKD60B1018](#) [PK1100B18](#) [PKES140B14](#) [PKES150B14](#)