

LogiLink®

Monitor Mount Stand with Adjustable Arm for 13"-27" Monitor

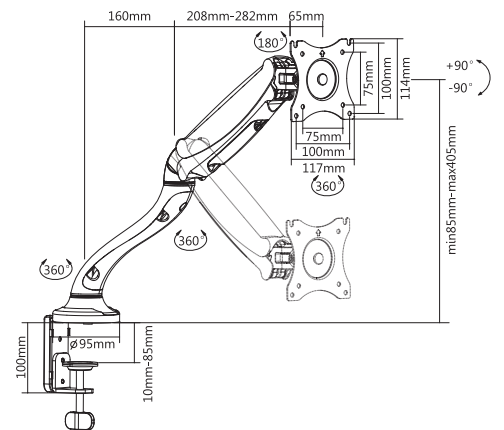
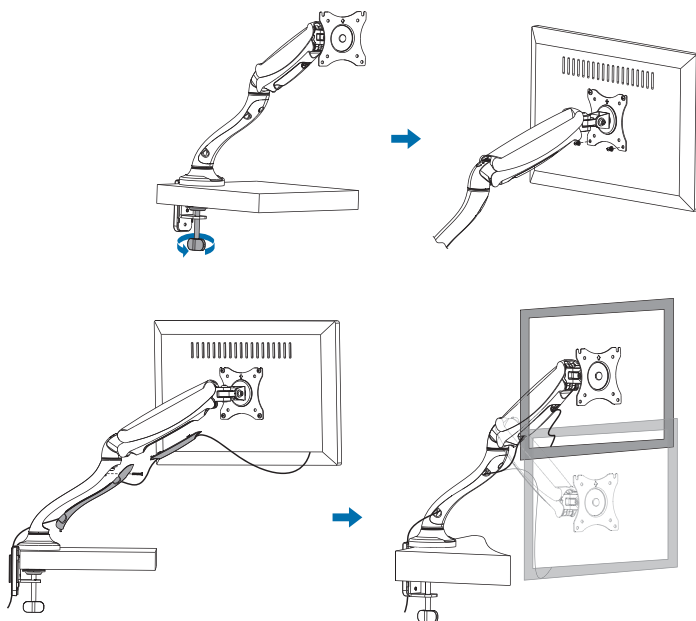
Art. No.: BP0023



Easy installation and compatible with VESA standard max. 100x100mm

Features:

- » Super strong mounting brackets: Solid-reinforced Cold Steel, durable product with maximum capacity of 6kg
- » Maximum arm extension length is 442mm, Tilt capacity: 90°~ -90°, Swivel capacity: 90°~ -90° and Rotation capacity: 180°~ -180°
- » Compatible with VESA 75x75mm, 100x100mm
- » Gas spring offers adjustable counterbalance to the direction of the monitor
- » Built-in spring gauge can adjust various monitor weights
- » Easy cable management inside the adjustable arms
- » Easy to install and height adjustable
- » Clamp and grommet mount included
- » Fit for 13-27 inch LCD Monitor



BP0023



4 052792 042702

Made in China



RoHS
compliant

* The specifications and pictures are subject to change without notice.
* All trade names referenced are the registered trademark of their respective owners.

Best Connectivity

LogiLink®

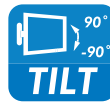
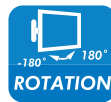
Monitor Mount Stand with Adjustable Arm for 13"-27" Monitor

Art. No.: BP0023



Specification:

Screen Size	13"-27"
Rated Load	6kg/13.2lbs
VESA	75x75, 100x100
Installation	Clamp, Desk mount
Tilt	90°~-90°
Swivel	90°~-90°
Rotate	180°~-180°
Arm Extend	442mm
Clamp Thickness	10mm-85mm
Product Size	500 x 590 x 117mm



Package Contents:

- » 1 x Monitor Mount Stand
- » 1 x Screw Package
- » 1 x User Manual

Package Informations:

- » Packing Dimension: 390 x 255 x 123mm
- » Packing Weight: 3.08kg
- » Carton Dimension: 758 x 410 x 275mm
- » Carton Q'ty: 6pcs
- » Carton Weight: 19.4kg



This product is designed to be installed on wood stud walls, solid concrete walls or brick walls. Make sure that the supporting surface will safely support the combined weight of the equipment and all attached hardware and components. This product is intended for indoor use only. Using this product outdoors could lead to product failure and personal injury.



BP0023



4 052792 042702

Made in China



RoHS compliant

* The specifications and pictures are subject to change without notice.
*All trade names referenced are the registered trademark of their respective owners.

X-ON Electronics

Largest Supplier of Electrical and Electronic Components

Click to view similar products for [Modules Accessories](#) category:

Click to view products by [Logilink](#) manufacturer:

Other Similar products are found below :

[7010-0001](#) [F1UL16RISER2](#) [PEX-CABLEAD-KIT-8732](#) [AX98219](#) [iRIS-1010-R10](#) [A1UL8RISER](#) [F1UJPMICRISER](#) [FHW1U16RISER](#) [20-101-0440](#) [MBCDROM](#) [AX61221TM](#) [VM-105](#) [1000-PM](#) [76000958](#) [XPC100A002-01-B](#) [690-1002](#) [96HD500G-ST-WD7KE](#) [AMO-R022E](#) [RK-210E-B](#) [cPCIS-6400UA/AC](#) [E226171106](#) [AX60501WB](#) [88606200030E](#) [96RACK-3-SS-CR-B1](#) [UTC-300P-M10E](#) [UNO-2000G-VMKAE](#) [SI-HDMI-EDID-EM](#) [96HD3T-ST-SG7K](#) [AMO-I013E](#) [S10A-93-S10A6-001](#) [PWS-870-UCOVER00E](#) [PWS-770-VMOUNT00E](#) [PWS-870-CHDC00E](#) [MIT-W101-ACCDSW01E](#) [MIC-75M40-00A1E](#) [MIC-75M13-00A1E](#) [FPM-1000T-SMKE](#) [ASMB-FF404-04A1E](#) [AMK-V008E](#) [AMK-V005E](#) [AMK-R004E](#) [9896025601E](#) [96HD1TB-ST-WD7KE1](#) [96FMCF-ST2ADAPTER1](#) [9680015843](#) [1960030475S200](#) [1931031500](#) [AHWKPTP12GBGB](#) [850-13106](#) [P4304XXMUXX](#)