

# LogiLink®



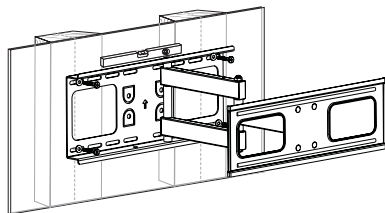
## Full Motion Wall Mount for 37"- 70" TV

Art. No.: BP0028

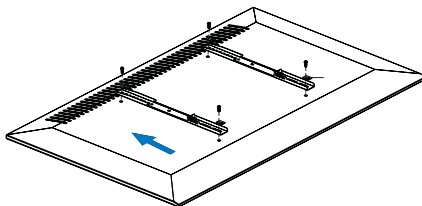
Easy installation and compatible with VESA standard max. 600x400mm.

### Features:

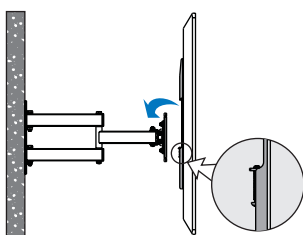
- » Super strong mounting brackets: Solid-reinforced Cold Steel, durable product with maximum capacity of 50kg
- » 62mm-475mm Profile from wall with Tilt capacity: 10°~-20°, Swivel capacity: 90°~-90° and Level Adjustment: 3°~-3°
- » Compatible with VESA 200x200mm, 400x200mm, 300x300mm, 400x400mm, 600x400mm
- » Easy to install with direction indicator
- » Cable clips included keep cables organized
- » Fit for 37-70 inch LED LCD plasma TV, PC Monitor screens



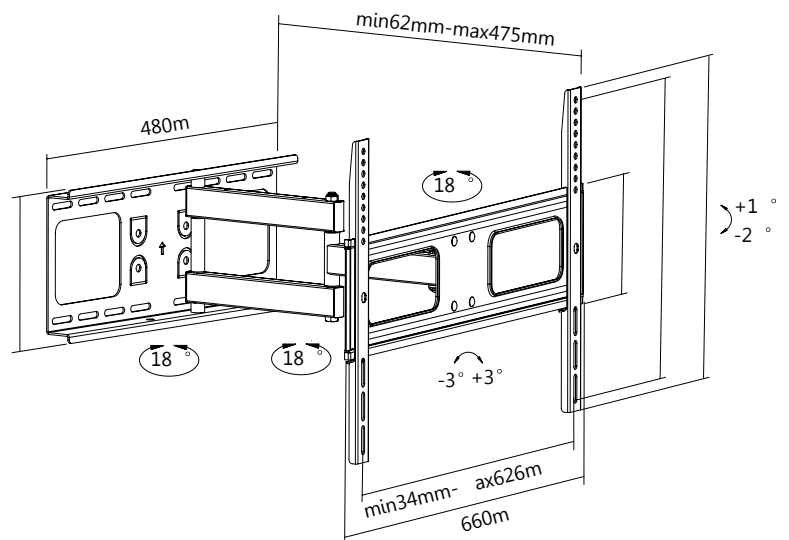
Install the wall plate to the wall



Install the wall mount to back of the TV



Apply the TV with wall mount to the wall plate



RoHS  
compliant

\* The specifications and pictures are subject to change without notice.  
\*All trade names referenced are the registered namework of their respective owners.



BP0028



4 052792 042757

Made in China

# LogiLink®

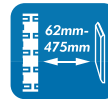
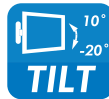


## Full Motion Wall Mount for 37"- 70" TV

Art. No.: BP0028

### Specification:

Screen Size	37"-70"
Rated Load	50kg/110lbs
VESA	200x200, 400x200, 300x300, 400x400, 600x400
Tilt	10°~-20°
Swivel	90°~-90°
Level Adjustment	3°~-3°
Distance to the wall	62-475mm
Product Size	660 x 480 x 475mm



### Package Contents:

- » 1 x TV Wall Mount
- » 1 x Screw Package
- » 1 x User Manual

### Package Informations:

- » Packing Dimension: 700 x 220 x 65mm
- » Packing Weight: 5.85kg
- » Carton Dimension: 720 x 240 x 215mm
- » Carton Q'ty: 3pcs
- » Carton Weight: 20kg



This product is designed to be installed on wood stud walls, solid concrete walls or brick walls. Make sure that the supporting surface will safely support the combined weight of the equipment and all attached hardware and components. This product is intended for indoor use only. Using this product outdoors could lead to product failure and personal injury.



RoHS  
compliant

\* The specifications and pictures are subject to change without notice.  
\*All trade names referenced are the registered namework of their respective owners.



BP0028



4 052792 042757

Made in China

## X-ON Electronics

Largest Supplier of Electrical and Electronic Components

*Click to view similar products for [Knobs & Dials](#) category:*

*Click to view products by [Logilink](#) manufacturer:*

Other Similar products are found below :

[61-9028.20](#) [61-9028.9](#) [8529](#) [8573](#) [9-1437622-4](#) [11K5015-EMNB](#) [11K5019-ECNB](#) [11K5020-KLAB](#) [11K5028-JMNG](#) [11K5048-KMNB](#)  
[11K5014-EMNB](#) [11K5015-EMNG](#) [11K5019-EMNB](#) [11K5029-KMNG](#) [P400S-08-D6-N](#) [K6510](#) [KNSL500B1/8](#) [AL811BA18](#) [420031B18](#)  
[5006](#) [KB700BA1/4](#) [KS700B14](#) [411](#) [4-1437621-3](#) [420065A14AL](#) [5149A](#) [028-1-11](#) [52-928.20](#) [52-928.60](#) [52-928.9](#) [8517](#) [8546](#) [8570](#) [8572](#)  
[H-516-3A](#) [P861H-0X-S6](#) [8544](#) [11K5014-JMNG](#) [11K5014-KMNG](#) [11K5014-ECNG](#) [5700E](#) [KA500B18](#) [KFS600B14](#) [KN900AB14](#)  
[KFS500B14](#) [KNS501B18](#) [PKD60B1018](#) [PK1100B18](#) [PKES140B14](#) [PKES150B14](#)