

LogiLink®



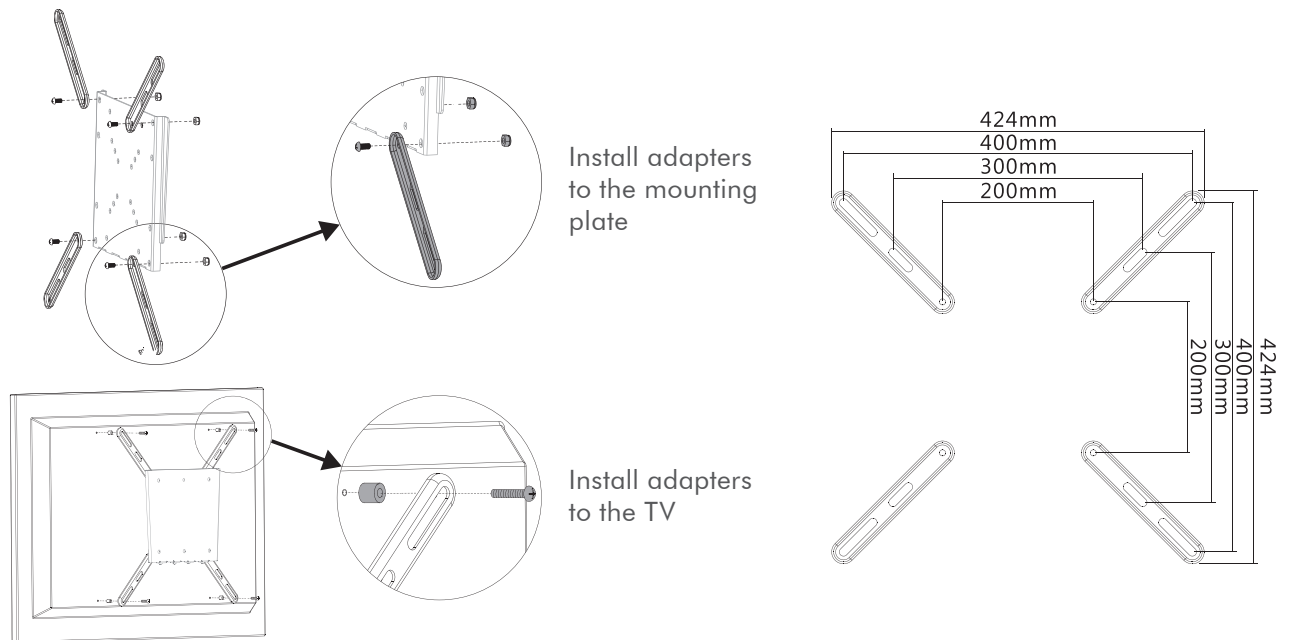
VESA Adapter for 32"-55" TV

Art. No.: BP0029

Allowing VESA 200 x 200mm compatible mounting plates to support TVs with VESA 400x400mm hole patterns.

Features:

- » Super strong mounting brackets: Solid-reinforced Cold Steel, durable product with maximum capacity of 30kg
- » Compatible with VESA 300x300mm, 400x200mm, 400x400mm
- » Easy to install
- » Fit for 32-55 inch LED LCD plasma TV, PC Monitor screens



Specification:

Screen Size	32"-55"
Rated Load	30kg/66lbs
VESA	300 x 300mm, 400 x 400mm
Max.Hole Pattern	400 x 400mm
Product Size	165 x 24mm



BP0029



4 052792 042788

Made in China



RoHS
compliant

* The specifications and pictures are subject to change without notice.
*All trade names referenced are the registered namework of their respective owners.

Best
Connectivity

LogiLink®



VESA Adapter for 32"-55" TV

Art. No.: BP0029



Package Contents:

- » 1 x VESA Adapter
- » 1 x Screw Package
- » 1 x User Manual

Package Informations:

- » Packing Dimension: 175 x 70 x 35mm
- » Packing Weight: 0.4kg
- » Carton Dimension: 370 x 220 x 380mm
- » Carton Q'ty: 50pcs
- » Carton Weight: 20.5kg

 Make sure that the supporting surface will safely support the combined weight of the equipment and all attached hardware and components. This product is intended for indoor use only. Using this product outdoors could lead to product failure and personal injury.



BP0029



4 052792 042788

Made in China



RoHS
compliant

* The specifications and pictures are subject to change without notice.
* All trade names referenced are the registered namework of their respective owners.

Best Connectivity

X-ON Electronics

Largest Supplier of Electrical and Electronic Components

Click to view similar products for [Knobs & Dials](#) category:

Click to view products by [Logilink](#) manufacturer:

Other Similar products are found below :

[61-9028.20](#) [61-9028.9](#) [8529](#) [8573](#) [9-1437622-4](#) [11K5015-EMNB](#) [11K5019-ECNB](#) [11K5020-KLAB](#) [11K5028-JMNG](#) [11K5048-KMNB](#)
[11K5014-EMNB](#) [11K5015-EMNG](#) [11K5019-EMNB](#) [11K5029-KMNG](#) [P400S-08-D6-N](#) [K6510](#) [KNSL500B1/8](#) [AL811BA18](#) [420031B18](#)
[5006](#) [KB700BA1/4](#) [KS700B14](#) [411](#) [4-1437621-3](#) [420065A14AL](#) [5149A](#) [028-1-11](#) [52-928.20](#) [52-928.60](#) [52-928.9](#) [8517](#) [8546](#) [8570](#) [8572](#)
[H-516-3A](#) [P861H-0X-S6](#) [8544](#) [11K5014-JMNG](#) [11K5014-KMNG](#) [11K5014-ECNG](#) [5700E](#) [KA500B18](#) [KFS600B14](#) [KN900AB14](#)
[KFS500B14](#) [KNS501B18](#) [PKD60B1018](#) [PK1100B18](#) [PKES140B14](#) [PKES150B14](#)