

# LogiLink®



## Aluminum Tabletop Monitor Riser for Laptop and Monitor

Art. No.: BP0033

Ideal for maximizing the available work area in a cramped workstation.

### Features:

- » Durable product with maximum capacity of 20kg
- » Raise monitor to a more comfortable viewing position
- » Anti-slip silicone pads offered for additional stability
- » Provides storage space for desk items

### Specification:

Material	Aluminum
Rated Load	20kg/44lbs
Thickness	5mm
Product Size	400 x 210 x 63mm



Thickness  
**5mm**



Aluminium  
Design

Non-Slip  
silicone  
feet



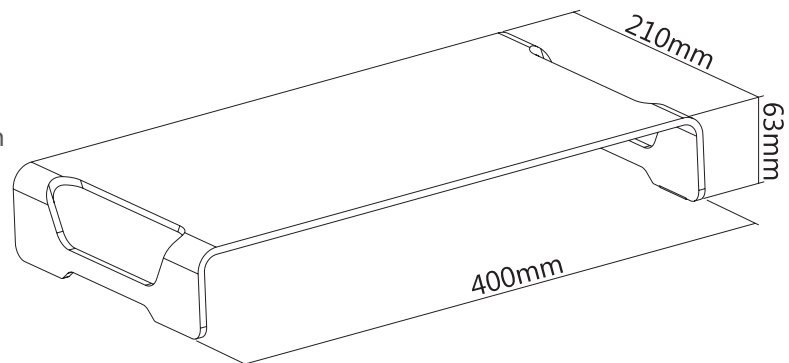
- ◀ Sleek Design
- ◀ Ultra-Slim Design

### Package Contents:

- » 1 x Aluminum Tabletop Monitor Riser

### Package Informations:

- » Packing Dimension: 420 x 235 x 72mm
- » Packing Weight: 1.6kg
- » Carton Dimension: 490 x 435 x 385mm
- » Carton Q'ty: 10pcs
- » Carton Weight: 16.8kg



ⓘ Please download the user manual online at: <http://www.2direct.de/media/other/M-BP0033.pdf>



\* The specifications and pictures are subject to change without notice.  
\* All trade names referenced are the registered trademark of their respective owners.



BP0033



4 052792 046113

Made in China

## X-ON Electronics

Largest Supplier of Electrical and Electronic Components

*Click to view similar products for [Soldering Workstation Equipment](#) category:*

*Click to view products by [Logilink](#) manufacturer:*

Other Similar products are found below :

[FP-BVX](#) [GS1116](#) [2072](#) [BH-010](#) [AC-TX001-4](#) [CA0202](#) [CA0201](#) [AC-TX002-2](#) [MFR-CA3](#) [WXD2N](#) [Q-7100-9000](#) [35456](#) [T0051514699N](#)  
[35457](#) [35450](#) [WS2-NS](#) [T0051512299N](#) [ALFA](#) [T0058757898](#) [T0058768762](#) [T0058744845N](#) [T0051512199N](#) [BL12](#) [145-2000-ESDN](#)  
[T0058758721N](#) [T0058768727N](#) [T0058716743](#) [WXD2020N](#) [T0058768725N](#) [BP0027](#) [CLMU-A8](#) [0352830](#) [FAE1-2A](#) [JBC-JNASE-2A](#)  
[QUICK 860DA](#) [0016344](#) [0T56](#) [CL-SFE/1](#) [FILTERS](#) [PX0410/03P/5055](#) [RA150](#) [10G.SA.0](#) [36A.SA](#) [3C.SA](#) [3.TA](#) [AT850D/P](#) [TMT-HA300](#)  
[TMT-PH200](#) [5-048](#) [5-050](#) [5-051](#)