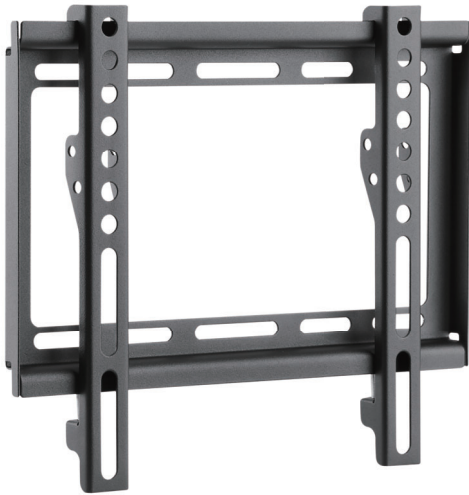


# LogiLink®

## Low Profile TV Wall Mount for 23"-42" TV

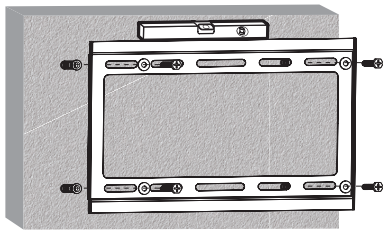
Art. No.: BP0034



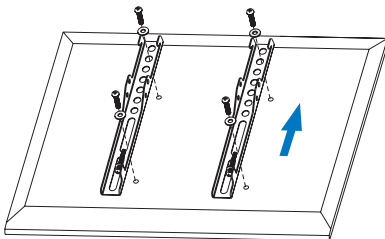
Ultra slim easy installation design, compatible with VESA standard max. 200x200mm.

### Features:

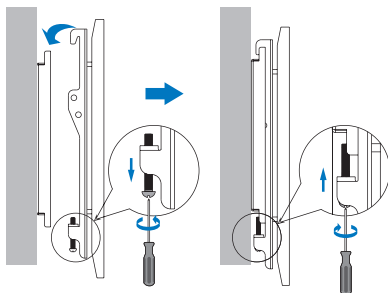
- » Super strong mounting brackets: Durable product with maximum capacity of 35kg
- » Ultra Slim just 20.5mm from the wall
- » Compatible with VESA 50x50mm, 75x75mm, 100x100mm, 200x100mm, 200x200mm
- » Easy to install
- » Fit for 23-42 inch LED LCD plasma TV, PC Monitor screens



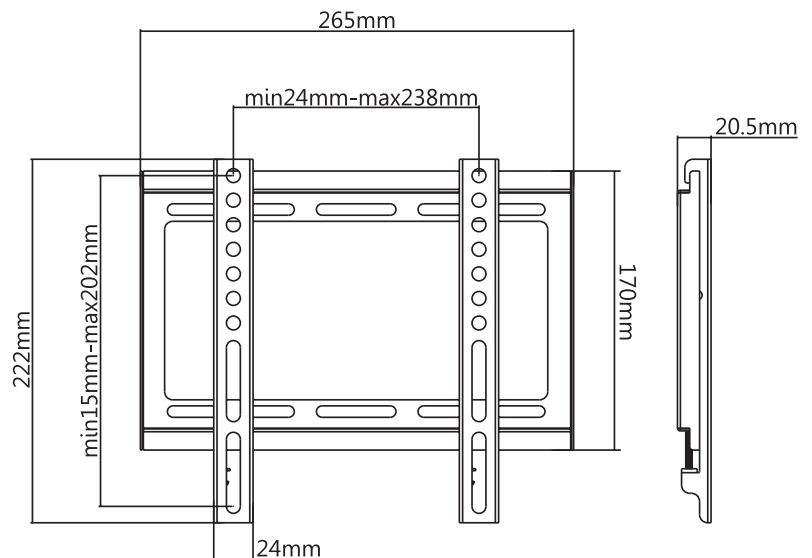
Install the wall plate to the solid wall



Install the wall mount to back of the TV



Apply the TV with wall mount to the wall plate



\* The specifications and pictures are subject to change without notice.  
\* All trade names referenced are the registered trademark of their respective owners.



BP0034



4 052792 046328

Made in China

Best Connectivity

# LogiLink®

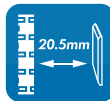
## Low Profile TV Wall Mount for 23"-42" TV

Art. No.: BP0034



### Specification:

Screen Size	23"-42"
Rated Load	35kg/77lbs
VESA	50x50, 75x75, 100x100, 200x100, 200x200
Distance to the wall	20.5mm
Product Size	265 x 222 x 20.5mm



### Package Contents:

- » 1 x TV Wall Mount
- » 1 x Screw Package

### Package Informations:

- » Packing Dimension: 270 x 175 x 25mm
- » Packing Weight: 0.58kg
- » Carton Dimension: 565 x 355 x 195mm
- » Carton Q'ty: 26pcs
- » Carton Weight: 16.5kg

- ⚠ Please find out the weight and mounting hole distance of your TV before selecting a suitable mount.
- ⚠ Please download the user manual online at: <http://www.2direct.de/media/other/M-BP0034.pdf>



\* The specifications and pictures are subject to change without notice.  
\* All trade names referenced are the registered trademark of their respective owners.



Made in China

## X-ON Electronics

Largest Supplier of Electrical and Electronic Components

*Click to view similar products for [Knobs & Dials](#) category:*

*Click to view products by [Logilink](#) manufacturer:*

Other Similar products are found below :

[61-9028.20](#) [61-9028.9](#) [8529](#) [8573](#) [9-1437622-4](#) [11K5015-EMNB](#) [11K5019-ECNB](#) [11K5020-KLAB](#) [11K5028-JMNG](#) [11K5048-KMNB](#)  
[11K5014-EMNB](#) [11K5015-EMNG](#) [11K5019-EMNB](#) [11K5029-KMNG](#) [P400S-08-D6-N](#) [K6510](#) [KNSL500B1/8](#) [AL811BA18](#) [420031B18](#)  
[5006](#) [KB700BA1/4](#) [KS700B14](#) [411](#) [4-1437621-3](#) [420065A14AL](#) [5149A](#) [028-1-11](#) [52-928.20](#) [52-928.60](#) [52-928.9](#) [8517](#) [8546](#) [8570](#) [8572](#)  
[H-516-3A](#) [P861H-0X-S6](#) [8544](#) [11K5014-JMNG](#) [11K5014-KMNG](#) [11K5014-ECNG](#) [5700E](#) [KA500B18](#) [KFS600B14](#) [KN900AB14](#)  
[KFS500B14](#) [KNS501B18](#) [PKD60B1018](#) [PK1100B18](#) [PKES140B14](#) [PKES150B14](#)