

# LogiLink®

## Low Profile TV Wall Mount for 32"-55" TV

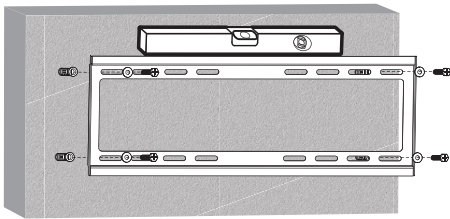
Art. No.: BP0036



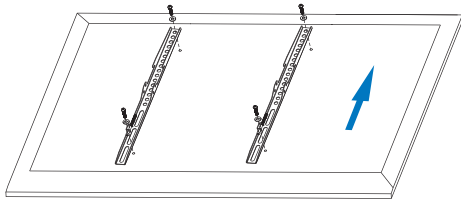
Easy installation and compatible with VESA standard max. 400 x 400mm.

### Features:

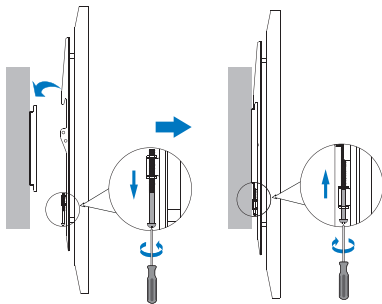
- » Super strong mounting brackets: Solid-reinforced Cold Steel, durable product with maximum capacity of 35kg
- » 20.5mm Profile from wall
- » Compatible with VESA 200x200mm, 400x200mm, 300x300mm, 400x400mm
- » Easy to install
- » Fit for 32-55 inch LED LCD plasma TV, PC Monitor screens



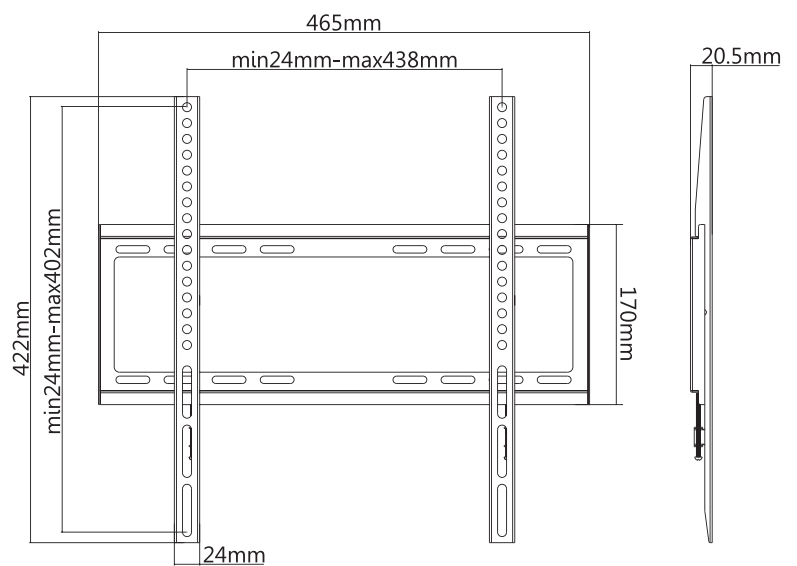
Install the wall plate to the Solid wall or Double Stud wall



Install the wall mount to back of the TV



Apply the TV with wall mount to the wall plate



BP0036



4 052792 046342

Made in China



\* The specifications and pictures are subject to change without notice.  
\* All trade names referenced are the registered trademark of their respective owners.

Best Connectivity

# LogiLink®

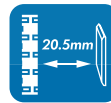
## Low Profile TV Wall Mount for 32"-55" TV

Art. No.: BP0036



### Specification:

Screen Size	32"-55"
Rated Load	35kg/77lbs
VESA	200x200, 400x200, 300x300, 400x400
Distance to the wall	20.5mm
Product Size	465 x 422 x 20.5mm



### Package Contents:

- » 1 x TV Wall Mount
- » 1 x Screw Package

### Package Informations:

- » Packing Dimension: 470 x 175 x 25mm
- » Packing Weight: 0.9kg
- » Carton Dimension: 490 x 430 x 195mm
- » Carton Q'ty: 16pcs
- » Carton Weight: 15.6kg

- ⚠ Please find out the weight and mounting hole distance of your TV before selecting a suitable mount.
- ⚠ Please download the user manual online at: <http://www.2direct.de/media/other/M-BP0036.pdf>



\* The specifications and pictures are subject to change without notice.  
\* All trade names referenced are the registered trademark of their respective owners.



Made in China

## X-ON Electronics

Largest Supplier of Electrical and Electronic Components

*Click to view similar products for [Knobs & Dials](#) category:*

*Click to view products by [Logilink](#) manufacturer:*

Other Similar products are found below :

[61-9028.20](#) [61-9028.9](#) [8529](#) [8573](#) [9-1437622-4](#) [11K5015-EMNB](#) [11K5019-ECNB](#) [11K5020-KLAB](#) [11K5028-JMNG](#) [11K5048-KMNB](#)  
[11K5014-EMNB](#) [11K5015-EMNG](#) [11K5019-EMNB](#) [11K5029-KMNG](#) [P400S-08-D6-N](#) [K6510](#) [KNSL500B1/8](#) [AL811BA18](#) [420031B18](#)  
[5006](#) [KB700BA1/4](#) [KS700B14](#) [411](#) [4-1437621-3](#) [420065A14AL](#) [5149A](#) [028-1-11](#) [52-928.20](#) [52-928.60](#) [52-928.9](#) [8517](#) [8546](#) [8570](#) [8572](#)  
[H-516-3A](#) [P861H-0X-S6](#) [8544](#) [11K5014-JMNG](#) [11K5014-KMNG](#) [11K5014-ECNG](#) [5700E](#) [KA500B18](#) [KFS600B14](#) [KN900AB14](#)  
[KFS500B14](#) [KNS501B18](#) [PKD60B1018](#) [PK1100B18](#) [PKES140B14](#) [PKES150B14](#)