

LogiLink®

Low Profile TV Wall Mount for 37"- 70" TV

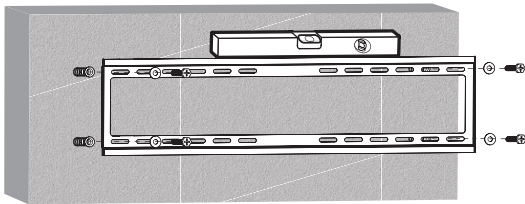
Art. No.: BP0038



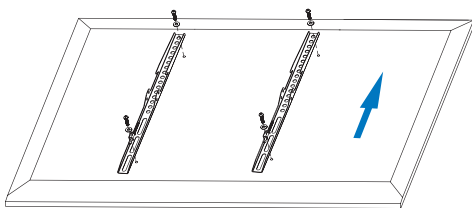
Easy installation and compatible with VESA standard max. 600 x 400mm.

Features:

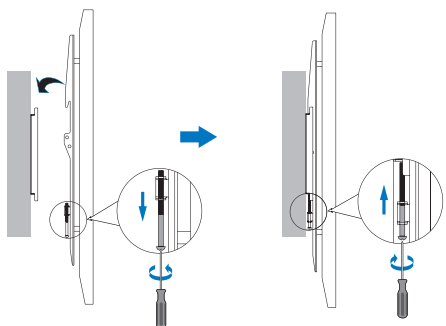
- » Super strong mounting brackets: Solid-reinforced Cold Steel, durable product with maximum capacity of 35kg
- » 20.5mm Profile from wall
- » Compatible with VESA 200x200mm, 400x200mm, 300x300mm, 400x400mm, 600x400mm
- » Easy to install
- » Fit for 37-70 inch LED LCD plasma TV, PC Monitor screens



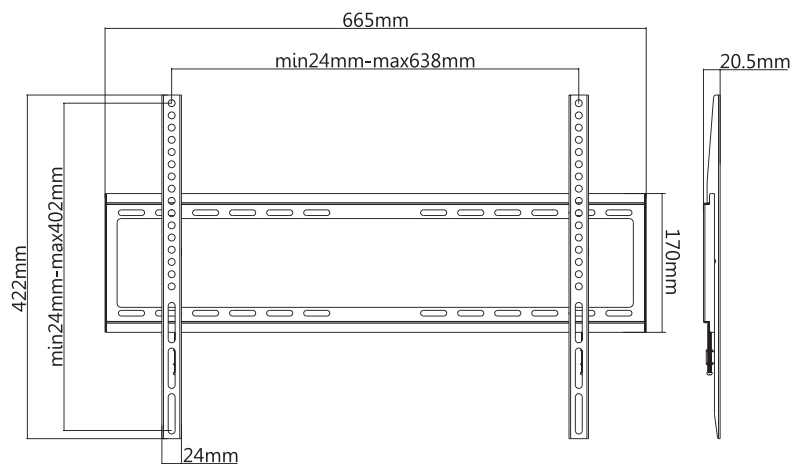
Install the wall plate to the Solid wall or Double Stud wall



Install the wall mount to back of the TV



Apply the TV with wall mount to the wall plate



* The specifications and pictures are subject to change without notice.
* All trade names referenced are the registered trademark of their respective owners.



BP0038



Made in China

Best Connectivity

LogiLink®

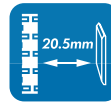


Low Profile TV Wall Mount for 37"- 70" TV

Art. No.: BP0038

Specification:

Screen Size	37"-70"
Rated Load	35kg/77lbs
VESA	200x200, 400x200, 300x300, 400x400, 600x400
Distance to the wall	20.5mm
Product Size	665 x 422 x 20.5mm



Package Contents:

- » 1 x TV Wall Mount
- » 1 x Screw Package

Package Informations:

- » Packing Dimension: 670 x 175 x 25mm
- » Packing Weight: 1.08kg
- » Carton Dimension: 690 x 380 x 195mm
- » Carton Q'ty: 14pcs
- » Carton Weight: 17.4kg

- ⚠ Please find out the weight and mounting hole distance of your TV before selecting a suitable mount.
- ⚠ Please download the user manual online at: <http://www.2direct.de/media/other/M-BP0038.pdf>



* The specifications and pictures are subject to change without notice.
* All trade names referenced are the registered trademark of their respective owners.



BP0038



4 052792 046366

Made in China

X-ON Electronics

Largest Supplier of Electrical and Electronic Components

Click to view similar products for [Knobs & Dials](#) category:

Click to view products by [Logilink](#) manufacturer:

Other Similar products are found below :

[61-9028.20](#) [61-9028.9](#) [8529](#) [8573](#) [9-1437622-4](#) [11K5015-EMNB](#) [11K5019-ECNB](#) [11K5020-KLAB](#) [11K5028-JMNG](#) [11K5048-KMNB](#)
[11K5014-EMNB](#) [11K5015-EMNG](#) [11K5019-EMNB](#) [11K5029-KMNG](#) [P400S-08-D6-N](#) [K6510](#) [KNSL500B1/8](#) [AL811BA18](#) [420031B18](#)
[5006](#) [KB700BA1/4](#) [KS700B14](#) [411](#) [4-1437621-3](#) [420065A14AL](#) [5149A](#) [028-1-11](#) [52-928.20](#) [52-928.60](#) [52-928.9](#) [8517](#) [8546](#) [8570](#) [8572](#)
[H-516-3A](#) [P861H-0X-S6](#) [8544](#) [11K5014-JMNG](#) [11K5014-KMNG](#) [11K5014-ECNG](#) [5700E](#) [KA500B18](#) [KFS600B14](#) [KN900AB14](#)
[KFS500B14](#) [KNS501B18](#) [PKD60B1018](#) [PK1100B18](#) [PKES140B14](#) [PKES150B14](#)