

LogiLink®

Alumium Monitor Desk Mount with Gas Spring for 13"-32" Flat & Curved Monitor

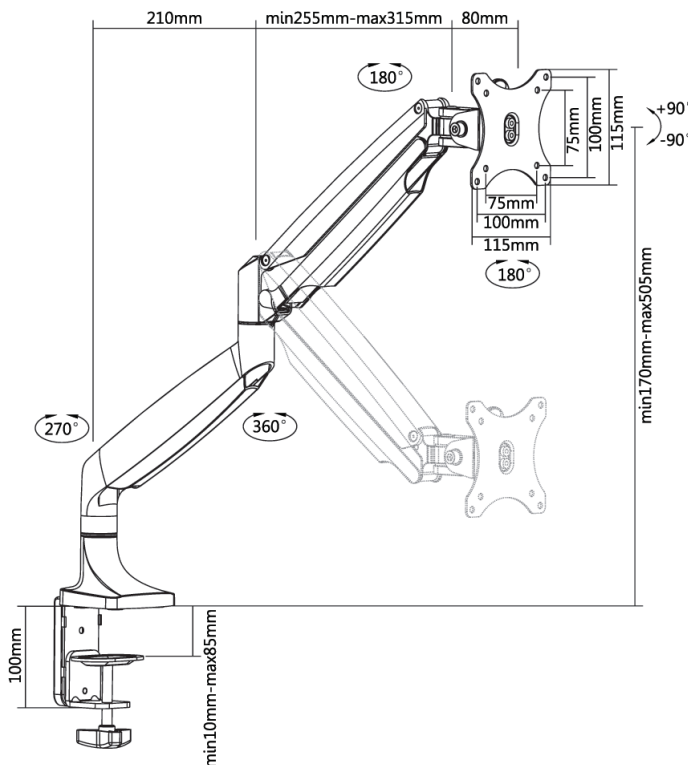
Art. No.: BP0042



Easy installation and compatible with VESA standard max. 100x100mm.

Features:

- » Super strong mounting brackets: Solid-reinforced Cold Steel, durable product with maximum capacity of 9kg
- » Maximum arm extension length is 525mm, Tilt capacity: 90°~-90°, Swivel capacity: 90°~-90° and Rotation capacity: 90°~-90°
- » Compatible with VESA 75x75mm, 100x100mm
- » Gas spring offers adjustable counterbalance to the direction of the monitor
- » Built-in spring gauge can adjust various monitor weights
- » Easy cable management inside the adjustable arms
- » Easy to install and height adjustable
- » Clamp and grommet mount included
- » Fit for 13-32 inch LCD Monitor



* The specifications and pictures are subject to change without notice.
* All trade names referenced are the registered namework of their respective owners.



BP0042



4 052792 046472

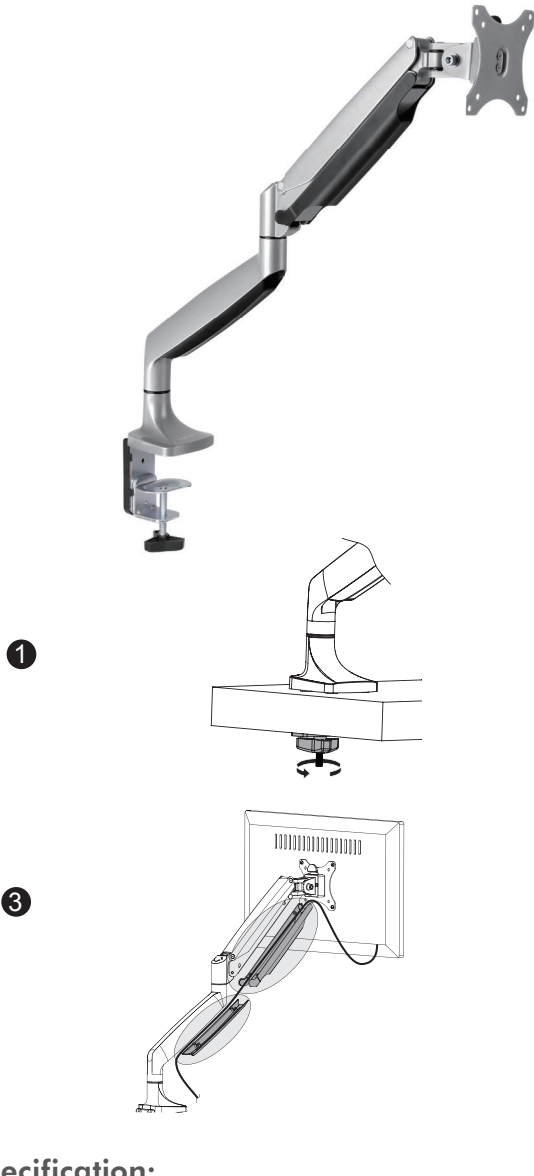
Made in China

Best Connectivity

LogiLink®

Alumium Monitor Desk Mount with Gas Spring for 13"-32" Flat & Curved Monitor

Art. No.: BP0042



Specification:

Screen Size	13"-32"
Rated Load	1-9kg/2.2-19.8lbs
VESA	75x75, 100x100
Arm Extend	525mm
Tilt	90° ~ -90°
Swivel	90° ~ -90°
Rotate	90° ~ -90°
Product Size	115 x 590 x 665mm

Fits
13"-32"
Monitor

VESA
Max.
100x100mm

Arm
Extend
525mm

rated
1-9kg/
2.2-19.8lbs

Gas
Spring
Arm

90°
-90° 90°
ROTATION

90°
-90°
TILT

90°
-90°
SWIVEL

↑
Direction
Indicator

Curved
Monitor

Package Contents:

- » 1 x Alumium Monitor Desk Mount
- » 1 x Screw Package
- » 1 x User Manual

Package Informations:

- » Packing Dimension: 485 x 316 x 112mm
- » Packing Weight: 4.12kg
- » Carton Dimension: 510 x 330 x 475mm
- » Carton Q'ty: 4pcs
- » Carton Weight: 17.5kg

ROHS
compliant

* The specifications and pictures are subject to change without notice.
* All trade names referenced are the registered namework of their respective owners.



4 052792 046472

Made in China

X-ON Electronics

Largest Supplier of Electrical and Electronic Components

Click to view similar products for [Soldering Workstation Equipment](#) category:

Click to view products by [Logilink](#) manufacturer:

Other Similar products are found below :

[FP-BVX](#) [GS1116](#) [2072](#) [BH-010](#) [AC-TX001-4](#) [CA0202](#) [CA0201](#) [AC-TX002-2](#) [MFR-CA3](#) [WXD2N](#) [Q-7100-9000](#) [35456](#) [T0051514699N](#)
[35457](#) [35450](#) [WS2-NS](#) [T0051512299N](#) [ALFA](#) [T0058757898](#) [T0058768762](#) [T0058744845N](#) [T0051512199N](#) [BL12](#) [145-2000-ESDN](#)
[T0058758721N](#) [T0058768727N](#) [T0058716743](#) [WXD2020N](#) [T0058768725N](#) [BP0027](#) [CLMU-A8](#) [0352830](#) [FAE1-2A](#) [JBC-JNASE-2A](#)
[QUICK 860DA](#) [0016344](#) [0T56](#) [CL-SFE/1 FILTERS](#) [PX0410/03P/5055](#) [RA150](#) [10G.SA.0](#) [36A.SA](#) [3C.SA](#) [3.TA](#) [AT850D/P](#) [TMT-HA300](#)
[TMT-PH200](#) [5-048](#) [5-050](#) [5-051](#)