

LogiLink®



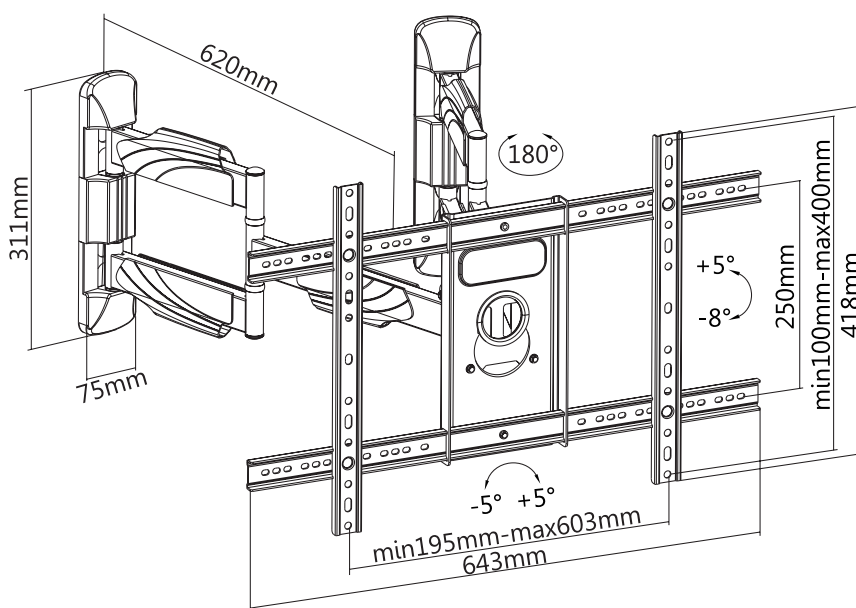
Full Motion Corner TV Wall Mount for 37"-70" Flat & Curved TV

Art. No.: BP0047

Easy corner installation and compatible with VESA standard max. 600x400mm.

Features:

- » Super strong mounting brackets: Solid-reinforced Cold Steel, durable product with maximum capacity of 45kg
- » Tilt capacity: 5°~8°, Swivel capacity: 90°~90° and Level Adjustment: 5°~5°
- » Compatible with VESA 200x200mm, 300x200mm, 300x300mm, 400x200mm, 400x300mm, 400x400, 600x400mm
- » Cornered TV mount design makes corner location no problem
- » Easy to install with direction indicator
- » Cable clips included keep cables organized
- » Fit for 37-70 inch LED LCD plasma TV, PC Monitor screens



Designed to install in the
corner of your room!



* The specifications and pictures are subject to change without notice.
* All trade names referenced are the registered trademark of their respective owners.



BP0047



4 052792 046526

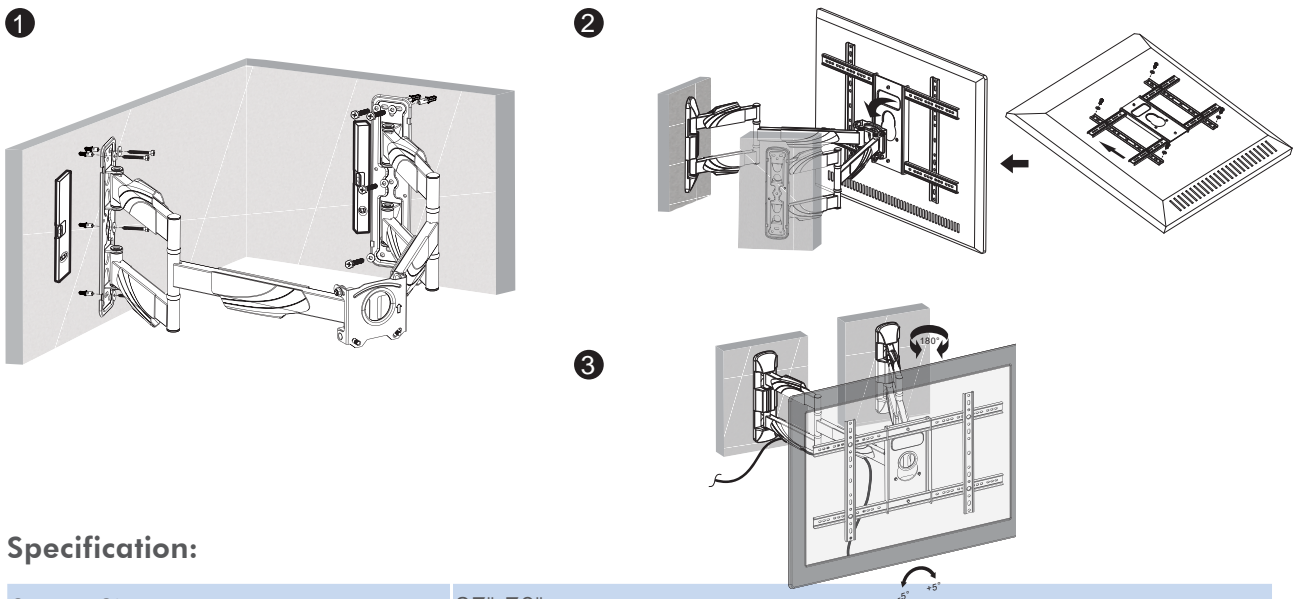
Made in China

Best Connectivity

LogiLink®

Full Motion Corner TV Wall Mount for 37"-70" Flat & Curved TV

Art. No.: BP0047



Specification:

Screen Size	37"-70"
Rated Load	45kg/99lbs
VESA	200x200, 300x200, 300x300, 400x200, 400x300, 400x400, 600x400
Arm Extend	460mm
Tilt	5° ~ -8°
Swivel	90° ~ -90°
Product Size	620 x 643 x 418mm



Package Contents:

- » 1 x TV Wall Mount
- » 1 x Screw Package
- » 1 x User Manual

Package Informations:

- » Packing Dimension: 808 x 322 x 84mm
- » Packing Weight: 7.63kg
- » Carton Dimension: 816 x 330 x 180mm
- » Carton Q'ty: 2pcs
- » Carton Weight: 16.7kg



* The specifications and pictures are subject to change without notice.
* All trade names referenced are the registered namework of their respective owners.



BP0047



4 052792 046526

Made in China

X-ON Electronics

Largest Supplier of Electrical and Electronic Components

Click to view similar products for [Knobs & Dials](#) category:

Click to view products by [Logilink](#) manufacturer:

Other Similar products are found below :

[61-9028.20](#) [61-9028.9](#) [8529](#) [8573](#) [9-1437622-4](#) [11K5015-EMNB](#) [11K5019-ECNB](#) [11K5020-KLAB](#) [11K5028-JMNG](#) [11K5048-KMNB](#)
[11K5014-EMNB](#) [11K5015-EMNG](#) [11K5019-EMNB](#) [11K5029-KMNG](#) [P400S-08-D6-N](#) [K6510](#) [KNSL500B1/8](#) [AL811BA18](#) [420031B18](#)
[5006](#) [KB700BA1/4](#) [KS700B14](#) [411](#) [4-1437621-3](#) [420065A14AL](#) [5149A](#) [028-1-11](#) [52-928.20](#) [52-928.60](#) [52-928.9](#) [8517](#) [8546](#) [8570](#) [8572](#)
[H-516-3A](#) [P861H-0X-S6](#) [8544](#) [11K5014-JMNG](#) [11K5014-KMNG](#) [11K5014-ECNG](#) [5700E](#) [KA500B18](#) [KFS600B14](#) [KN900AB14](#)
[KFS500B14](#) [KNS501B18](#) [PKD60B1018](#) [PK1100B18](#) [PKES140B14](#) [PKES150B14](#)