

# LogiLink®

## Universal Ceiling Projector Mount, 150mm

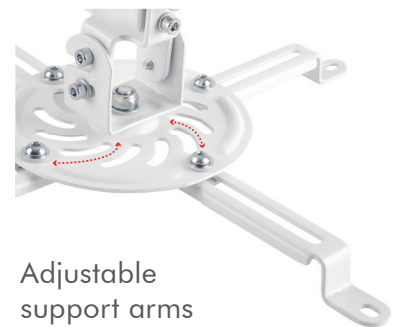
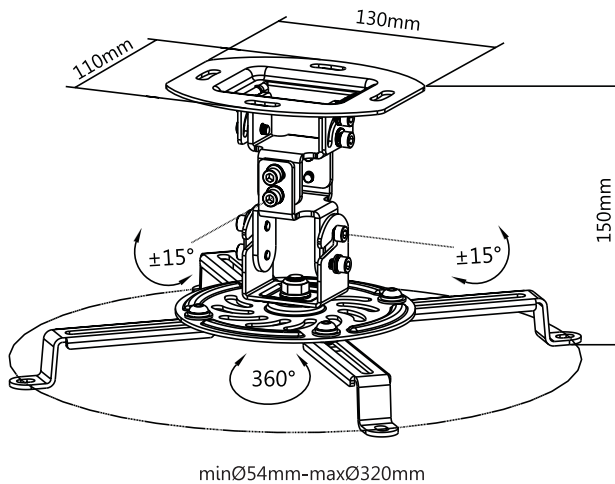
Art. No.: BP0057



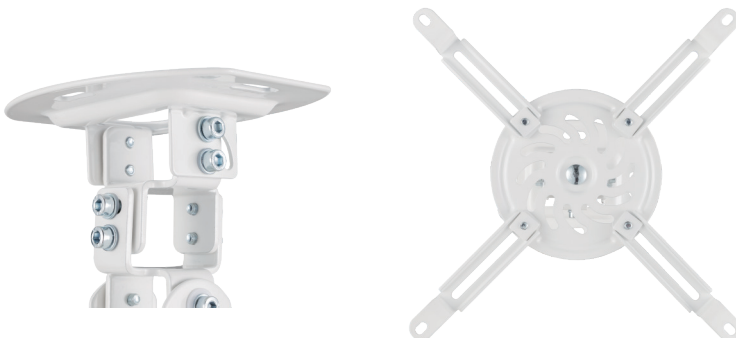
It works for flat ceilings and comes with all the hardware needed for easy installation.

### Features:

- » Fits the projector up to 13.5kg
- » Sturdy and simple design
- » Aluminum construction
- » Works with flat ceilings
- » -15°~15° tilt, -15°~15° swivel, 360° rotate
- » Comes with the mounting hardware
- » Max Equipment Size: Projectors with a range from 54mm to 320mm in diameter



Adjustable support arms



\* The specifications and pictures are subject to change without notice.  
\* All trade names referenced are the registered trademark of their respective owners.



BP0057



4 052792 048186

Made in China

Best Connectivity

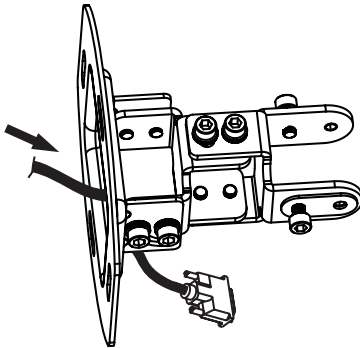
# LogiLink®

## Universal Ceiling Projector Mount, 150mm

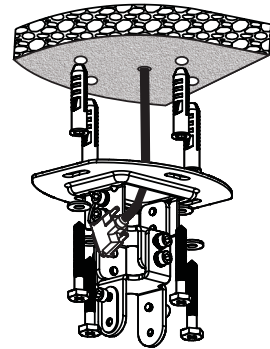
Art. No.: BP0057



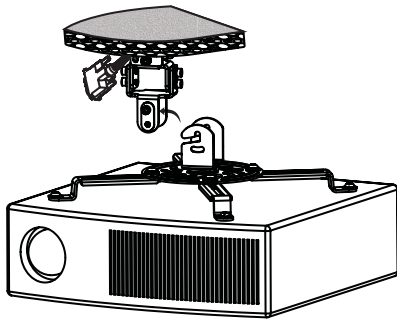
1



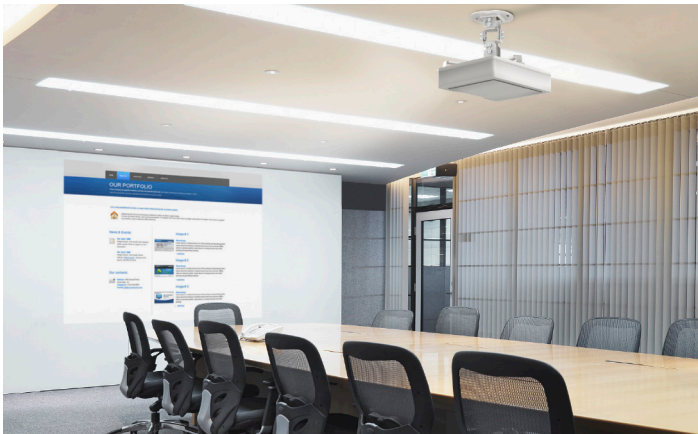
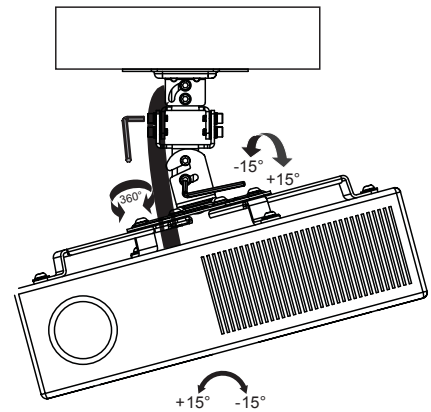
2



3



4



RoHS  
compliant

\* The specifications and pictures are subject to change without notice.  
\* All trade names referenced are the registered trademark of their respective owners.



BP0057



4 052792 048186

Made in China

Best Connectivity

# LogiLink®

## Universal Ceiling Projector Mount, 150mm

Art. No.: BP0057



### Specification:

Material	Steel
Mounting Range	54-320mm
Rated Load	25kg (55lbs)
Tilt	-15° ~15°
Swivel	-15°~15°
Rotate	360°
Color	White
Product Dimensions	150 x 334 x 334mm



### Package Contents:

- » 1 x Projector Mount
- » 1 x Screw Package
- » 1 x User Manual

### Package Informations:

- » Packing Dimension: 220 x 135 x 105mm
- » Packing Weight: kg
- » Carton Dimension: 460 x 440 x 285mm
- » Carton Q'ty: 16pcs
- » Carton Weight: 19.9kg



\* The specifications and pictures are subject to change without notice.  
\*All trade names referenced are the registered namework of their respective owners.



## X-ON Electronics

Largest Supplier of Electrical and Electronic Components

*Click to view similar products for [Soldering Workstation Equipment](#) category:*

*Click to view products by [Logilink](#) manufacturer:*

Other Similar products are found below :

[FP-BVX](#) [GS1116](#) [2072](#) [BH-010](#) [AC-TX001-4](#) [CA0202](#) [CA0201](#) [AC-TX002-2](#) [MFR-CA3](#) [WXD2N](#) [Q-7100-9000](#) [35456](#) [T0051514699N](#)  
[35457](#) [35450](#) [WS2-NS](#) [T0051512299N](#) [ALFA](#) [T0058757898](#) [T0058768762](#) [T0058744845N](#) [T0051512199N](#) [BL12](#) [145-2000-ESDN](#)  
[T0058758721N](#) [T0058768727N](#) [T0058716743](#) [WXD2020N](#) [T0058768725N](#) [BP0027](#) [CLMU-A8](#) [0352830](#) [FAE1-2A](#) [JBC-JNASE-2A](#)  
[QUICK 860DA](#) [0016344](#) [0T56](#) [CL-SFE/1](#) [FILTERS](#) [PX0410/03P/5055](#) [RA150](#) [10G.SA.0](#) [36A.SA](#) [3C.SA](#) [3.TA](#) [AT850D/P](#) [TMT-HA300](#)  
[TMT-PH200](#) [5-048](#) [5-050](#) [5-051](#)