

LogiLink®

Fixed TV Wall Mount for 13"-27" TV

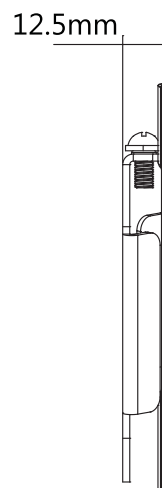
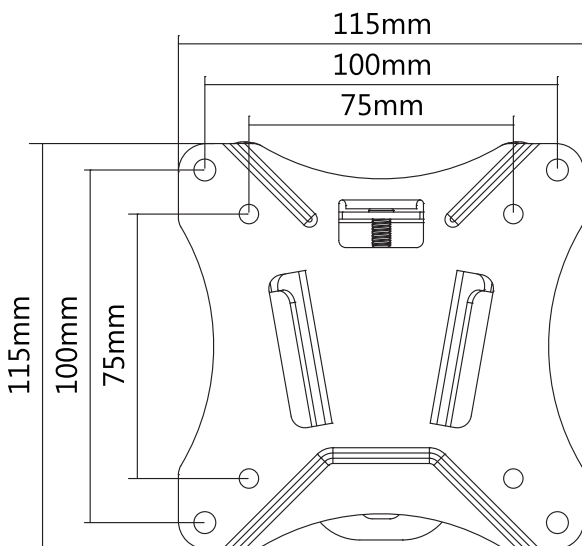
Art. No.: BP0073



Ultra slim with 2-pieces easy installation design, compatible with VESA standard max. 100x100.

Features:

- » Super strong mounting brackets: solid-reinforced cold steel, durable product with maximum capacity of 25kg
- » Ultra Slim just 12.5mm from the wall
- » Compatible with VESA 75x75mm, 100x100mm
- » Easy to install
- » Fit for 13-27 inch LED, LCD, plasma TV, PC Monitor screens



* The specifications and pictures are subject to change without notice.
* All trade names referenced are the registered namework of their respective owners.



BP0073



4 052792 054149

Made in China

Best Connectivity



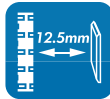
LogiLink®

Fixed TV Wall Mount for 13"-27" TV

Art. No.: BP0073

Specification:

Screen Size	13"-27"
Rated Load	25kg/55lbs
VESA	75x75, 100x100
Distance to the wall	12.5mm
Material	Steel
Color	Black
Product Size	115 x 115 x 12.5mm



Package Contents:

- » 1 x TV Wall Mount
- » 1 x Screw Package
- » 1 x User Manual

Package Information:

- » Packing Dimension: mm
- » Packing Weight: kg
- » Carton Dimension: mm
- » Carton Q'ty: pcs
- » Carton Weight: kg



This product is designed to be installed on wood stud walls, solid concrete walls or brick walls. Make sure that the supporting surface will safely support the combined weight of the equipment and all attached hardware and components. This product is intended for indoor use only. Using this product outdoors could lead to product failure and personal injury.



* The specifications and pictures are subject to change without notice.
* All trade names referenced are the registered trademark of their respective owners.



BP0073



4 052792 054149

Made in China

X-ON Electronics

Largest Supplier of Electrical and Electronic Components

Click to view similar products for [Logilink manufacturer](#):

Other Similar products are found below :

[AA0031](#) [AA0035](#) [AA0039B](#) [AA0039W](#) [AA0050](#) [AA0063](#) [AA0065](#) [AA0069](#) [AA0089](#) [AA0103](#) [AA0104](#) [AA0105](#) [AA0107](#) [AA0112](#)
[AA0113](#) [AA0115](#) [AA0119](#) [AA0120](#) [AA0121](#) [AA0122](#) [AA0153](#) [AD0001](#) [AD0002](#) [AD0008](#) [AD0009](#) [AD0010](#) [AD0011](#) [AD0013](#) [AD0014](#)
[AD0015](#) [AD0017](#) [AD0019](#) [AD0020](#) [AD0021](#) [AD0022](#) [AH0001](#) [AH0002](#) [AH0005](#) [AH0006](#) [AH0007](#) [AH0008](#) [AH0009](#) [AH0010](#) [AH0011](#)
[AH0012](#) [AH0014](#) [AH0015](#) [AU0002E](#) [AU0003C](#) [AU0004A](#)