

LogiLink®

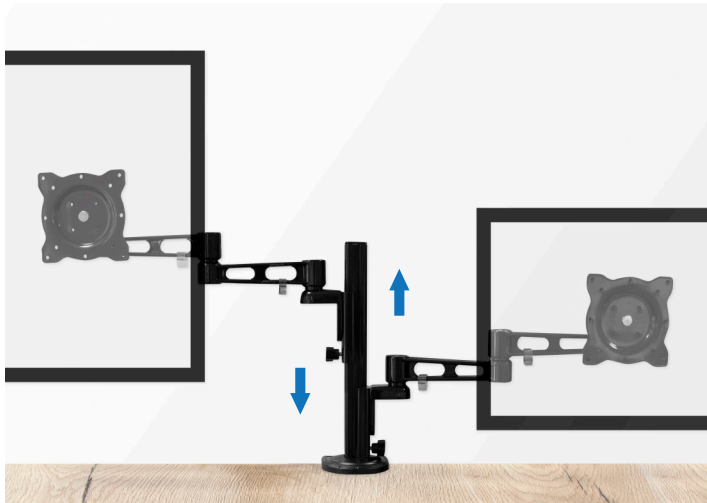
Aluminum Dual Monitor Desk Mount

For 13"-26" Monitor

Art. No.: BP0074

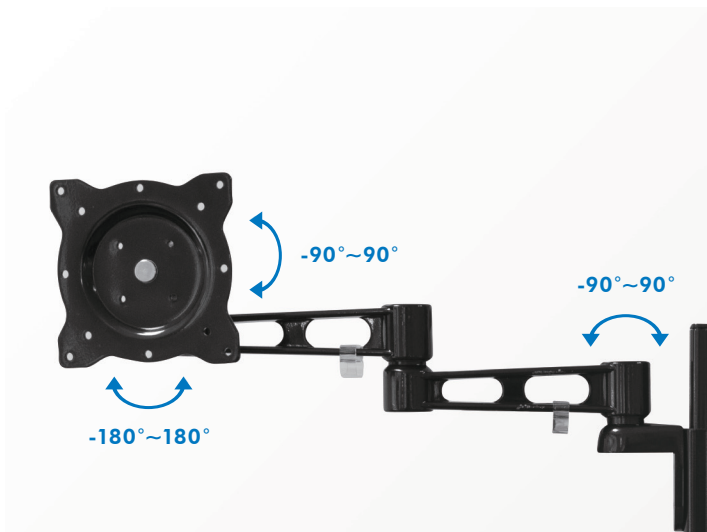


The elegant aluminum dual monitors allows you to adjust each arm's height individually, and extend, tilt, swivel the monitors for the best viewing angle.



Individual Height Adjustment

The two-arms are easily to adjust, able to swing into any position.



Exceptional Flexibility

Max. arm extension length is 358mm,
Tilt capacity: $-90^{\circ}\sim 90^{\circ}$,
Swivel capacity: $-90^{\circ}\sim 90^{\circ}$,
Rotation capacity: $-180^{\circ}\sim 180^{\circ}$

Best Connectivity



* The specifications and pictures are subject to change without notice.
*All trade names referenced are the registered namework of their respective owners.



BP0074



Made in Taiwan

LogiLink®

Aluminum Dual Monitor Desk Mount

For 13"-26" Monitor

Art. No.: BP0074



Cable Management

Easy cable management keeps everything organized.



C-Clamp

C-clamp for desktop mounting is included.

Best Connectivity



BP0074



4 052792 054170

Made in Taiwan



RoHS
compliant



* The specifications and pictures are subject to change without notice.
* All trade names referenced are the registered trademark of their respective owners.

LogiLink®

Aluminum Dual Monitor Desk Mount

For 13"-26" Monitor

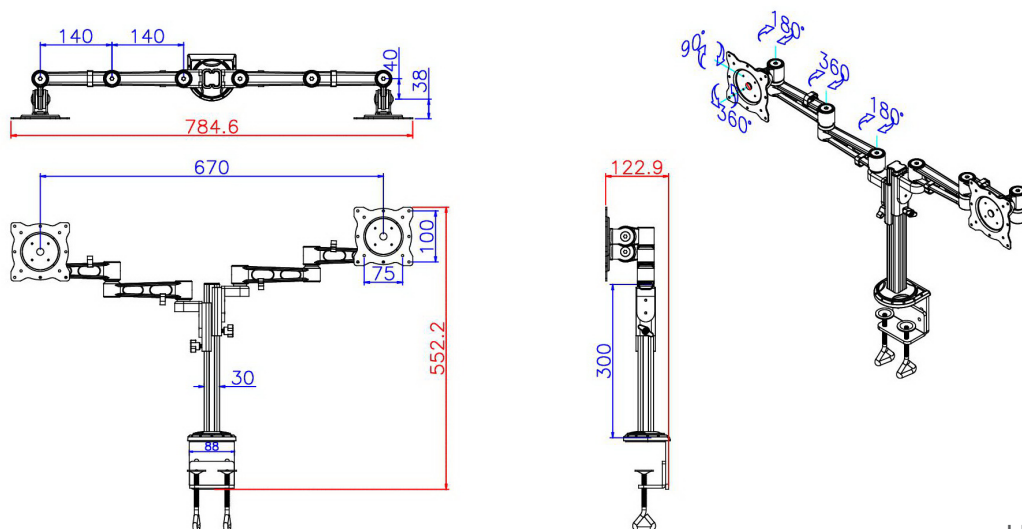
Art. No.: BP0074



Specification:

Screen Size	13"-26"
Weight Capacity	5kg/11lbs per arm
VESA	75x75, 100x100
Tilt	-90°~90°
Swivel	-90°~90°
Rotate	-180°~180°
Material	Aluminum
Arm Full Extension	358mm
Pole Height	300mm
Color	Black
Product Size	784.6 x 552.2 x 122.9mm

Technical Drawing:



Unit:mm



BP0074



4 052792 054170

Made in Taiwan



RoHS
compliant



* The specifications and pictures are subject to change without notice.
* All trade names referenced are the registered trademark of their respective owners.

Best Connectivity

LogiLink®

Aluminum Dual Monitor Desk Mount

For 13"-26" Monitor

Art. No.: BP0074



Fits
13"-26"
Monitor

VESA
Max.
100x100mm

Arm
Extend
358mm

rated
5KG
per arm

-180° / 180°
ROTATION

90° / -90°
TILT

90° / -90°
SWIVEL

Package Content:

- » 1 x Monitor Desk Mount
- » 1 x Screw Package
- » 1 x User Manual

Package Information:

- » Packing Dimension: 480 x 225 x 150mm
- » Packing Weight: 4.71kg
- » Carton Dimension: 510 x 255 x 357mm
- » Carton Q'ty: 2pcs
- » Carton Weight: 10.22kg



BP0074



4 052792 054170

Made in Taiwan



RoHS
compliant



* The specifications and pictures are subject to change without notice.
* All trade names referenced are the registered trademark of their respective owners.

Best Connectivity

X-ON Electronics

Largest Supplier of Electrical and Electronic Components

Click to view similar products for [Modules Accessories](#) category:

Click to view products by [Logilink](#) manufacturer:

Other Similar products are found below :

[7010-0001](#) [F1UL16RISER2](#) [PEX-CABLEAD-KIT-8732](#) [AX98219](#) [iRIS-1010-R10](#) [A1UL8RISER](#) [F1UJPMICRISER](#) [FHW1U16RISER](#) [20-101-0440](#) [MBCDROM](#) [AX61221TM](#) [VM-105](#) [1000-PM](#) [76000958](#) [XPC100A002-01-B](#) [690-1002](#) [96HD500G-ST-WD7KE](#) [AMO-R022E](#) [RK-210E-B](#) [cPCIS-6400UA/AC](#) [E226171106](#) [AX60501WB](#) [88606200030E](#) [96RACK-3-SS-CR-B1](#) [UTC-300P-M10E](#) [UNO-2000G-VMKAE](#) [SI-HDMI-EDID-EM](#) [96HD3T-ST-SG7K](#) [AMO-I013E](#) [S10A-93-S10A6-001](#) [PWS-870-UCOVER00E](#) [PWS-770-VMOUNT00E](#) [PWS-870-CHDC00E](#) [MIT-W101-ACCDSW01E](#) [MIC-75M40-00A1E](#) [MIC-75M13-00A1E](#) [FPM-1000T-SMKE](#) [ASMB-FF404-04A1E](#) [AMK-V008E](#) [AMK-V005E](#) [AMK-R004E](#) [9896025601E](#) [96HD1TB-ST-WD7KE1](#) [96FMCF-ST2ADAPTER1](#) [9680015843](#) [1960030475S200](#) [1931031500](#) [AHWKPTP12GBGB](#) [850-13106](#) [P4304XXMUXX](#)