

LogiLink®

Full Motion Monitor Desk Mount

For 17"-32" Flat/Curved Monitor

Art. No.: BP0108
BP0109



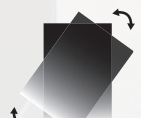
A convenient and useful solution for retail stores that allows sales associates to interact with shoppers easily. Also, great for restaurants, offices, libraries and more.



Tilt



Swivel



Rotation



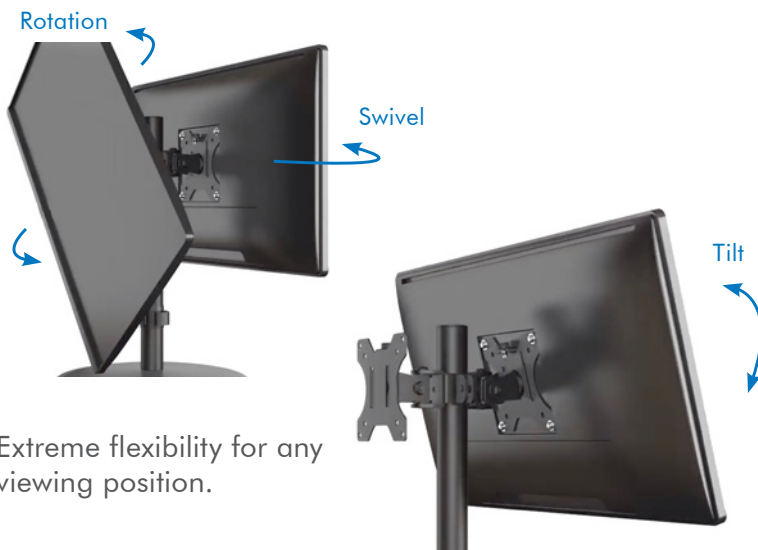
*The specifications and pictures are subject to change without prior notice.
*All trade names referenced are the registered trademarks of their respective owners.

LogiLink®

Full Motion Monitor Desk Mount

For 17"-32" Flat/Curved Monitor

Art. No.: BP0108
BP0109



Extreme flexibility for any viewing position.



Smooth height adjustment for helping create ideal viewing experiences.



Detachable VESA Plate for easy installation.



Grommet Mount



Bolt-Down Base Installation



Cable Management



*The specifications and pictures are subject to change without prior notice.
*All trade names referenced are the registered trademarks of their respective owners.

Best Connectivity



Specifications:

Best Connectivity



BP0108



BP0109

Screen Size	17"-32" flat/curved Monitors	17"-32" flat/curved Monitors
Monitor Quantity	1	2
Weight Capacity	8kg	8kg each
VESA Plate Compatible	75x75, 100x100	75x75, 100x100
Tilt	-15°~15°	-15°~15°
Swivel	-180°~180°	-15°~15°
Rotation	-180°~180°	-180°~180°
Pole Height	399mm	399mm
Arm Extension	36mm	52mm
Clamp Thickness	10-75mm	10-75mm
Material	Steel, Plastic	Steel, Plastic
Color	Black	Black
Dimensions	114 x 126 x 462mm	114 x 179 x 462mm
EAN Code	4052792060157	4052792060164



*The specifications and pictures are subject to change without prior notice.
 *All trade names referenced are the registered trademarks of their respective owners.

LogiLink®

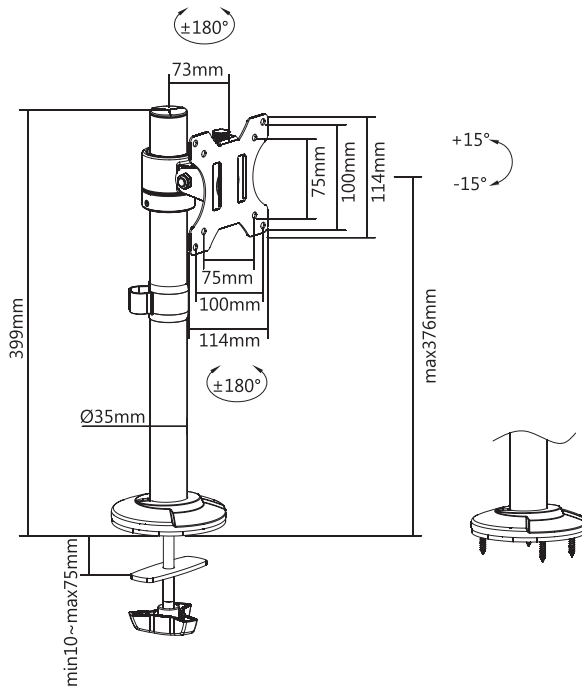
Full Motion Monitor Desk Mount

For 17"-32" Flat/Curved Monitor

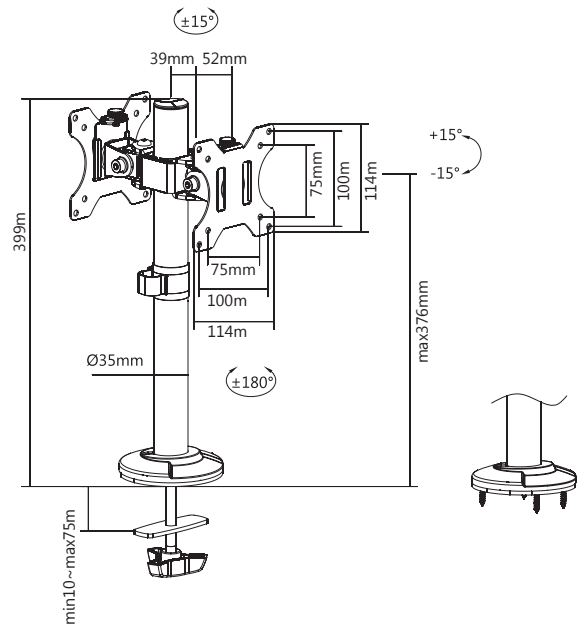
Art. No.: BP0108
BP0109



BP0108



BP0109



Package Contents:

- » 1 x Monitor Desk Mount
- » 1 x Screw Package
- » 1 x User Manual

Package Information:

Art-No.	Packing Dimension	Packing Weight	Carton Dimension	Carton Q'ty	Carton Weight
BP0108	440 x 210 x 75mm	2kg	455 x 440 x 320mm	8pcs	16.9kg
BP0109	440 x 210 x 75mm	2.6kg	455 x 440 x 320mm	8pcs	21.7kg



*The specifications and pictures are subject to change without prior notice.
*All trade names referenced are the registered trademarks of their respective owners.

X-ON Electronics

Largest Supplier of Electrical and Electronic Components

Click to view similar products for [Logilink manufacturer](#):

Other Similar products are found below :

[CV0036A](#) [FA01SC4](#) [FA02LC3](#) [FA04LC3](#) [BP0002](#) [NK0021](#) [NK0023](#) [NP0021](#) [NP0048](#) [NP0057](#) [LPS219](#) [CHB3105](#) [CP0141](#) [CQ2091U](#)
[CQ2096U](#) [CQ2099S](#) [CV0058](#) [UA0021D](#) [UA0131](#) [UA0216](#) [NK0024](#) [NP0017A](#) [NP0019B](#) [NP0053](#) [CHB1115](#) [CQ2102U](#) [CQ3087S](#)
[CA1022](#) [CHA0010](#) [CHA0030](#) [CHB003](#) [CQ4049S](#) [CQ4102S](#) [CQ5067S](#) [CU0072](#) [CV0021](#) [CV0041](#) [CV0054A](#) [CV0093](#) [CV0094](#) [ID0135](#)
[ID0137](#) [FB0001B](#) [FB2401B](#) [FB2402B](#) [FB3001](#) [FL0LC02](#) [FL2LC02](#) [FL2SC02](#) [FL3LC02](#)