

# LogiLink®

## Full Motion Monitor Desk Stand For 17"-32" Flat/Curved Monitor

Art. No.: BP0110  
BP0111



A convenient and useful solution for retail stores that allows sales associates to interact with shoppers easily. Also, great for restaurants, offices, libraries and more.



Tilt



Swivel



Rotation



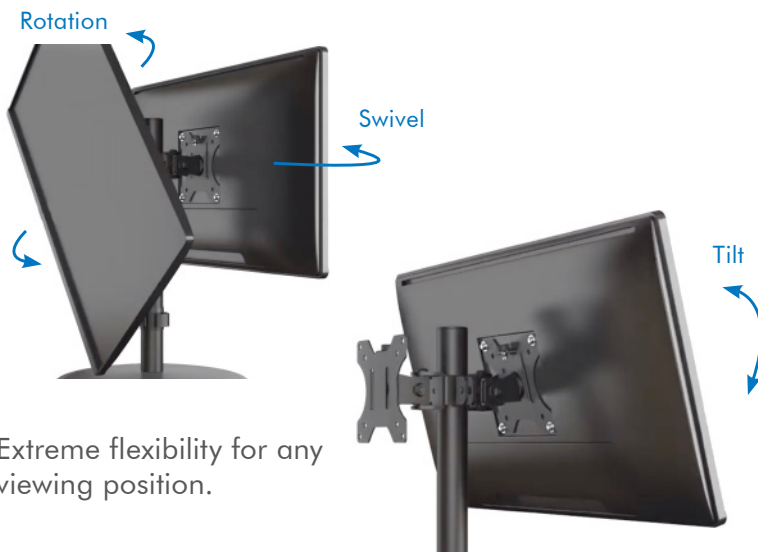
\*The specifications and pictures are subject to change without prior notice.  
\*All trade names referenced are the registered trademarks of their respective owners.

# LogiLink®

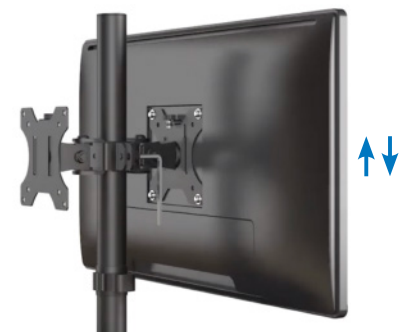
## Full Motion Monitor Desk Mount

For 17"-32" Flat/Curved Monitor

Art. No.: BP0110  
BP0111



Extreme flexibility for any viewing position.



Smooth height adjustment for helping create ideal viewing experiences.



Detachable VESA Plate for easy installation.



Cable management keeps everything organized.



\*The specifications and pictures are subject to change without prior notice.  
\*All trade names referenced are the registered trademarks of their respective owners.

Best Connectivity

# LogiLink®

## Full Motion Monitor Desk Mount

For 17"-32" Flat/Curved Monitor

Art. No.: BP0110  
BP0111



### Specifications:



BP0110



BP0111

Screen Size	17"-32" flat/curved Monitors	17"-32" flat/curved Monitors
Monitor Quantity	1	2
Weight Capacity	8kg	8kg each
VESA Plate Compatible	75x75, 100x100	75x75, 100x100
Tilt	-15°~15°	-15°~15°
Swivel	-180°~180°	-15°~15°
Rotation	-180°~180°	-180°~180°
Pole Height	411mm	411mm
Arm Extension	36mm	52mm
Material	Steel, Plastic	Steel, Plastic
Color	Black	Black
Dimensions	300 x 300 x 446mm	300 x 300 x 446mm
EAN Code	4052792060171	4052792060188



\*The specifications and pictures are subject to change without prior notice.  
\*All trade names referenced are the registered trademarks of their respective owners.

# LogiLink®

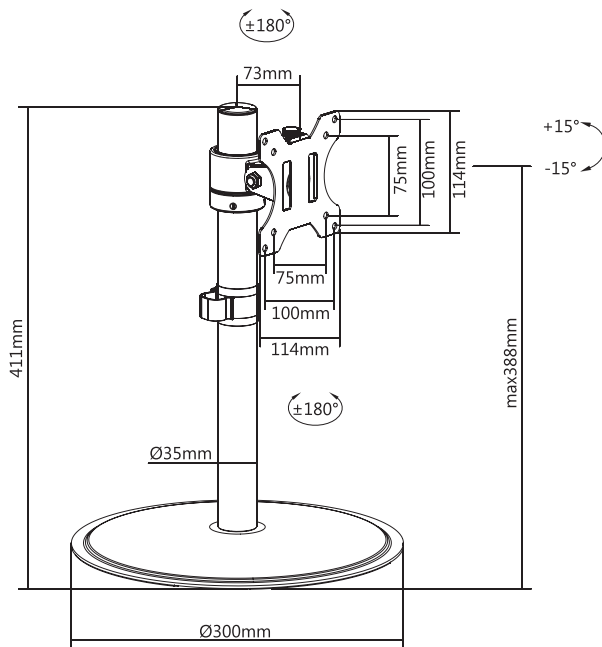
## Full Motion Monitor Desk Mount

For 17"-32" Flat/Curved Monitor

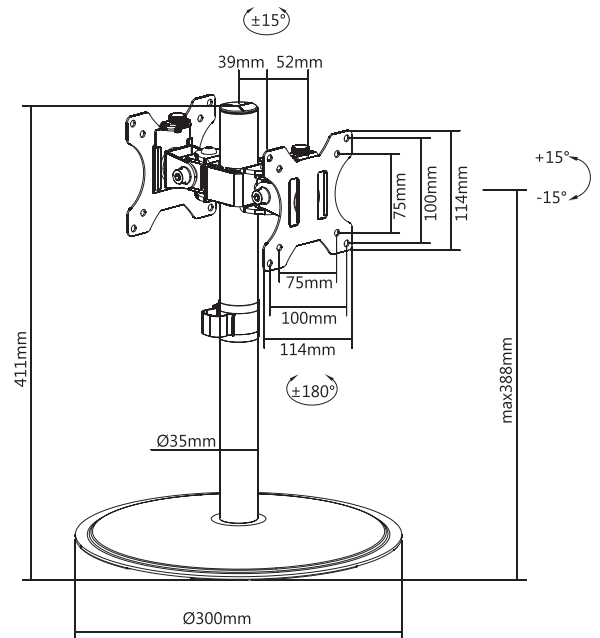
Art. No.: BP0110  
BP0111



BP0110



BP0111



### Package Contents:

- » 1 x Monitor Desk Mount
- » 1 x Screw Package
- » 1 x User Manual

### Package Information:

- » Packing Dimension: mm
- » Packing Weight: kg
- » Carton Dimension: mm
- » Carton Q'ty: pcs
- » Carton Weight: kg



\*The specifications and pictures are subject to change without prior notice.  
\*All trade names referenced are the registered trademarks of their respective owners.

Best Connectivity

## **X-ON Electronics**

Largest Supplier of Electrical and Electronic Components

*Click to view similar products for [Logilink manufacturer](#):*

Other Similar products are found below :

[CV0036A](#) [FA01SC4](#) [FA02LC3](#) [FA04LC3](#) [BP0002](#) [NK0021](#) [NK0023](#) [NP0021](#) [NP0048](#) [NP0057](#) [LPS219](#) [CHB3105](#) [CP0141](#) [CQ2091U](#)  
[CQ2096U](#) [CQ2099S](#) [UA0131](#) [UA0216](#) [NK0024](#) [NP0017A](#) [NP0019B](#) [NP0053](#) [CHB1115](#) [CQ2102U](#) [CQ3087S](#) [CA1022](#) [CHA0010](#)  
[CHA0030](#) [CHB003](#) [CQ4049S](#) [CQ4102S](#) [CU0072](#) [CV0041](#) [CV0054A](#) [CV0093](#) [CV0094](#) [ID0135](#) [ID0137](#) [FB0001B](#) [FB2401B](#) [FB2402B](#)  
[FB3001](#) [FL0LC02](#) [FL2LC02](#) [FL2SC02](#) [FL3LC02](#) [FL4LC02](#) [FL4SC02](#) [FP1LS05](#) [FP1LT05](#)