



# LogiLink®

## Full Motion TV Wall Mount

Art. No.: BP0114  
BP0115



Free up space while improving the overall design of your living room.



Tilt



Swivel



Extend

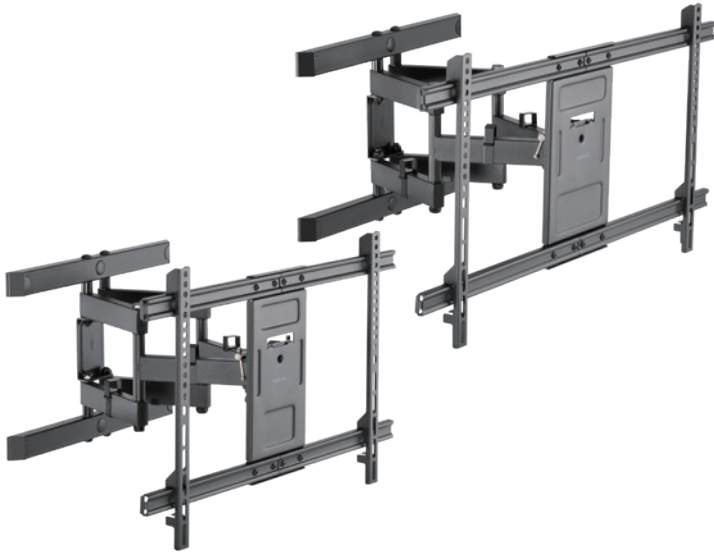


\*The specifications and pictures are subject to change without prior notice.  
\*All trade names referenced are the registered trademarks of their respective owners.

# LogiLink®

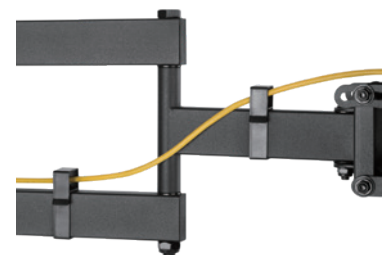
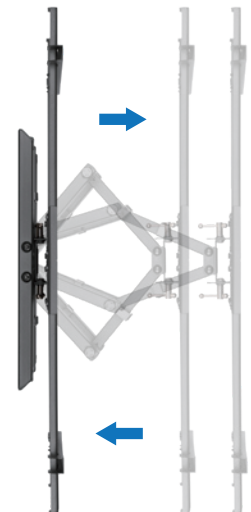
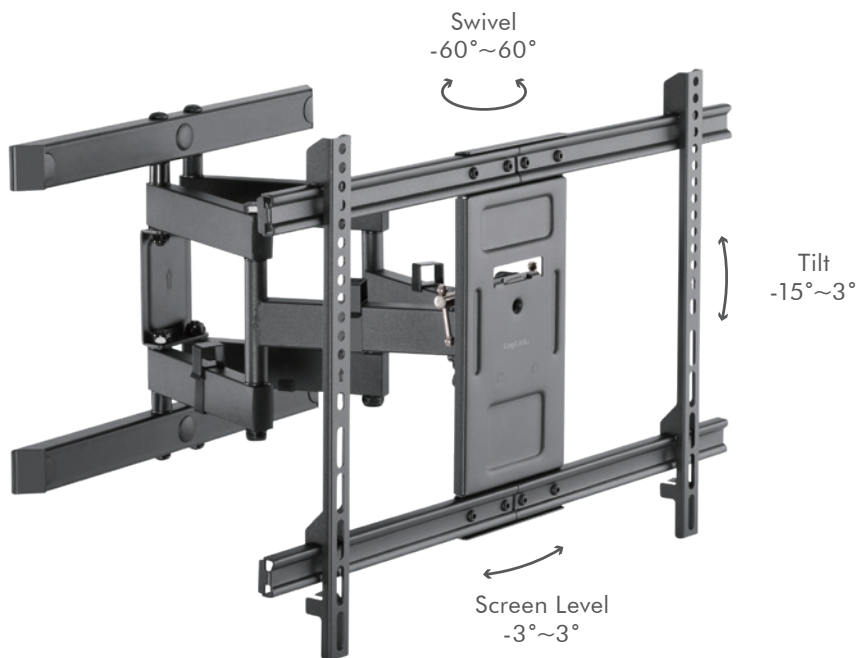
## Full Motion TV Wall Mount

Art. No.: BP0114  
BP0115



### Features:

- » Sturdy steel frame construction; a maximum capacity of 60kg
- » 77-428mm away from wall with tilting range: 3°~-15°, swivel range: 60°~-60°, and screen level: 3°~-3°
- » Built-in level adjustment ensures perfect positioning



Cable management keeps everything organized.



\*The specifications and pictures are subject to change without prior notice.  
\*All trade names referenced are the registered trademarks of their respective owners.

# LogiLink®

## Full Motion TV Wall Mount

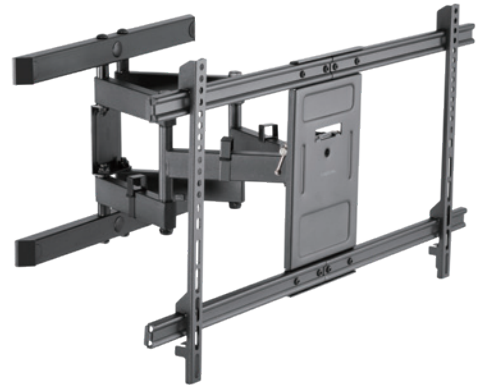


Art. No.: BP0114  
BP0115

### Specifications:



BP0114



BP0115

Screen Size	37"-80" flat/curved TVs	43"-90" flat/curved TVs
Weight Capacity	60kg	60kg
VESA Plate Compatible	200x200, 300x200, 300x300, 400x200, 400x300, 400x400, 600x400	300x200, 300x300, 400x200, 400x300, 400x400, 600x400, 800x400
Wall Clearance	77-428mm	77-428mm
Tilt	-15°~3°	-15°~3°
Swivel	-60°~60°	-60°~60°
Screen Level	-3°~3°	-3°~3°
Materials	Steel, Plastic, ABS	Steel, Plastic, ABS
Color	Black	Black
Dimensions	428 x 650 x 425mm	428 x 840 x 425mm
EAN Code	4052792060218	4052792060225



\*The specifications and pictures are subject to change without prior notice.  
\*All trade names referenced are the registered trademarks of their respective owners.

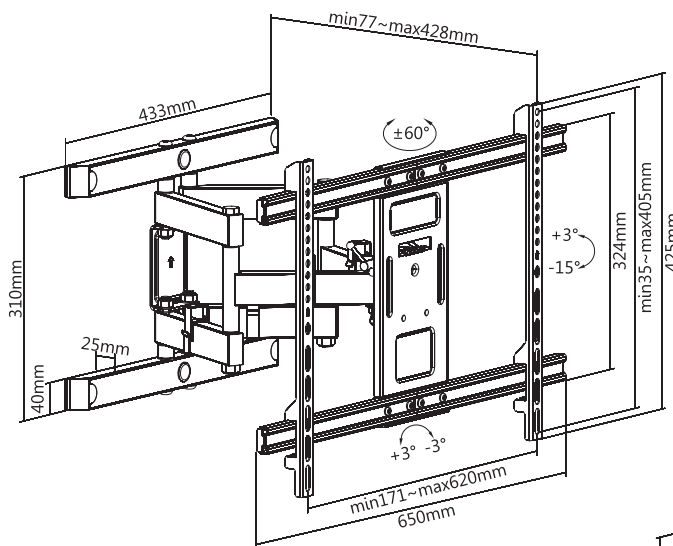
# LogiLink®

## Full Motion TV Wall Mount

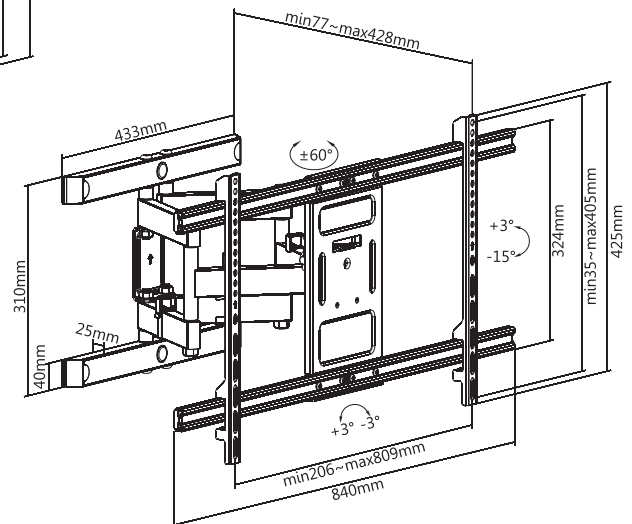
Art. No.: BP0114  
BP0115



**BP0114**



**BP0115**



**Package Contents:**

- » 1 x TV Wall Mount
- » 1 x Screw Package
- » 1 x User Manual

**Package Information:**

Art-No.	Packing Dimension	Packing Weight	Carton Dimension	Carton Q'ty	Carton Weight
BP0114	347 x 442 x 85mm	8kg	455 x 360 x 190mm	2pcs	15.8kg
BP0115	347 x 442 x 85mm	8.5kg	455 x 360 x 190mm	2pcs	18kg



\*The specifications and pictures are subject to change without prior notice.  
\*All trade names referenced are the registered trademarks of their respective owners.

## **X-ON Electronics**

Largest Supplier of Electrical and Electronic Components

*Click to view similar products for [Logilink manufacturer](#):*

Other Similar products are found below :

[AA0031](#) [AA0035](#) [AA0039B](#) [AA0039W](#) [AA0050](#) [AA0063](#) [AA0065](#) [AA0069](#) [AA0089](#) [AA0103](#) [AA0104](#) [AA0105](#) [AA0107](#) [AA0112](#)  
[AA0113](#) [AA0115](#) [AA0119](#) [AA0120](#) [AA0121](#) [AA0122](#) [AA0153](#) [AD0001](#) [AD0002](#) [AD0008](#) [AD0009](#) [AD0010](#) [AD0011](#) [AD0013](#) [AD0014](#)  
[AD0015](#) [AD0017](#) [AD0019](#) [AD0020](#) [AD0021](#) [AD0022](#) [AH0001](#) [AH0002](#) [AH0005](#) [AH0006](#) [AH0007](#) [AH0008](#) [AH0009](#) [AH0010](#) [AH0011](#)  
[AH0012](#) [AH0014](#) [AH0015](#) [AU0002E](#) [AU0003C](#) [AU0004A](#)