

LogiLink®

Monitor Wall Mount with Gas Spring Arm

Art. No.: BP0144
BP0145
BP0146



Ergonomic Design for Home or Office

This Monitor Wall Mount with Gas Spring Arm series are great for saving desk space and increasing work comfort. Built-in gas springs for smooth movement; constructed from durable steel and aluminum to support monitor weights up to 9 kg per arm. Ergonomic adjustment includes swivel, tilt, rotation and full arm extension for the best viewing angles.



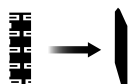
*The specifications and pictures are subject to change without prior notice.
*All trade names referenced are the registered trademarks of their respective owners.



Tilt



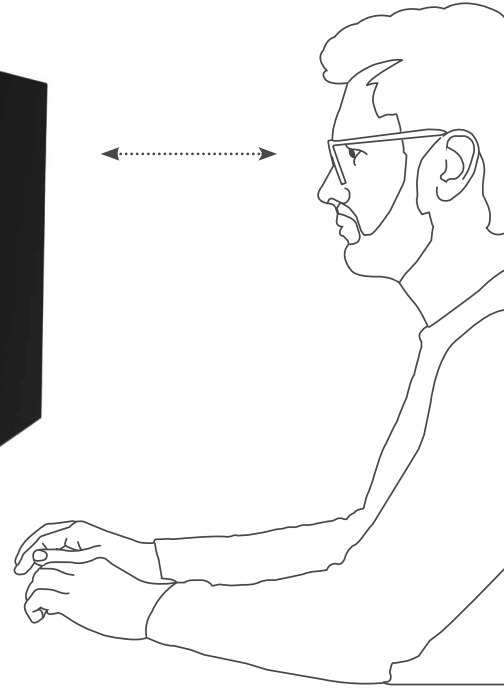
Swivel



Extend

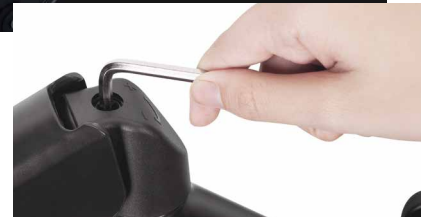
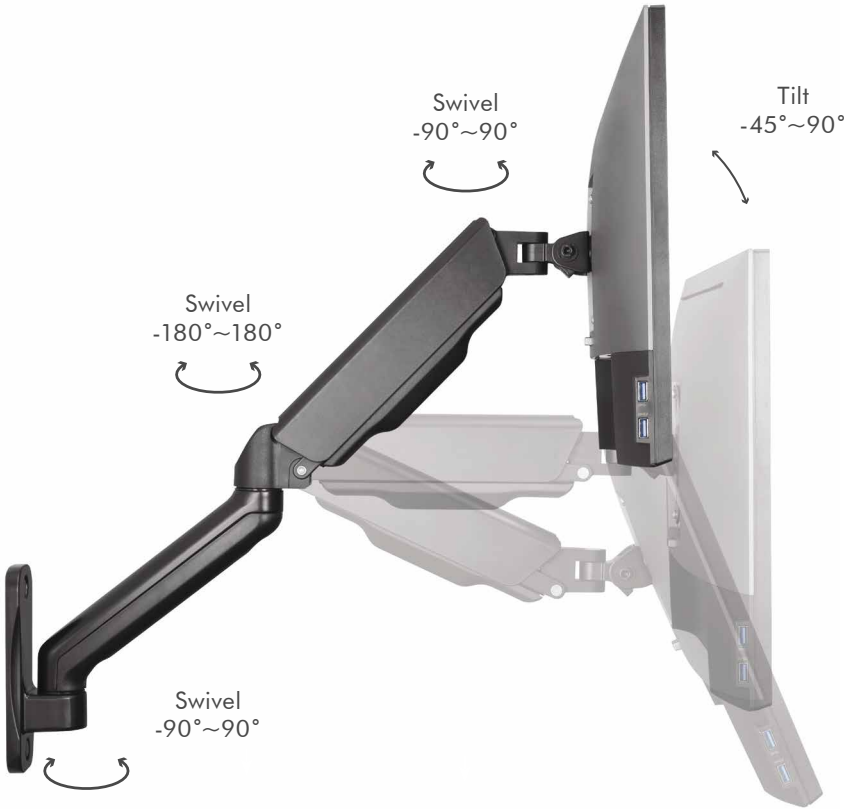
Clutter-free & Ergonomic Design

Frees up your desktop, easily take the strain off of your neck and create better posture to increase work productivity.



Smooth & Flexible Adjustment

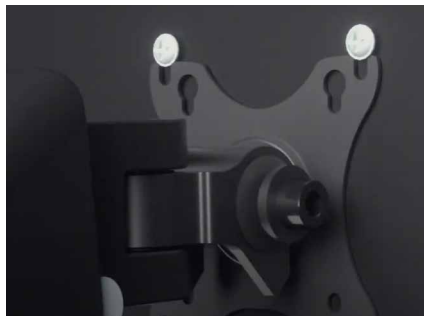
Built-in gas spring mechanism offers exceptional range of motion to effortlessly swivel and tilt to your desired position.



Built-in spring tension gauge for weight adjustment.

Quick & Easy Installation

Effortlessly mount your monitor using the Keyhole Pattern.



*The specifications and pictures are subject to change without prior notice.
*All trade names referenced are the registered trademarks of their respective owners.



Durable & Steady Construction

The high-quality mount ensures durability and stability; supporting monitor weights up to 9 kg. Integrated cable management creates a clean and tidy appearance.



Specifications:



BP0144 for single monitor



BP0145 for single monitor

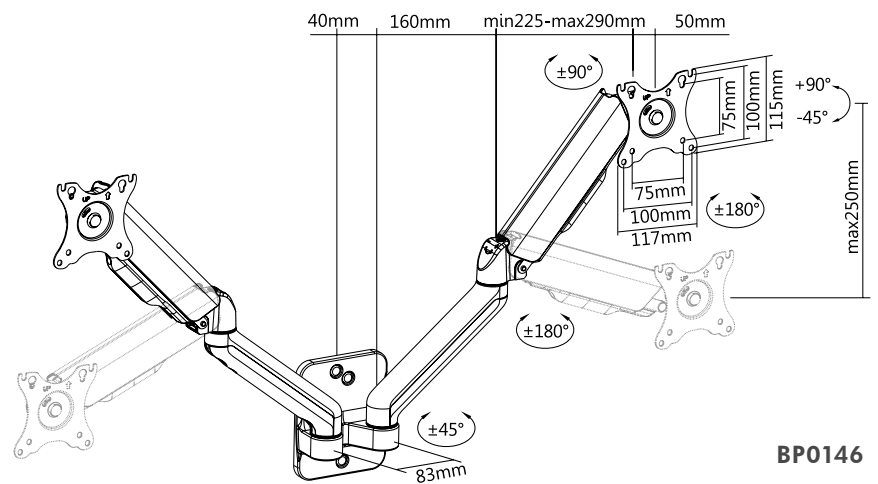
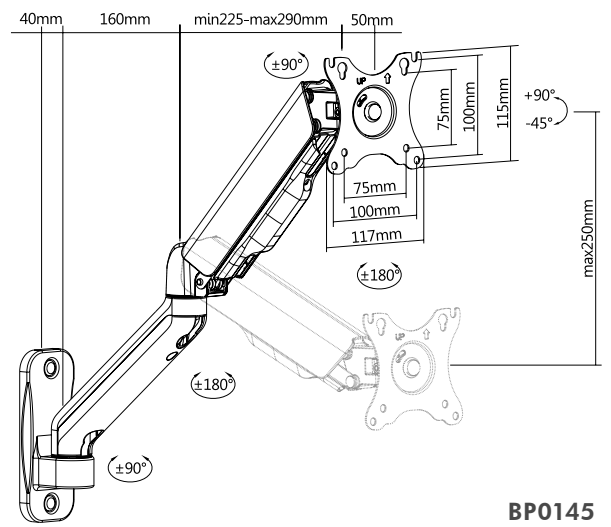
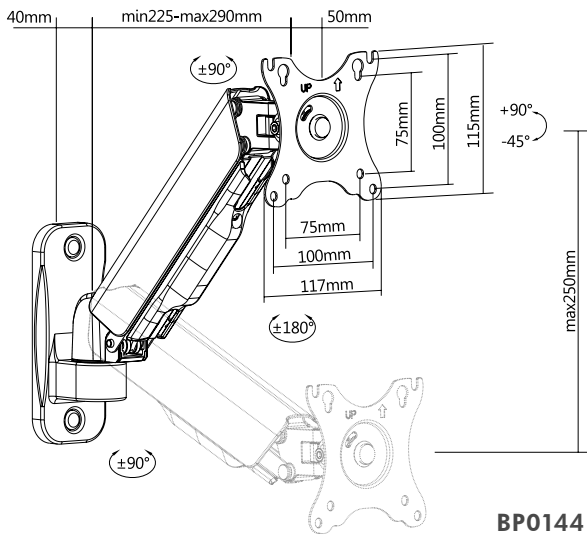


BP0146 for dual monitors

Screen Size	17"-32" flat/curved Monitors	17"-32" flat/curved Monitors	17"-32" flat/curved Monitors
Weight Capacity	2-9 kg	2-9 kg	2-9 kg (per screen)
VESA Plate Compatible	75x75, 100x100 mm	75x75, 100x100 mm	75x75, 100x100 mm
Wall Clearance	90-380 mm	90-540 mm	90-540 mm
Arm Full Extension	290 mm	450 mm	450 mm
Tilt	-45°-90°	-45°-90°	-45°-90°
Swivel	-90°-90°	-90°-90°	-90°-90°
Screen Rotation	360°	360°	360°
Materials	Aluminum, Plastic, Steel	Aluminum, Plastic, Steel	Aluminum, Plastic, Steel
Color	Black	Black	Black
Dimensions	117x315x321 mm	117x475x491 mm	970x90x497 mm
EAN Code	4052792063127	4052792063134	4052792063141



*The specifications and pictures are subject to change without prior notice.
 *All trade names referenced are the registered trademarks of their respective owners.



Package Contents:

- » 1x Monitor Wall Mount
- » 1x Screw Package
- » 1x User Manual

Package Information:

Art-No.	Packing Dimension	Packing Weight	Carton Dimension	Carton Q'ty	Carton Weight
BP0144	440x195x90 mm	1.76 kg	440x195x90 mm	1 pcs	1.76 kg
BP0145	405x305x90 mm	2.24 kg	405x305x90 mm	1 pcs	2.24 kg
BP0146	405x290x155 mm	4.1 kg	405x290x155 mm	1 pcs	4.1 kg



*The specifications and pictures are subject to change without prior notice.
 *All trade names referenced are the registered trademarks of their respective owners.

X-ON Electronics

Largest Supplier of Electrical and Electronic Components

Click to view similar products for [Logilink manufacturer](#):

Other Similar products are found below :

[AA0031](#) [AA0035](#) [AA0039B](#) [AA0039W](#) [AA0050](#) [AA0063](#) [AA0065](#) [AA0069](#) [AA0089](#) [AA0103](#) [AA0104](#) [AA0105](#) [AA0107](#) [AA0112](#)
[AA0113](#) [AA0115](#) [AA0119](#) [AA0120](#) [AA0121](#) [AA0122](#) [AA0153](#) [AD0001](#) [AD0002](#) [AD0008](#) [AD0009](#) [AD0010](#) [AD0011](#) [AD0013](#) [AD0014](#)
[AD0015](#) [AD0017](#) [AD0019](#) [AD0020](#) [AD0021](#) [AD0022](#) [AH0001](#) [AH0002](#) [AH0005](#) [AH0006](#) [AH0007](#) [AH0008](#) [AH0009](#) [AH0010](#) [AH0011](#)
[AH0012](#) [AH0014](#) [AH0015](#) [AU0002E](#) [AU0003C](#) [AU0004A](#)