

# LogiLink®



## Triple Monitor Desk Stand with Adjustable Arms

For 17–27" Monitors

Art. No.: BP0174

### Raise Your Monitors In Style

Provide your workplace in a neat and clean condition with Triple Monitor Stand. Also allows you to extend, tilt, rotate and swivel for the best viewing experience.



\*The specifications and pictures are subject to change without prior notice.  
\*All trade names referenced are the registered trademarks of their respective owners.



BP0174



4 052792 071207

Made in China



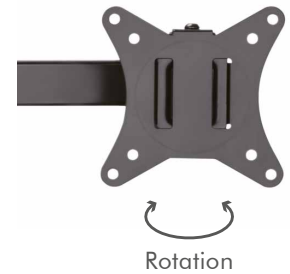
## Freestanding Modern Stand

With durable steel structure, this monitor stand can support three 17–27" monitors up to 7 kg per arm.



## Smooth & Flexible Adjustments

Offers exceptional range of motion and height adjustments. Easily rotate, swivel & tilt for your desired viewing angle.



## Easy Installation

Quick setup with detachable VESA plate.

## Convenient Phone Holder

Additional phone slot located on the base, easy to see the phone call or message while working.



## Cable Management

Cable clips to route cables to reduce clutter for a cleaner look and more organized place.

## Specifications:

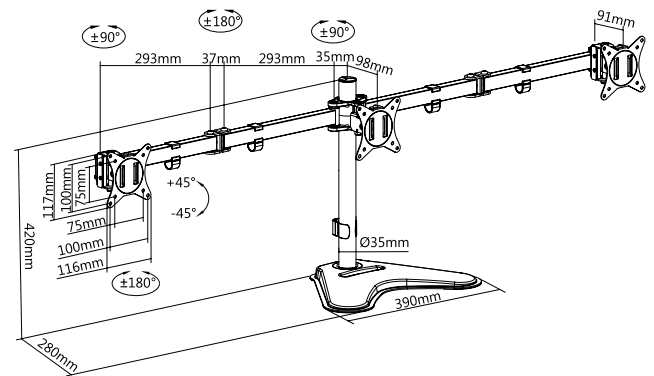
|                          |                          |
|--------------------------|--------------------------|
| Screen Size              | 17–27"                   |
| Screen Quantity          | 3                        |
| Weight Capacity          | Up to 7 kg per arm       |
| VESA Compatible          | 75x75, 100x100           |
| Tilt Range               | +45°/-45°                |
| Swivel Range             | +90°/-90°                |
| Screen Rotation          | +180°/-180°              |
| Arm Full Extension       | 65.8 cm                  |
| Pole Height              | 42 cm                    |
| Quick Release VESA Plate | Yes                      |
| Cable Management         | Yes                      |
| Materials                | Aluminum, steel, plastic |
| Installation             | Freestanding             |
| Dimensions               | 14.3 x 28 x 44.5 cm      |
| Color                    | Black                    |

## Package Contents:

- » 1 x Monitor Stand
- » 1 x Screw Package
- » 1 x User Manual

## Package Information:

- » Packing Dimension: 435 x 305 x 125 mm
- » Packing Weight: 6.31 kg
- » Carton Dimension: 435 x 305 x 125 mm
- » Carton Q'ty: 1 pc
- » Carton Weight: 6.31 kg



## X-ON Electronics

Largest Supplier of Electrical and Electronic Components

*Click to view similar products for [Mounting Fixings](#) category:*

*Click to view products by [Logilink](#) manufacturer:*

Other Similar products are found below :

[5912235-1 REV](#) - [71-215091-8S](#) [71-344699-4S](#) [75-69211-3P](#) [75-69214-6P](#) [75-69224-28P](#) [75-69232-17S](#) [7717-8DAP](#) [85043GULPR](#)  
[85048GBESR](#) [PMS27488-001-01](#) [1-18023-0](#) [H-118-2](#) [1301790551](#) [1302263564](#) [BR16A](#) [NT20SATT01](#) [22594-8](#) [89078GBESR](#)  
[9150700000](#) [SF4011-60101](#) [1671](#) [1855-54](#) [1996901-1](#) [2079844-1](#) [2193](#) [2518](#) [H-118-1](#) [BACC47CN2S](#) [LF9Z-1SB22](#) [WMLX-109](#)  
[ELXA051G1](#) [2547](#) [1453315-11](#) [71-452350-8S](#) [71-572965-8S](#) [75-69214-7J](#) [75-69224-28G](#) [75-69811-3S](#) [H373247-15](#) [81517301](#) [P954-1](#)  
[860099-1](#) [1189-90](#) [1106352-2](#) [M39014/01-1570](#) [30809-700](#) [6024](#) [197-007](#) [BRKT-ND](#)